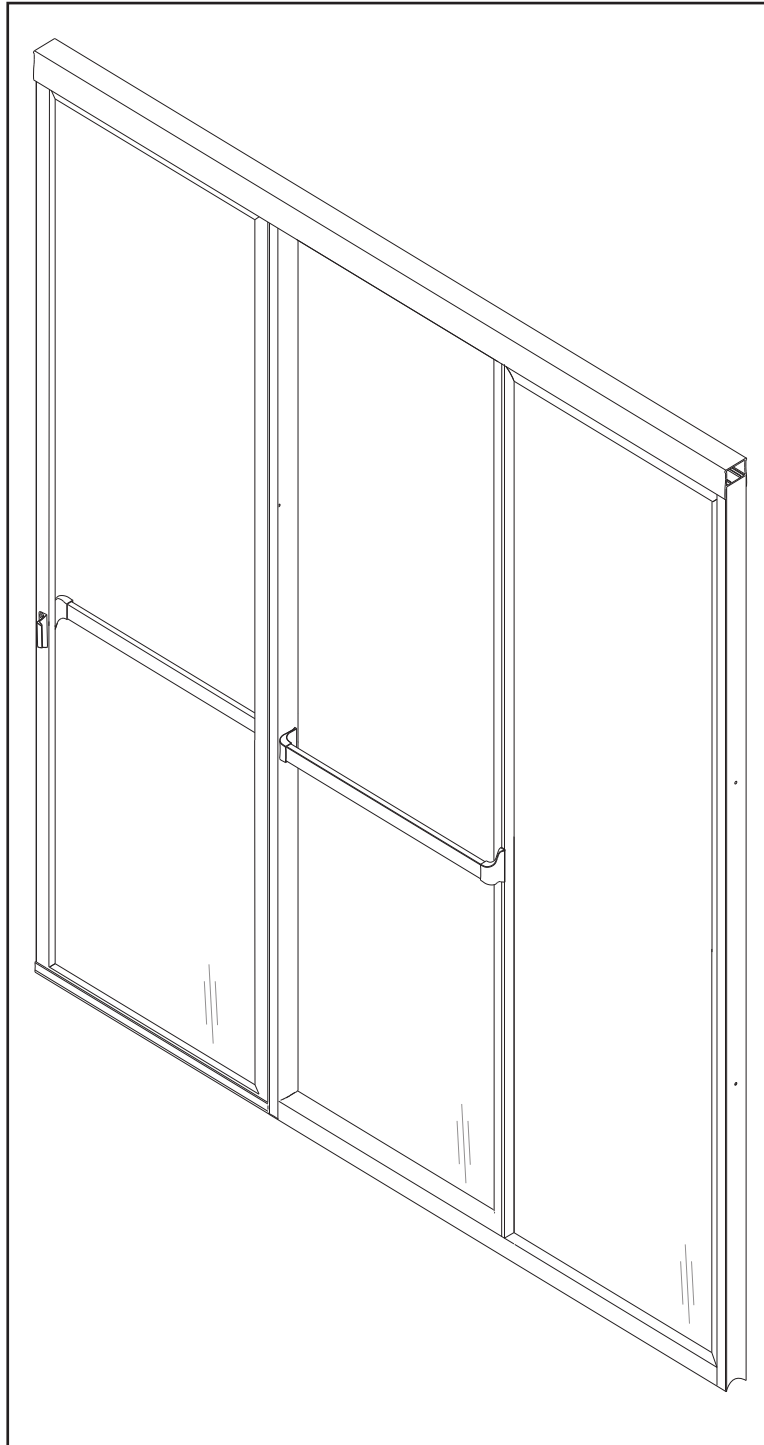
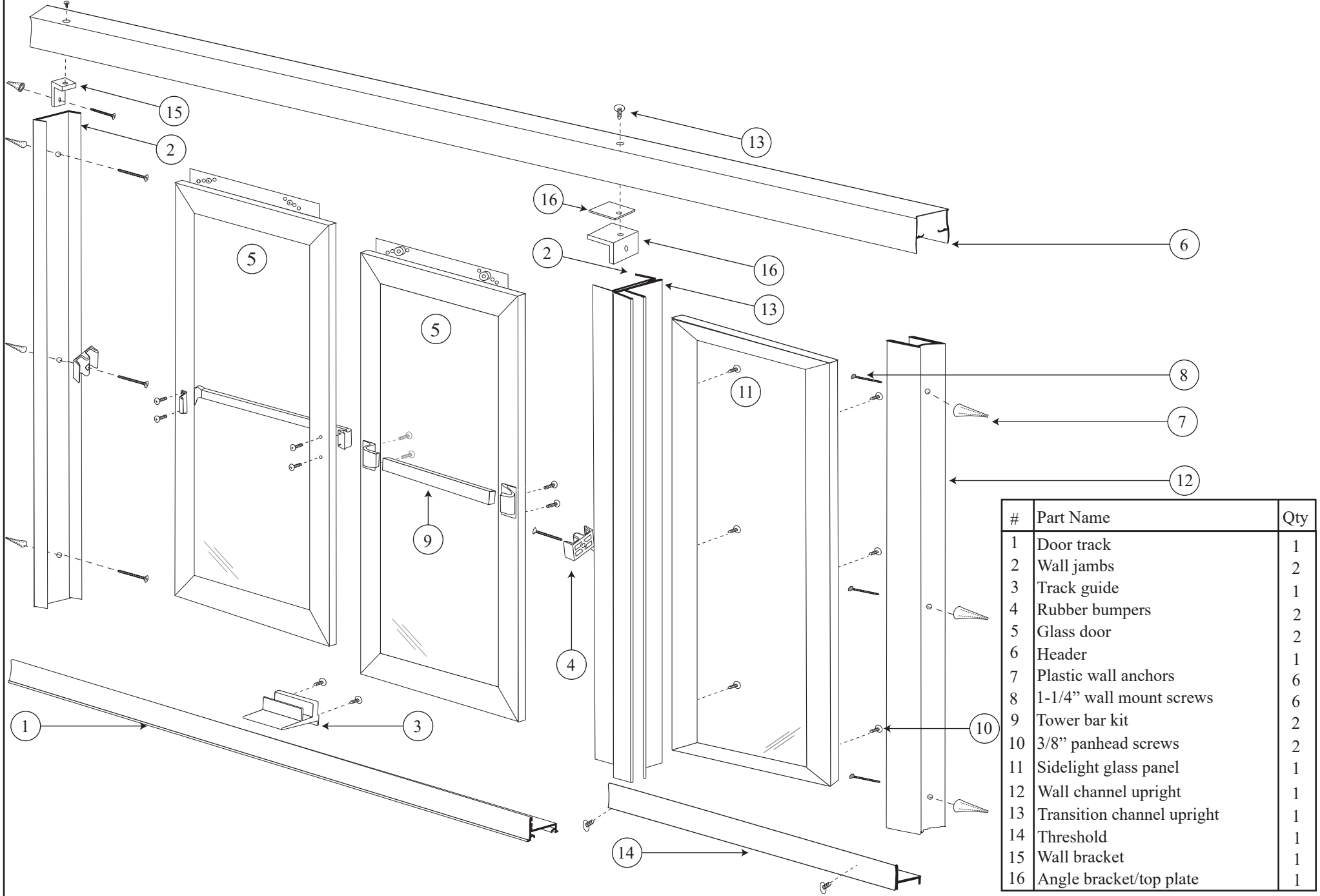


L-670
Lucette Framed Sliding Door
Installation Guide

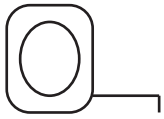


Detailed diagram of L-670 components

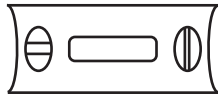


#	Part Name	Qty
1	Door track	1
2	Wall jacks	2
3	Track guide	1
4	Rubber bumpers	2
5	Glass door	2
6	Header	1
7	Plastic wall anchors	6
8	1-1/4" wall mount screws	6
9	Tower bar kit	2
10	3/8" panhead screws	2
11	Sidelight glass panel	1
12	Wall channel upright	1
13	Transition channel upright	1
14	Threshold	1
15	Wall bracket	1
16	Angle bracket/top plate	1

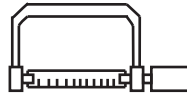
Tools required



Tape Measure



Level



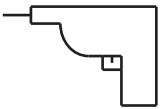
Hacksaw



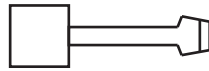
Safety glasses



Drill bits (2) (#32 metal bit,
3/16" carbide masonry bit)



Drill



Flat head and
Phillips head
Screwdriver



Pencil/Marker



Caulking gun



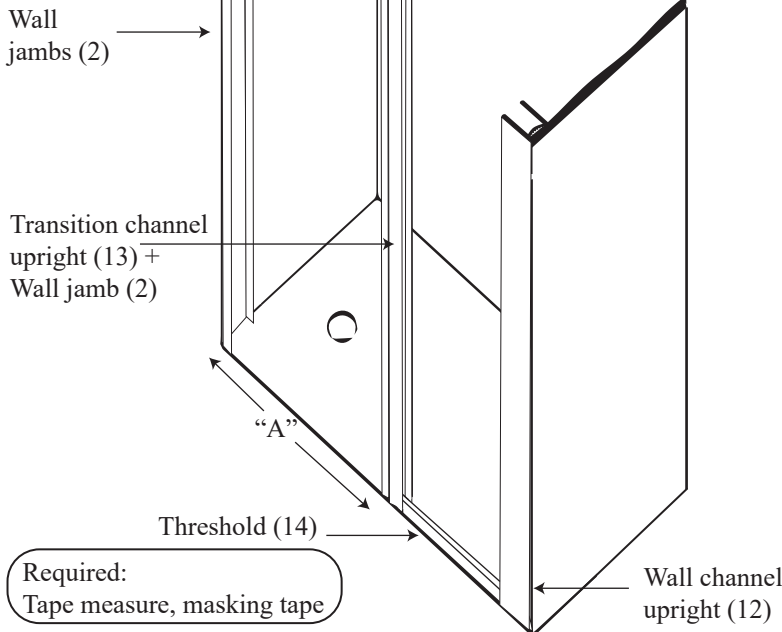
Masking tape



WARNINGS

- **Before starting, please read instructions carefully and thoroughly; then proceed step by step.
- **Please wear safety glasses and safety gloves whenever drilling or cutting tile or handling metal/glass parts.
- **When drilling through tile, carefully break through glazed surface only with sharp tool and then drill slowly.
- **Wall uprights must be installed level and plumb. Do not follow grout lines.
- **To insure complete customer satisfaction Century Bathworks recommends installation by a professional.
- **Risk of injury or product damage. Two people should perform this installation.
- **Do not cut the top and bottom track the same length for this installation.
- **Please carefully unpack all parts for your unit as listed on previous page and also check that you have all the tools as listed above.
- **If any parts are missing or damaged, please contact Century Bathworks or your dealer for replacements.

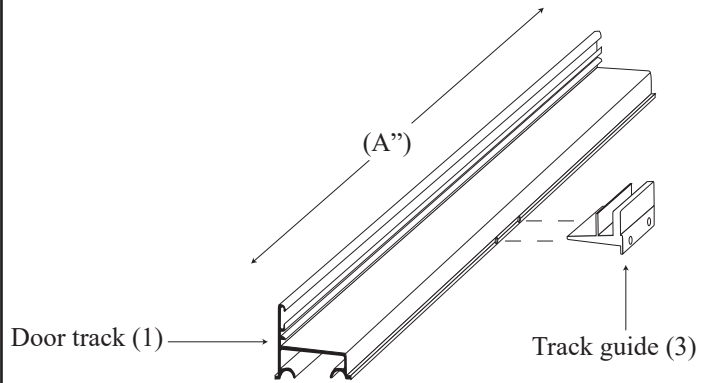
1



Required:
Tape measure, masking tape

- Place the above parts as shown and tape into place. Tape transition channel at the bottom or let someone hold it temporarily.
- Note distance "A" between the inside of the wall jambs at the base.
- ** Short leg side of threshold faces towards the bathing area.

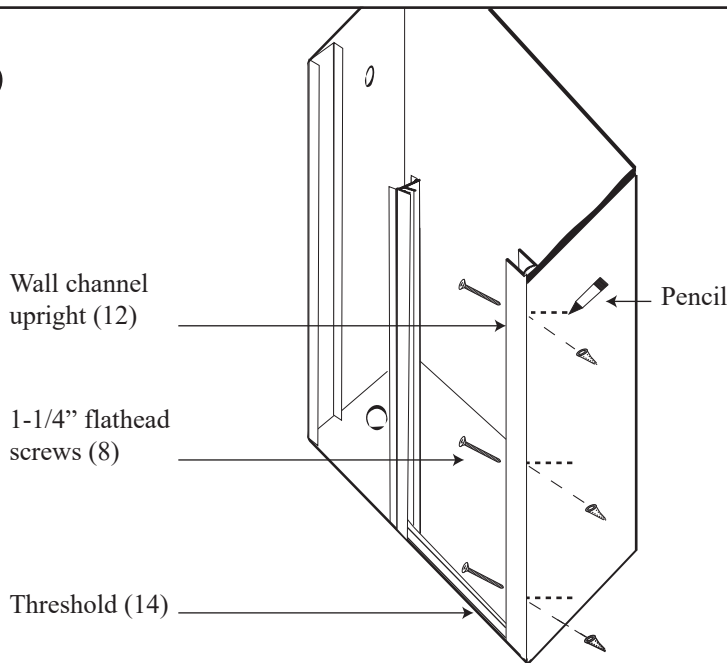
2



Required:
Tape measure, hacksaw, pencil, drill

- Consider the length "A" and cut the door track. Locate the center of door track and position track guide.
- With the guide in position, mark holes and drill using #32 drill bit through the inside leg. (Do not screw until step 12)

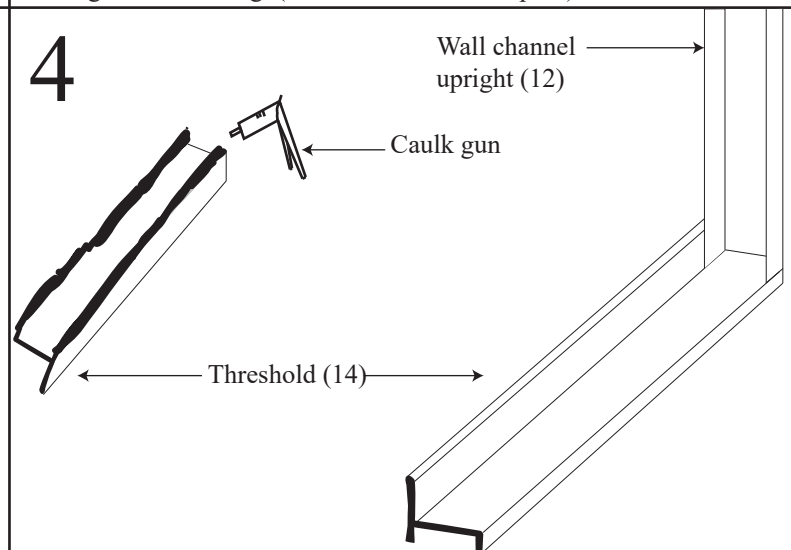
3



Required:
Pencil, drill, masking tape, drill, screwdriver

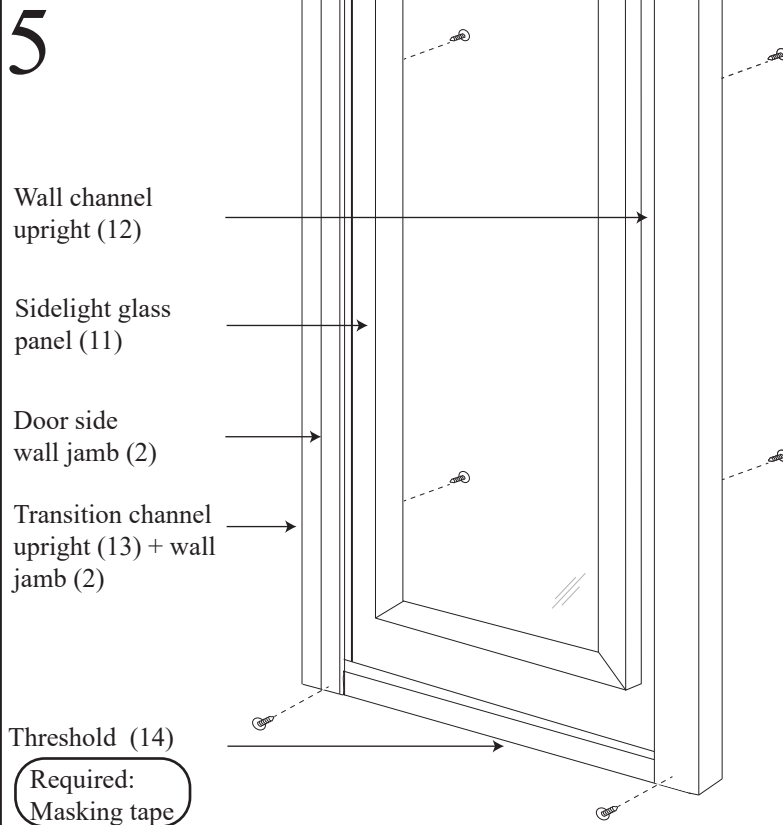
- Mark holes on the wall through wall channel upright. Remove wall channel upright and threshold. Drill holes with 3/16" carbide masonry drill bit. Insert plastic wall anchors. Remove all wall debris.

4

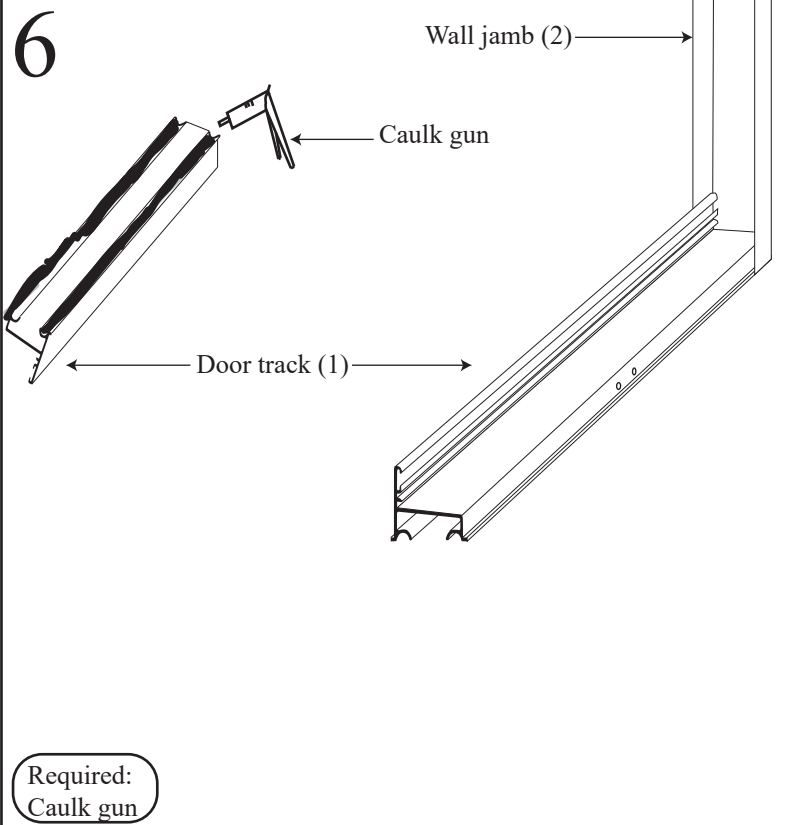


Required:
Caulk gun, screwdriver

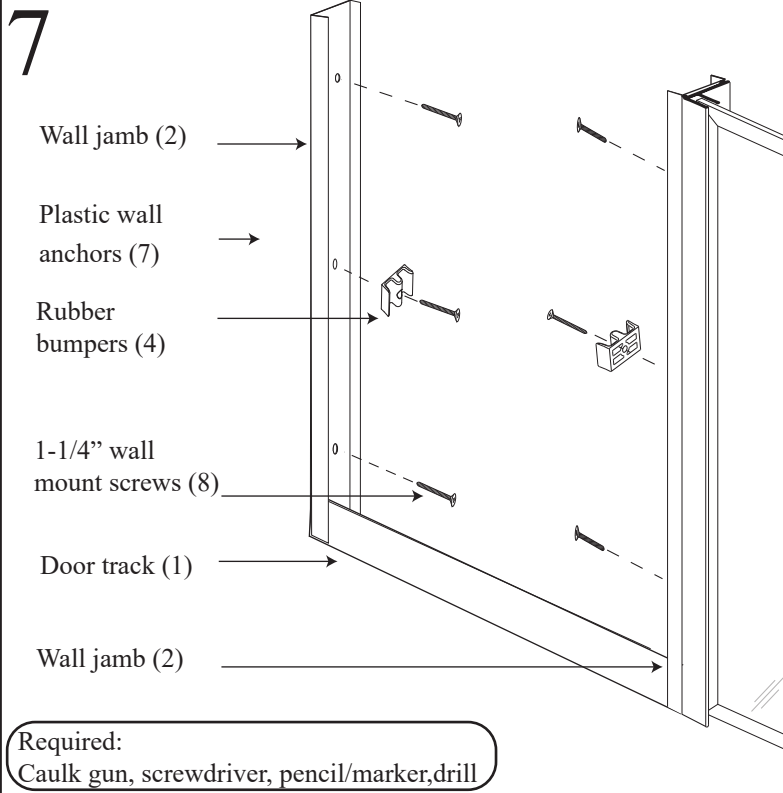
- Apply thin ribbon of caulk to caulking channels on bottom threshold.
- After caulking, place threshold on the base surface and wall channel upright on top of it.
- Screw wall channel upright into place with 1-1/4" flathead screws.



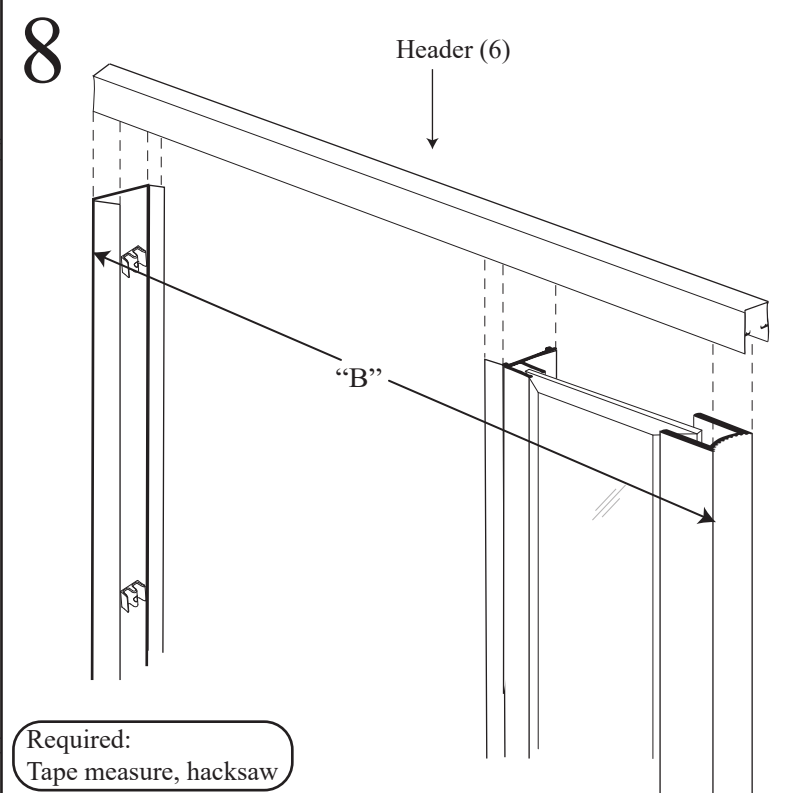
- Place sidelight glass panel inside transition channel upright and wall channel upright.
- Mark, drill and screw threshold+transition channel upright/wall channel upright and also panel+ wall channel + transition channel upright.



- Apply a thin ribbon of caulk to both caulking channels on bottom track.
- After caulking, place the door track between wall jambs on the base surface.

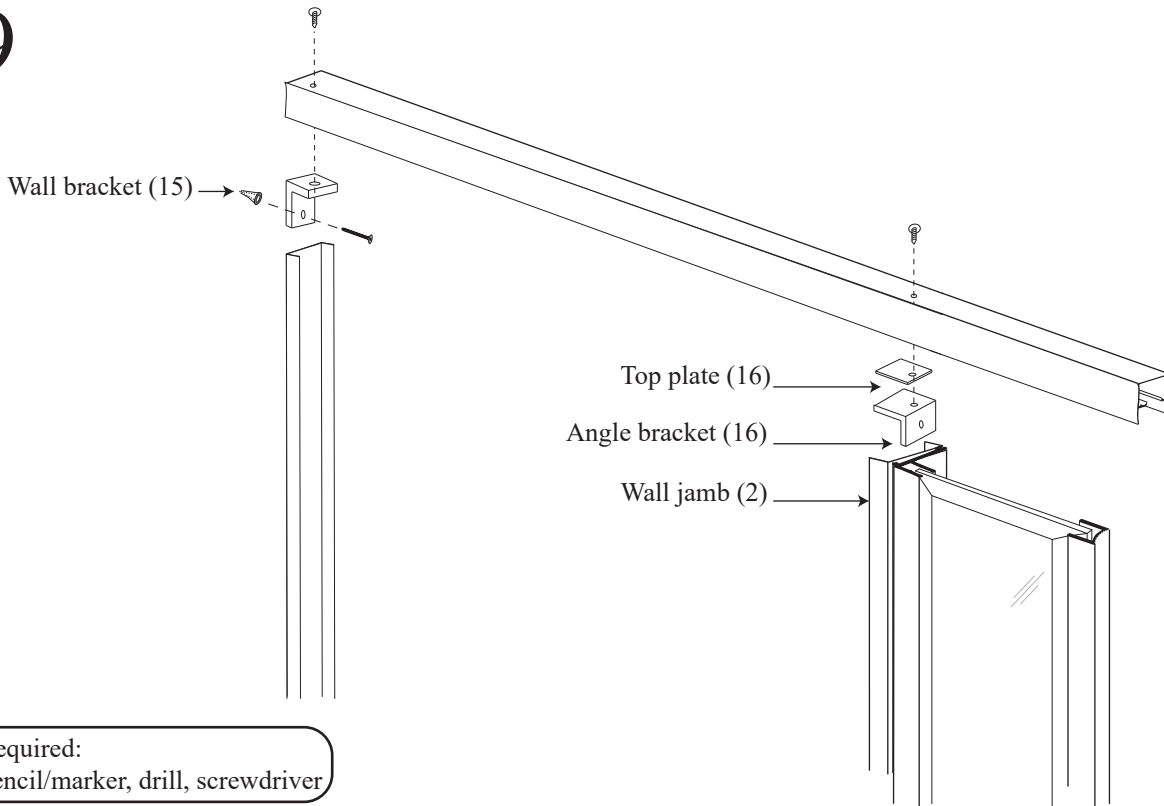


- Mark and drill holes on wall through jamb and also through wall jamb+ transition channel upright. Place wall bumpers sticking to the wall jambs. Fix bumpers in position with 1-1/4" screws for wall jambs. Do not over tighten.
- Caulk the inside corner where wall jamb caps over bottom track.



- Measure the distance "B" between the wall at the top of the unit.
- Cut the header and place it on top.
- Check fit, do not fix the header at this step.

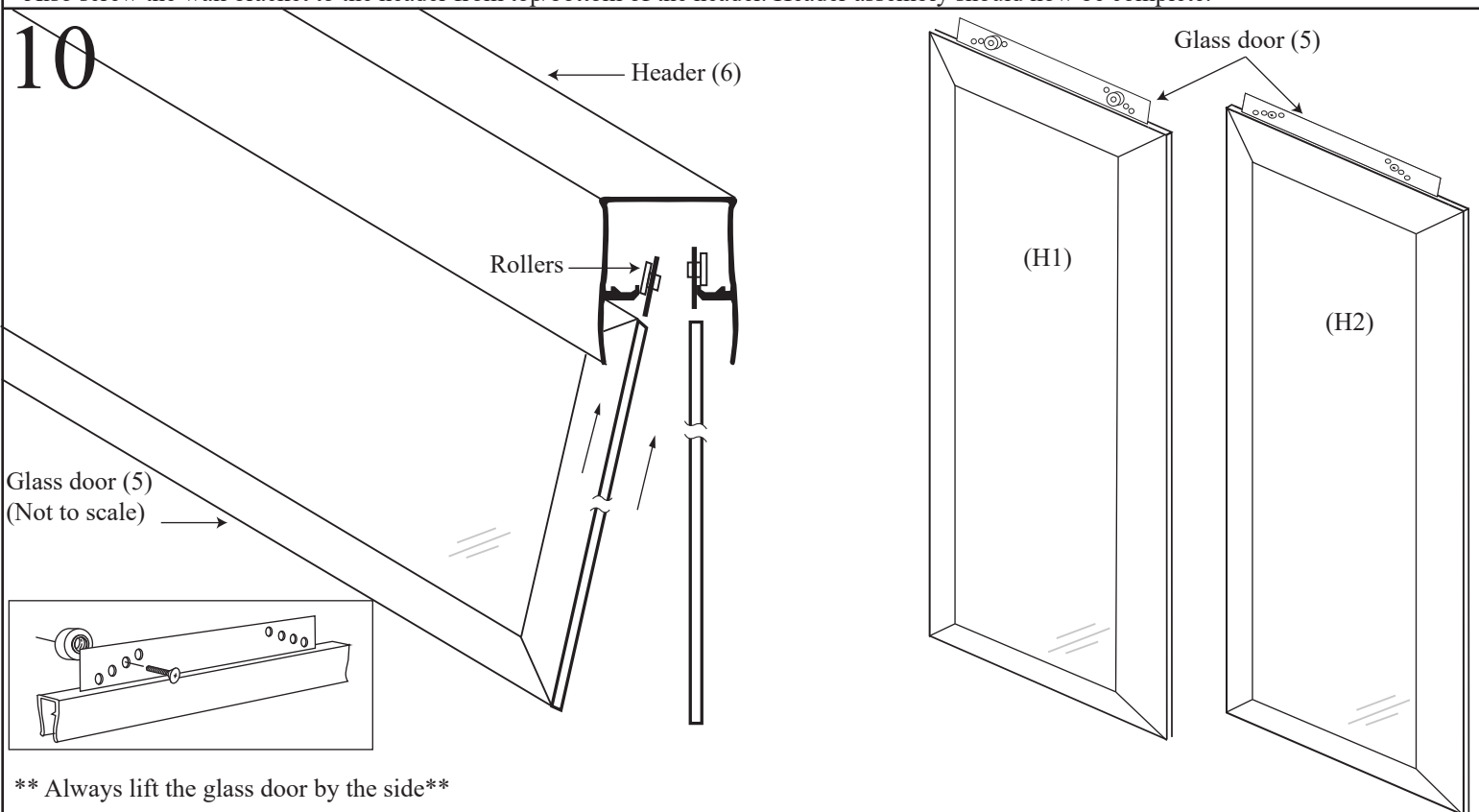
9



Required:
Pencil/marker, drill, screwdriver

- Place the wall bracket carefully inside in the header sticking to wall and inside top of header. Mark and drill holes on wall and on top of header.
- Only screw the wall bracket on wall with 1-1/4" panhead screw. Follow this step on both ends of the header.
- Screw the top plate on header angle bracket and slide in the header,
- Mark and drill a hole on wall jamb with the self drilling screw to fit the header angle bracket.
- Also screw the wall bracket to the header from top/bottom of the header. Header assembly should now be complete.

10

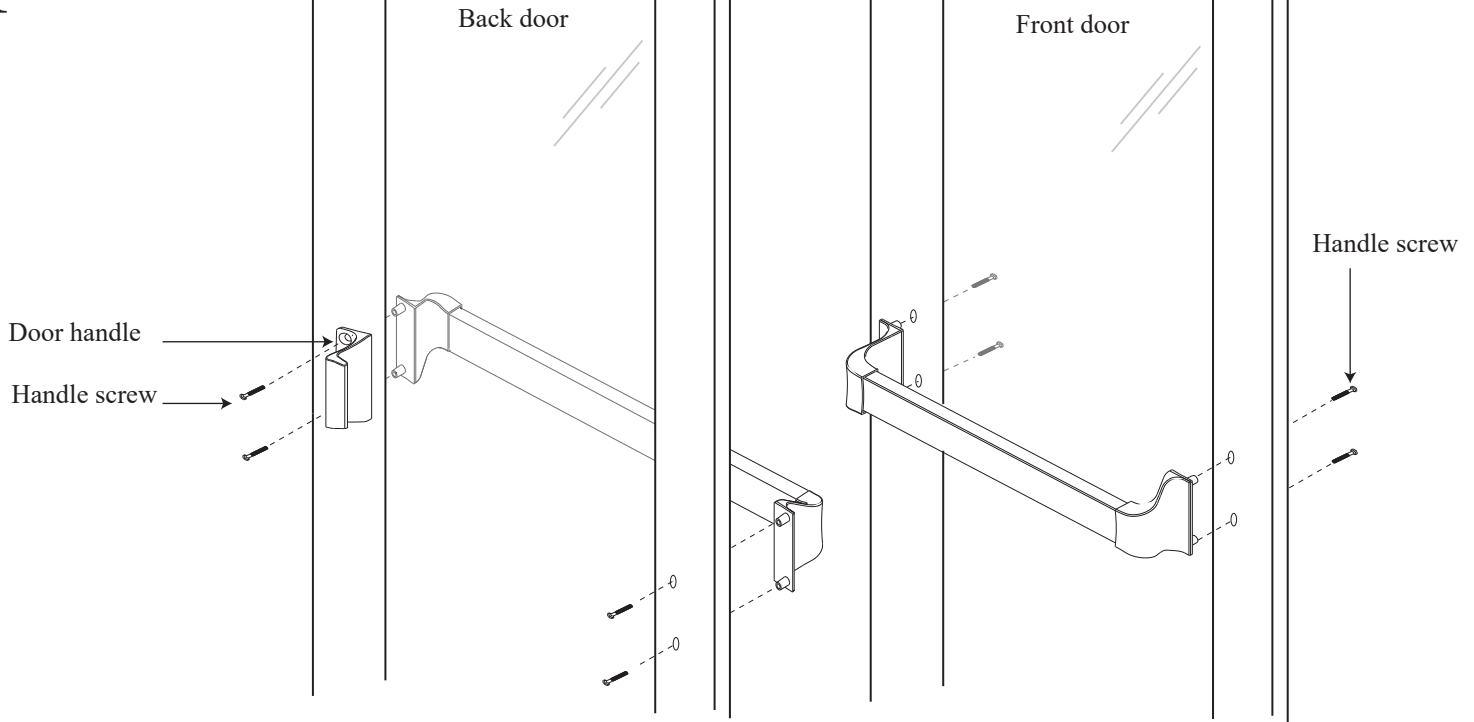


**** Always lift the glass door by the side****

- Label doors (H1) outside door (rollers facing outside of the unit) and (H2) inside door (rollers facing inside of the unit). Smooth side of glass is always facing inside the unit. Install the inside door first and insert the roller into the header section. Rest rollers on the groove of the header. Repeat the procedure for the outside of the door. For out-of-level tub/walls, adjustment rollers holes are provided.

**** Be extremely careful not to hit the edge of the glass when installing.**

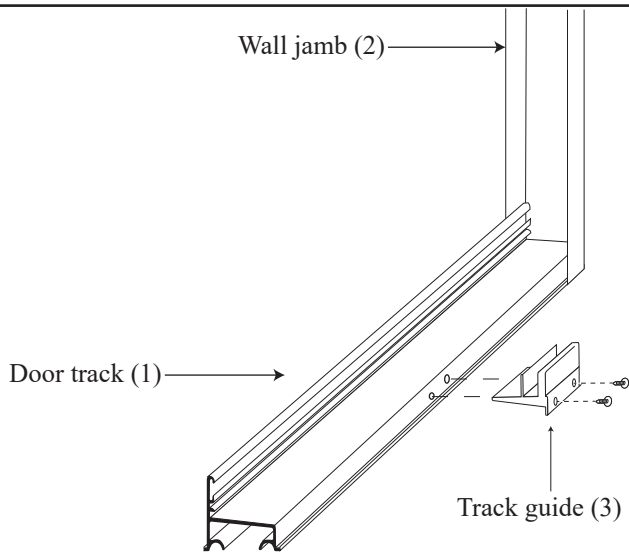
11



Required:
Screwdriver

- Screw the towel bar with the exact series arrangement as shown above.
- Also, screw towel bar from inside of unit for other door.

12

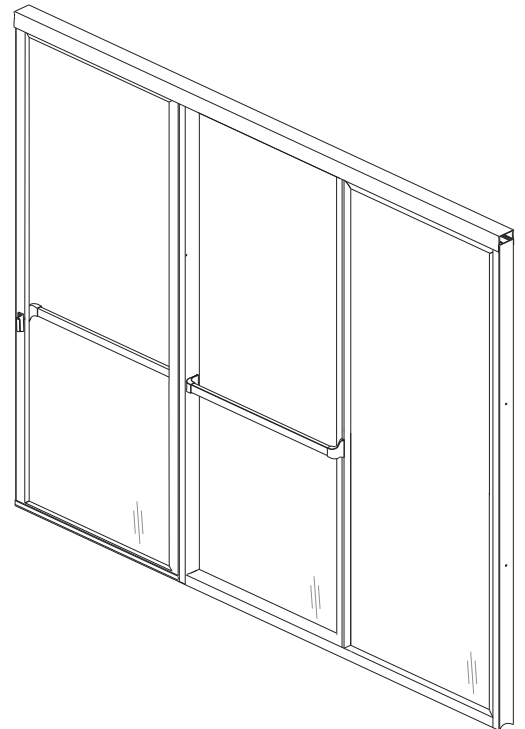


(NOTE: Only the track guide, wall jamb and door track is shown)

Required:
Screwdriver

- Slide the door on one side of the unit and then screw track guide to door track with 3/8 panhead screws.
- Making sure doors slide through groove easily.

13



Required:
Caulk gun

- On completion of assembly and installation, caulk entire inside of the unit where it meets the wall and the base and the outside of door track where it meets the walls and base to prevent water leakage. Wait for 24 hours before using, for silicone to dry.