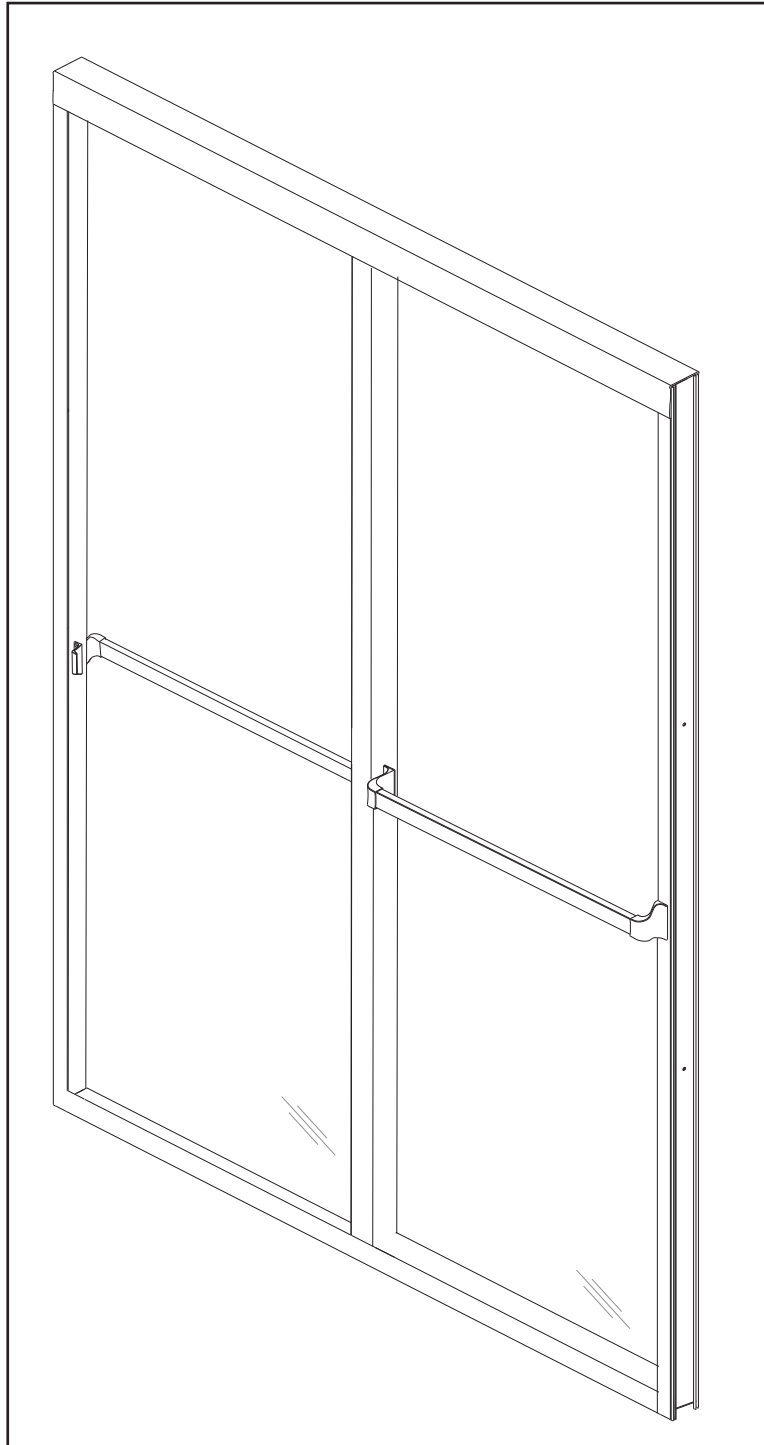
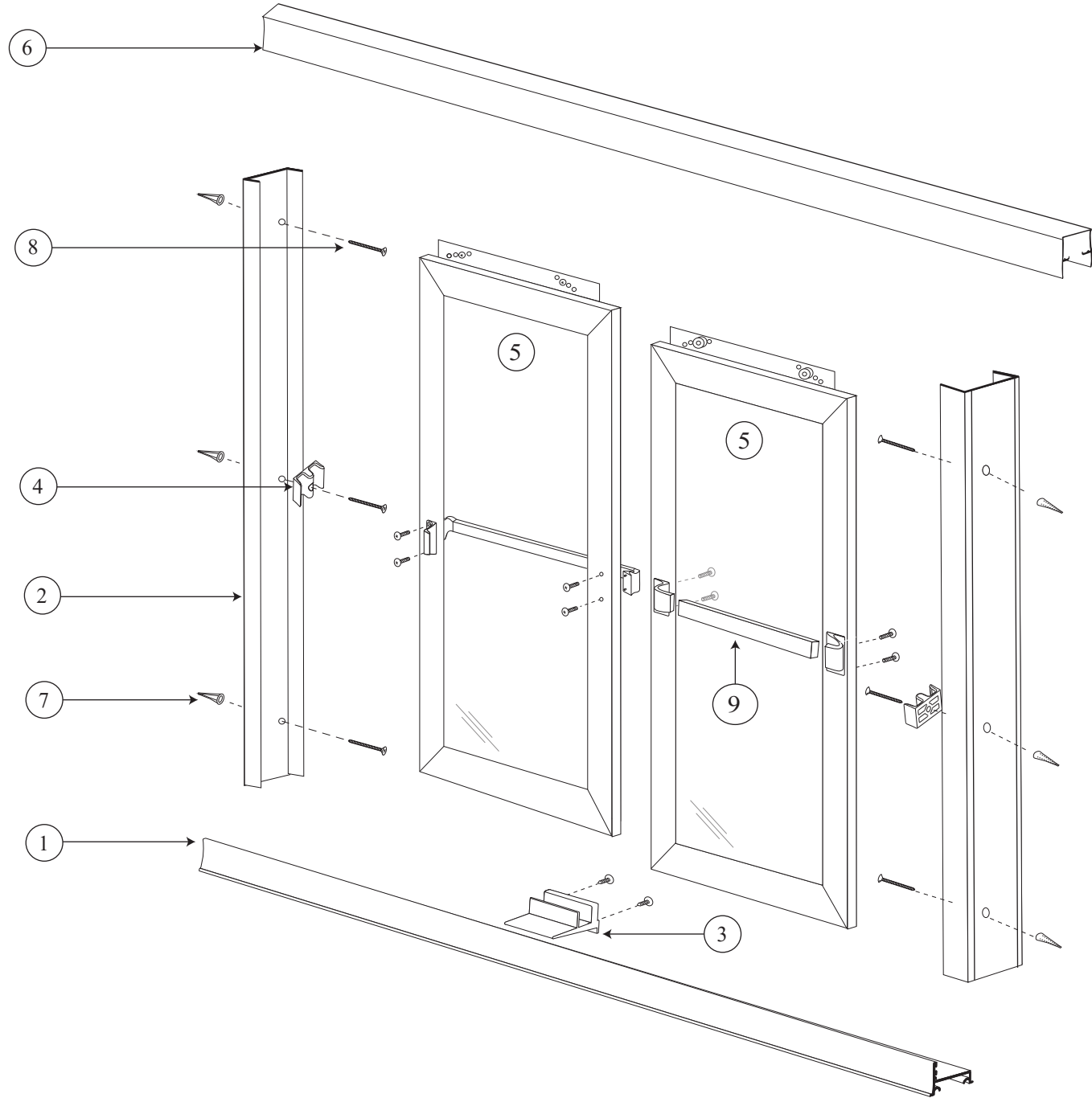


L-158  
Lucette Framed Sliding Door  
Installation Guide

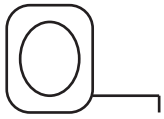


Detailed diagram of L-158 components



#	Part Name	Qty
1	Door track	1
2	Wall jambs	2
3	Track guide	1
4	Rubber bumpers	2
5	Glass door	2
6	Header	1
7	Plastic wall anchors	6
8	1-1/4" wall mount screws	6
9	Tower bar kit	2
10	3/8" panhead screws	2

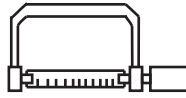
**Tools required**



Tape Measure



Level



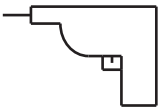
Hacksaw



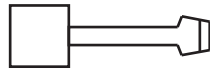
Safety glasses



Drill bits (2) (#32 metal bit,  
3/16" carbide masonry bit)



Drill



Flat head and  
Phillips head  
Screwdriver



Pencil/Marker



Caulking gun



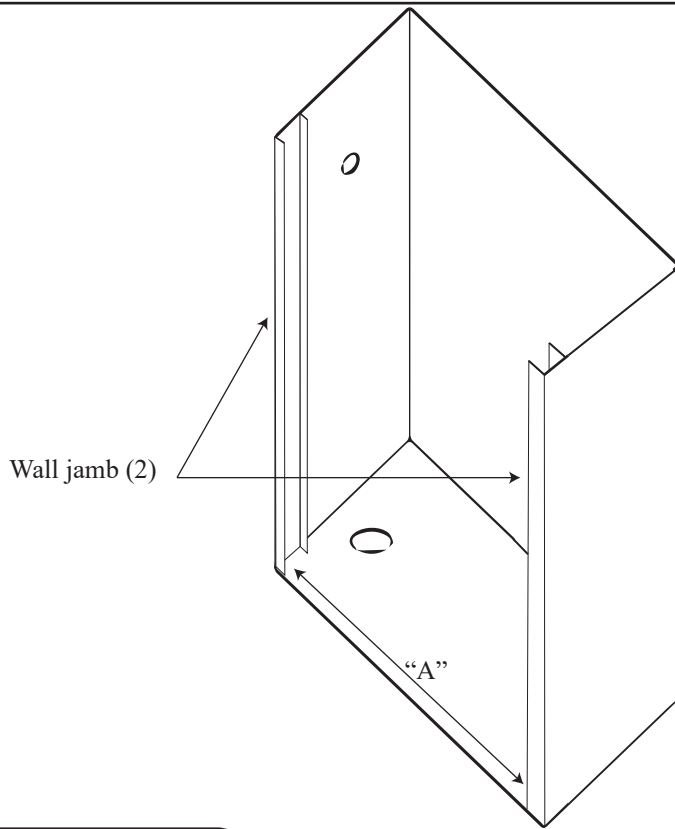
Masking tape



**WARNINGS**

- \*\*Before starting, please read instructions carefully and thoroughly; then proceed step by step.
- \*\*Please wear safety glasses and safety gloves whenever drilling or cutting tile or handling metal/glass parts.
- \*\*When drilling through tile, carefully break through glazed surface only with sharp tool and then drill slowly.
- \*\*Wall uprights must be installed level and plumb. Do not follow grout lines.
- \*\*To insure complete customer satisfaction Century Bathworks recommends installation by a professional.
- \*\*Risk of injury or product damage. Two people should perform this installation.
- \*\*Do not cut the top and bottom track the same length for this installation.
- \*\*Please carefully unpack all parts for your unit as listed on previous page and also check that you have all the tools as listed above.
- \*\*If any parts are missing or damaged, please contact Century Bathworks or your dealer for replacements.

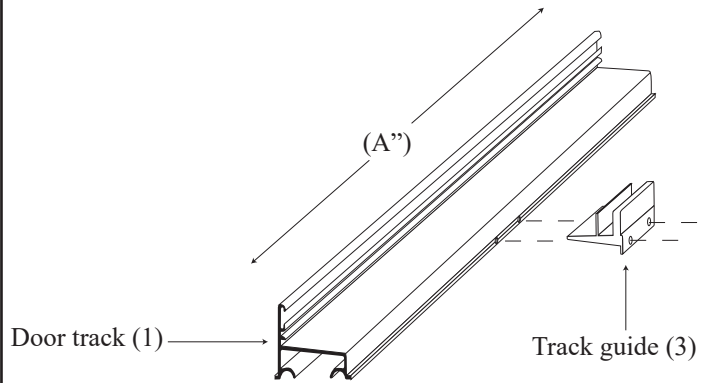
1



Required:  
Tape measure, masking tape

- Place wall jamb sticking to wall and tape into place.
- Note distance "A" between the inside of wall jambs at base.

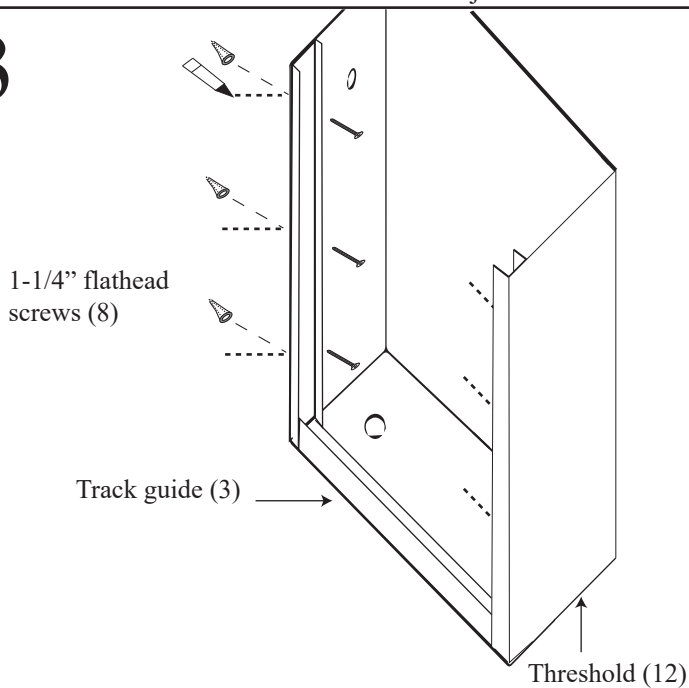
2



Required:  
Tape measure, hacksaw, pencil, drill

- Consider the length "A" and cut the door track. Locate the center of door track and position track guide.
- With the guide in position, mark holes and drill using #32 drill bit through the inside leg. (Do not screw until step 12)

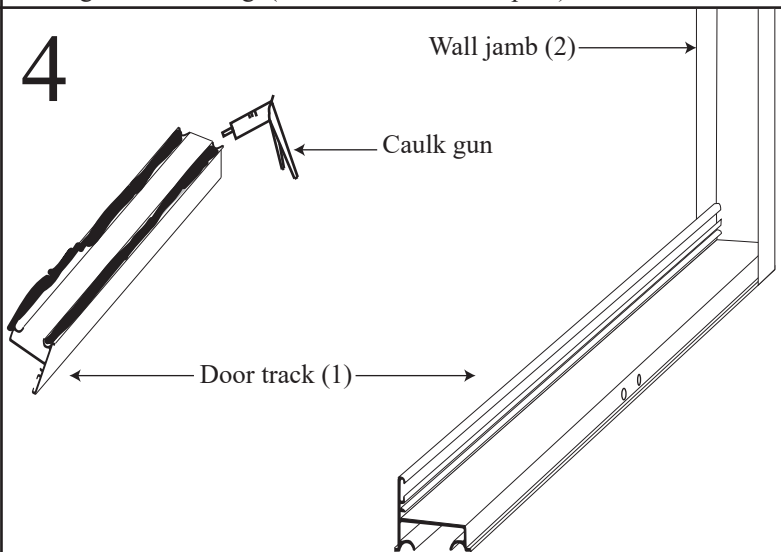
3



Required:  
Pencil, drill, masking tape, drill, screwdriver

- Place door track in between wall jambs. Mark holes on wall.
- Drill holes with 3/16" carbide masonry drill bit. Remove all wall debris. Insert plastic wall anchors into wall.

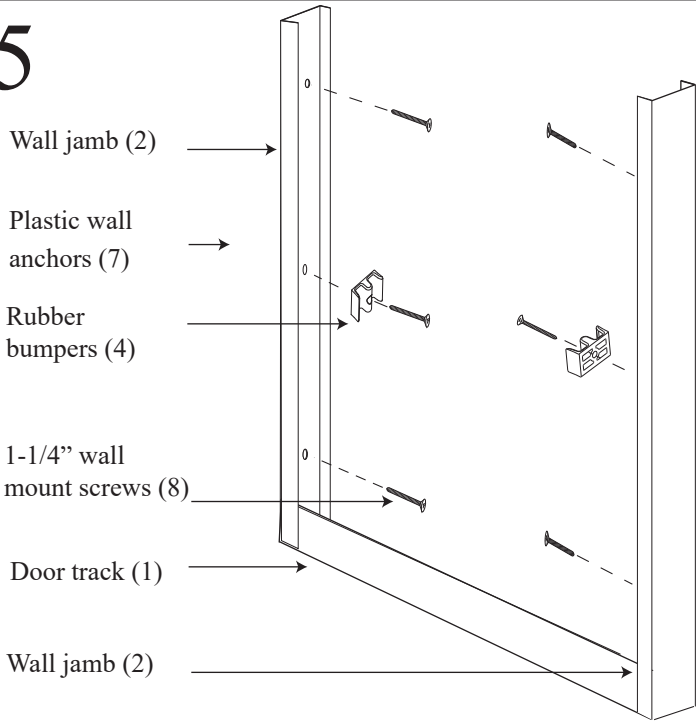
4



Required:  
Caulk gun

- Apply a thin ribbon of caulk to both caulking channels on bottom track.
- After caulking, place the door track and wall jambs on the base surface.
- Door track sits in between the wall jambs.

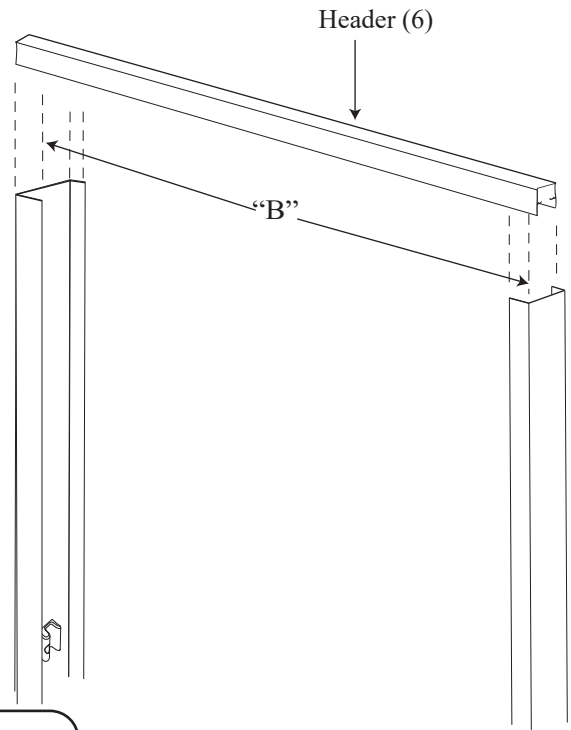
5



Required:  
Caulk gun, screwdriver, pencil/marker, drill

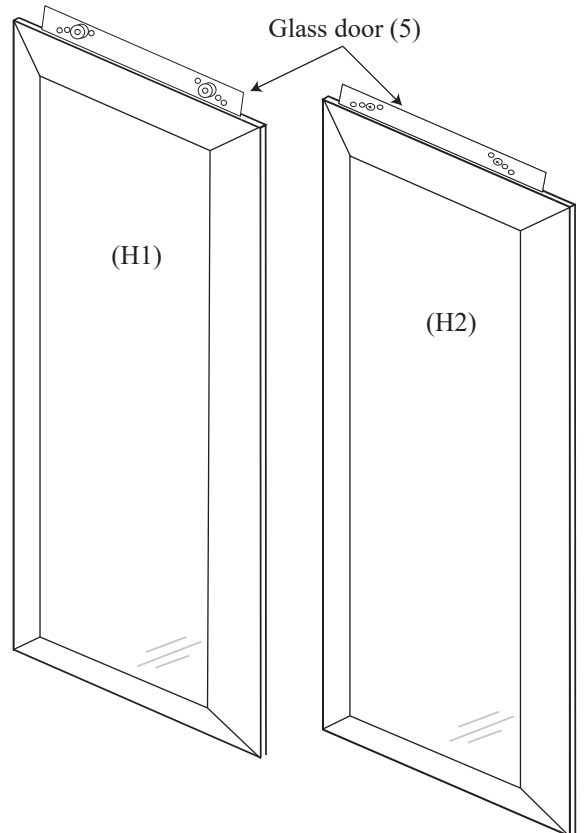
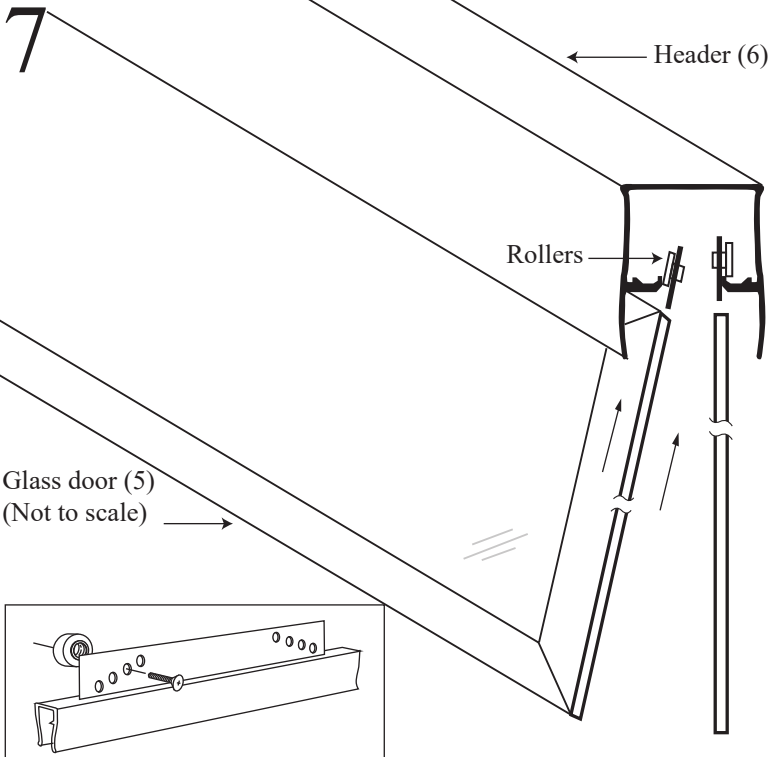
- Place wall bumpers sticking to the wall jambs. Fix bumpers in position with 1-1/4" screws for wall jambs. Do not over tighten.
- Caulk the inside corner where wall jamb caps over bottom track.

6



Required:  
Tape measure, hacksaw

- Measure the distance "B". Cut the header from the long end side and place it on top.

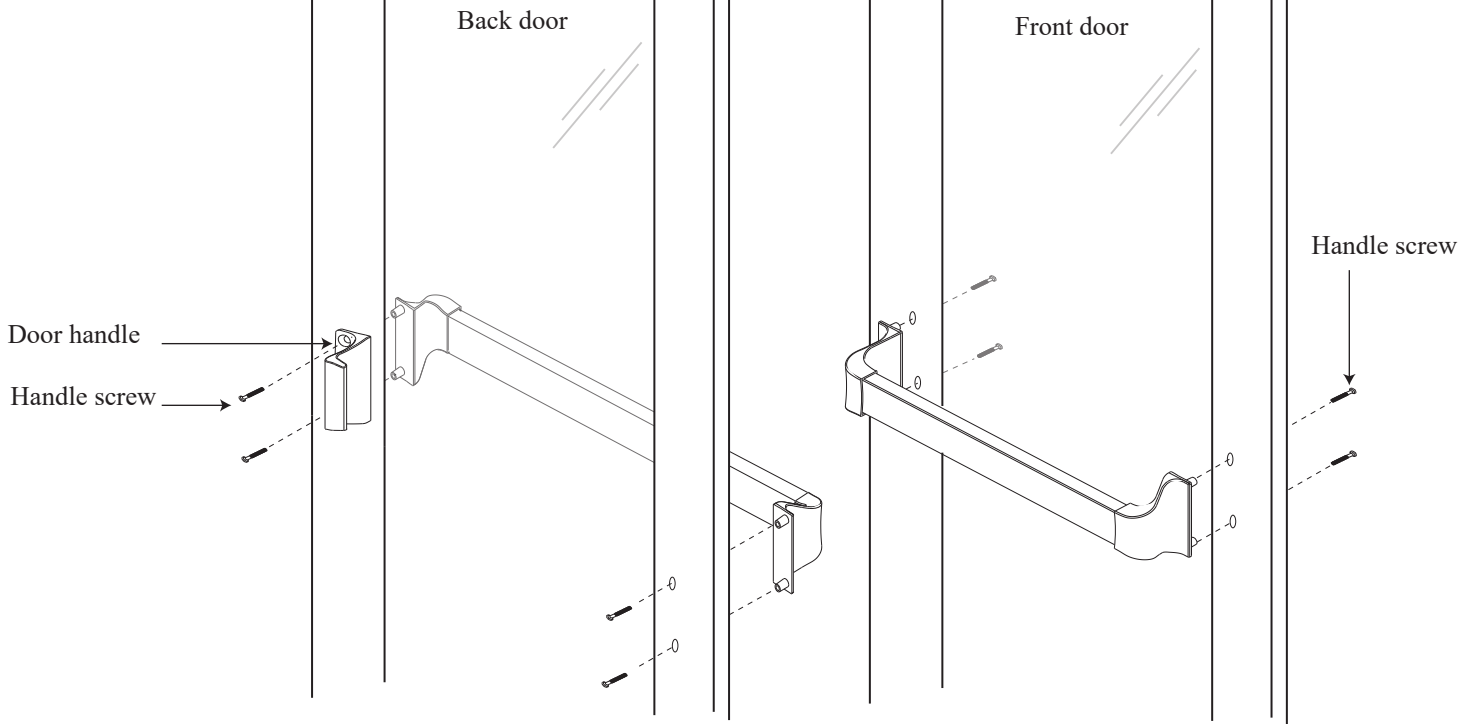


\*\* Always lift the glass door by the side\*\*

- Label doors (H1) outside door (rollers facing outside of the unit) and (H2) inside door (rollers facing inside of the unit). Smooth side of glass is always facing inside the unit. Install the inside door first and insert the roller into the header section. Rest rollers on the groove of the header. Repeat the procedure for the outside of the door. For out-of-level tub/walls, adjustment rollers holes are provided.

\*\* Be extremely careful not to hit the edge of the glass when installing.

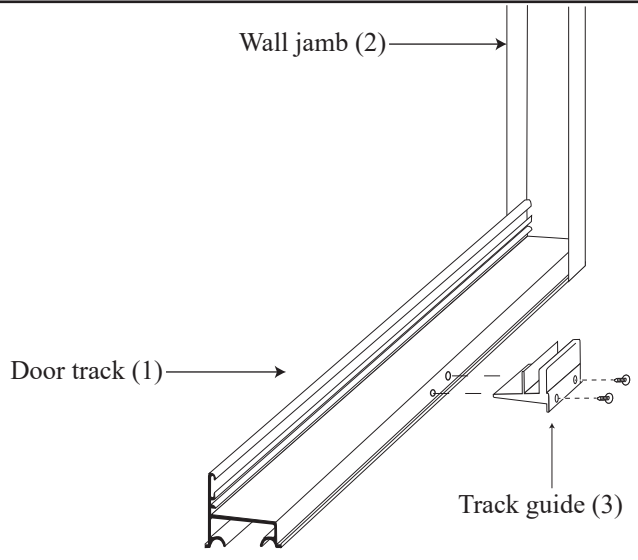
8



Required:  
Screwdriver

- Screw the towel bar with the exact series arrangement as shown above.
- Also, screw towel bar from inside of unit for other door.

9

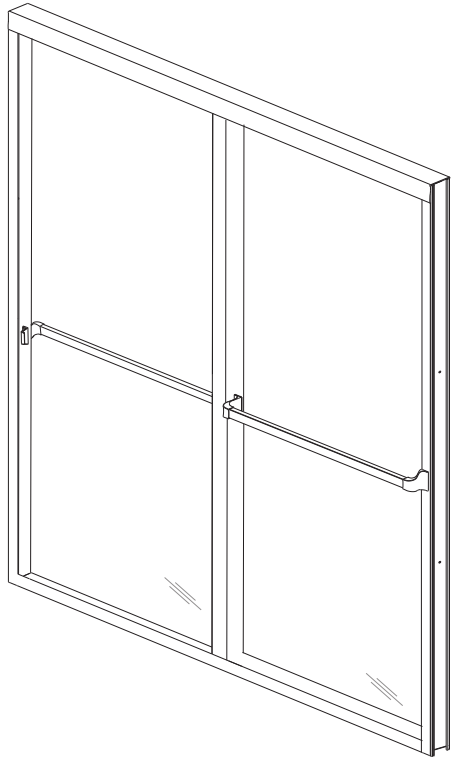


(NOTE: Only the track guide, wall jamb and door track is shown)

Required:  
Screwdriver

- Slide the door on one side of the unit and then screw track guide to door track with 3/8 panhead screws.
- Making sure doors slide through groove easily.

10



Required:  
Caulk gun

- On completion of assembly and installation, caulk entire inside of the unit where it meets the wall and the base and the outside of door track where it meets the walls and base to prevent water leakage. Wait for 24 hours before using, for silicone to dry.