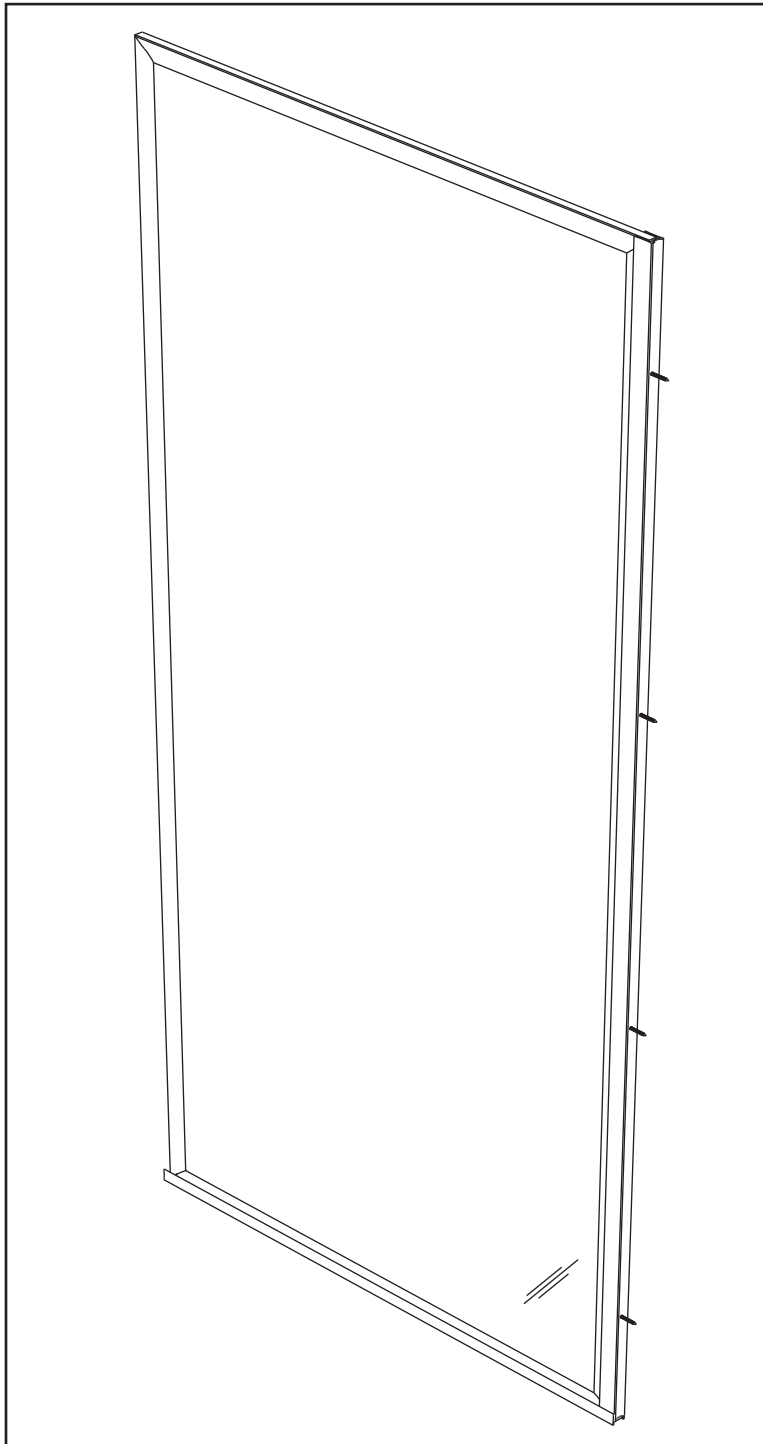
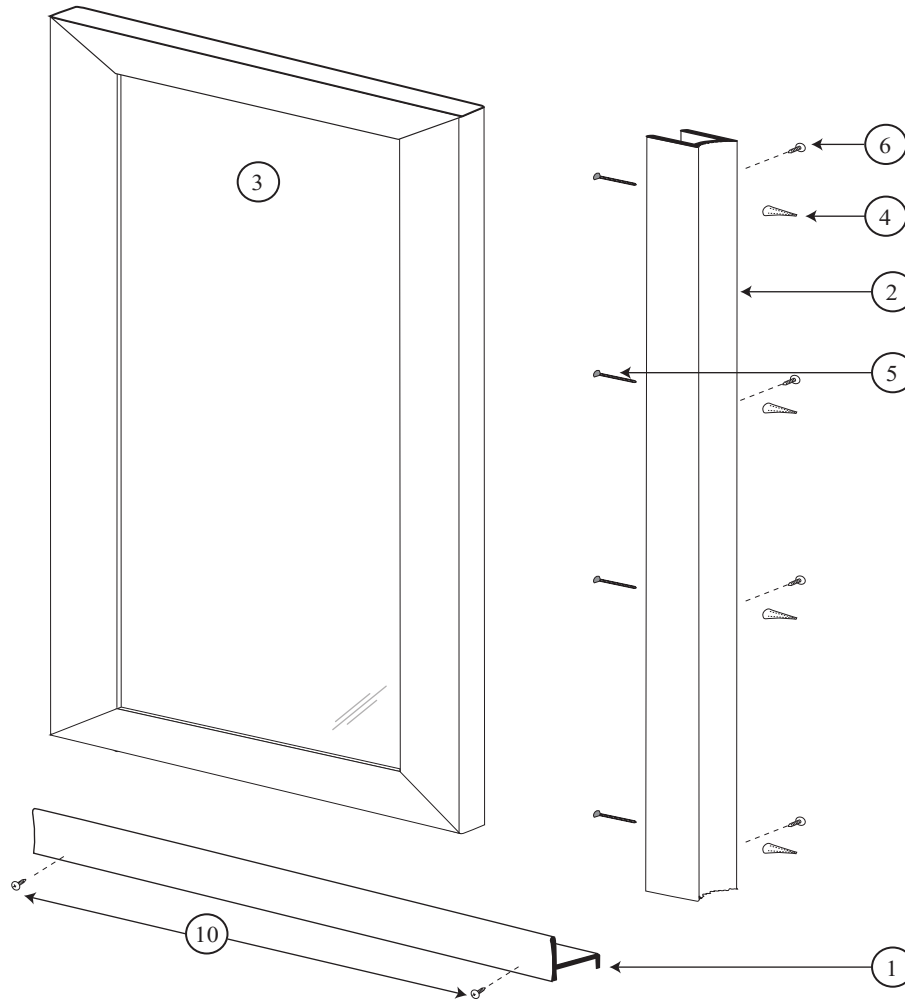


L-100  
Lucette Framed Panel  
Installation Guide



Detailed diagram of L-100 components



| # | Part Name                          | Qty |
|---|------------------------------------|-----|
| 1 | Threshold                          | 1   |
| 2 | Wall channel upright               | 1   |
| 3 | Glass panel                        | 1   |
| 4 | Plastic wall mount anchors         | 4   |
| 5 | 1-1/4" wall mount flat head screws | 4   |
| 6 | 3/8" panhead screws                | 6   |

**Tools required**



Tape Measure



Level



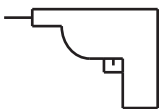
Hacksaw



Safety glasses



Drill bits (2) (#32 metal bit,  
3/16" carbide masonry bit)



Drill



Flat head and  
Phillips head  
Screwdriver



Pencil/Marker



Caulking gun



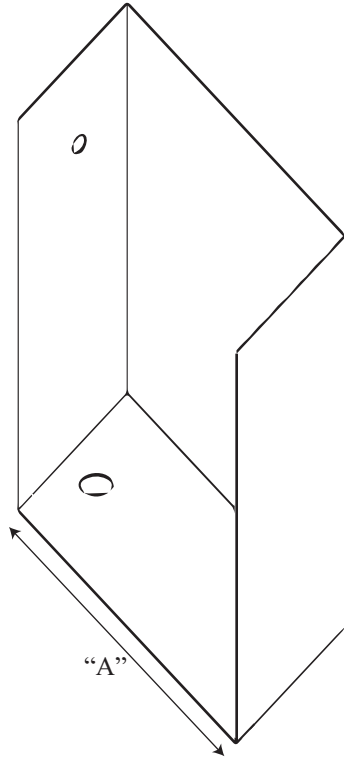
Masking tape



**WARNINGS**

- \*\*Before starting, please read instructions carefully and thoroughly; then proceed step by step.
- \*\*Please wear safety glasses and safety gloves whenever drilling or cutting tile or handling metal/glass parts.
- \*\*When drilling through tile, carefully break through glazed surface only with sharp tool and then drill slowly.
- \*\*Wall uprights must be installed level and plumb. Do not follow grout lines.
- \*\*To insure complete customer satisfaction Century Bathworks recommends installation by a professional.
- \*\*Risk of injury or product damage. Two people should perform this installation.
- \*\*Do not cut the top and bottom track the same length for this installation.
- \*\*Please carefully unpack all parts for your unit as listed on previous page and also check that you have all the tools as listed above.
- \*\*If any parts are missing or damaged, please contact Century Bathworks or your dealer for replacements.

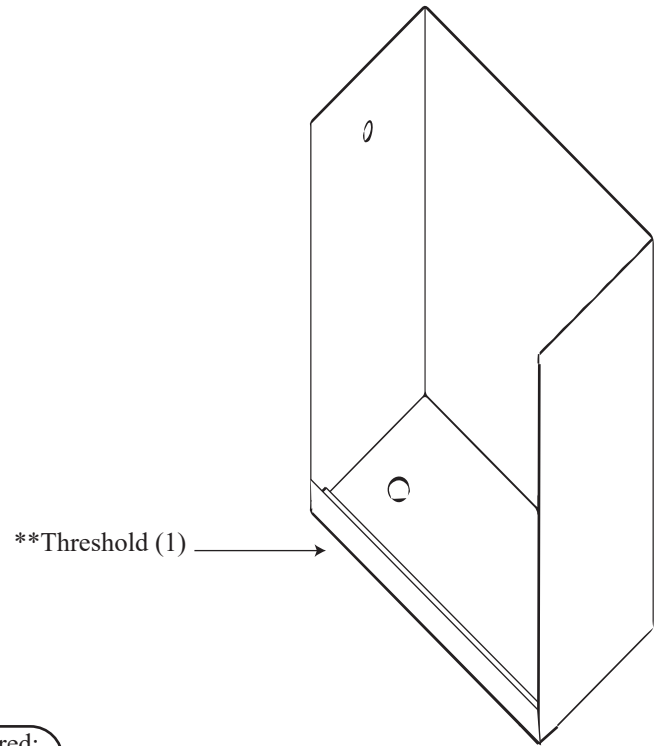
1



Required:  
Tape measure

- Measure "A" and note distance between the walls at the base.

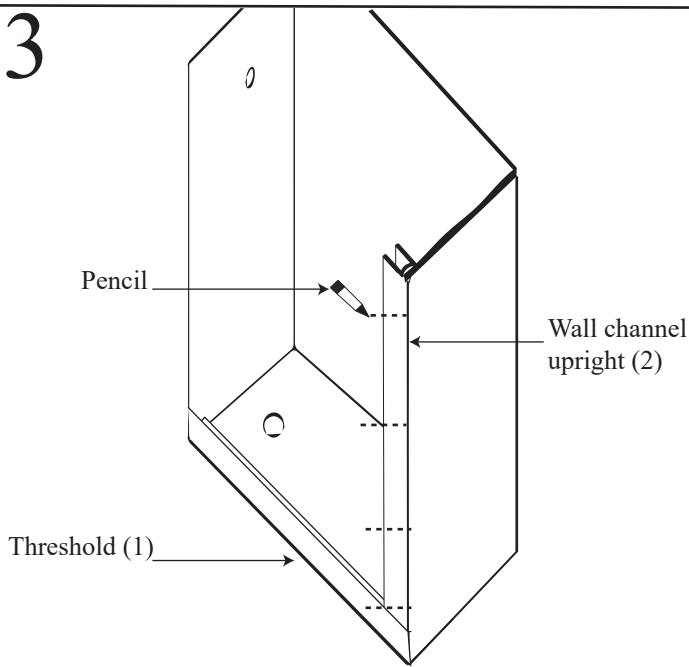
2



Required:  
Hacksaw

- Consider the length "A" and cut the threshold accordingly.
- Place the threshold on the base as shown.
- \*\* Flat long side of threshold must face to the outside of shower.

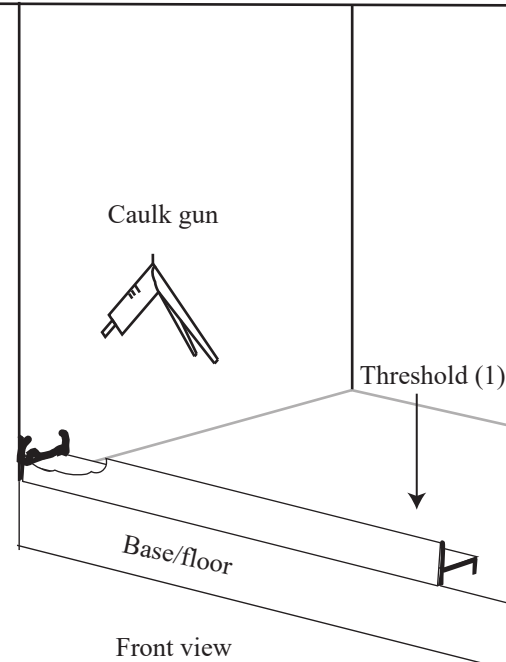
3



Required:  
Pencil/marker, masking tape, 3/16" carbide masonry bit, drill, level

- Place the wall channel upright on the threshold against wall. Hold in place with masking tape. Make sure it is level and plumb. Mark the holes on the wall using a pencil or marker.
- Remove the wall channel upright and threshold. Drill holes with 3/16" carbide-tipped masonry bit. Insert plastic wall anchors. Remove all the wall debris.

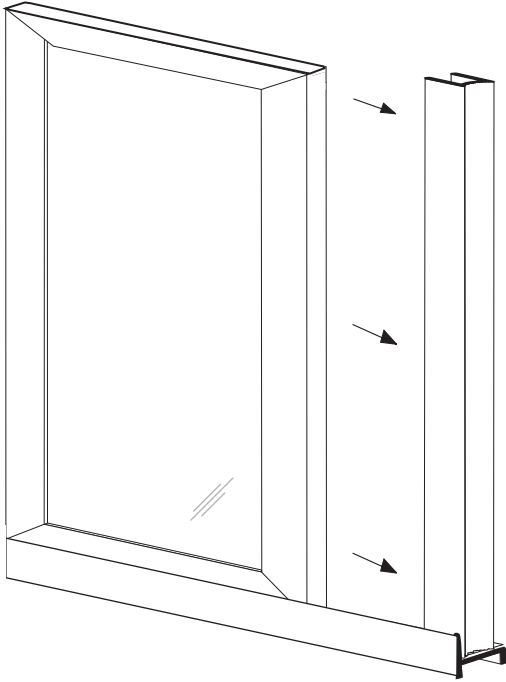
4



Required:  
Caulking gun, drill/screwdriver

- Again, place the threshold on the base and caulk inside of threshold from the top at each wall and at all the joints.
- After the caulking is done, screw outer wall channel upright to wall through predrilled holes with 1-1/4" flathead screws.

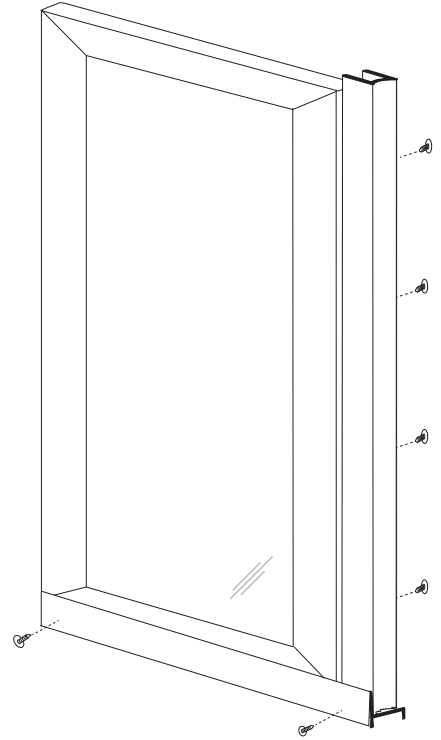
6



Required:  
Masking tape

- Place panel into wall channel uprights and hold into place with masking tape.

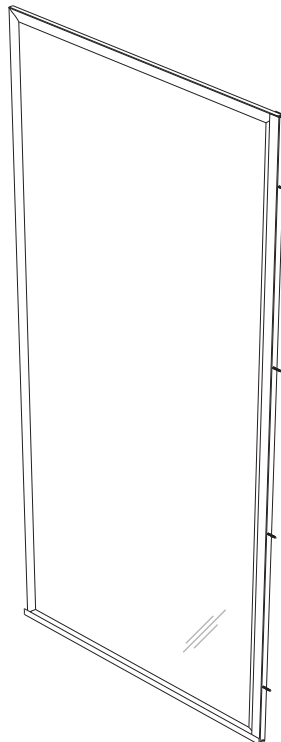
7



Required:  
Screwdriver

- Mark and drill holes on panel frame through pre-drilled holes on wall channel upright. Also, mark and drill holes through threshold via wall channel uprights.
- Fasten the uprights and header/threshold with 3/8" panhead screws to fix the unit in place.

8



Required:  
Caulk gun

- On completion of assembly and installation, caulk entire inside of the unit where it meets the wall and the base and the outside of threshold where it meets the walls and base to prevent water leakage.
- Wait for 24 hours before using, for silicone to dry.