

GW 1631NB - Frameless Hinged Door and Panels

Features:

- Dual swing option available. (Swing out standard)
- 6" C-pull handle included. (Upgrades available)
- 9/16" X 5/8" standard wall channels.
- Delfector sweep and "L" vinyl to seal the unit door.
- Heavy duty hinges for large doors required (30"+).
- Stock unit height - 72" & 76"
- Clips can be used in place of wall channels. Contact for more info.

Configurations:

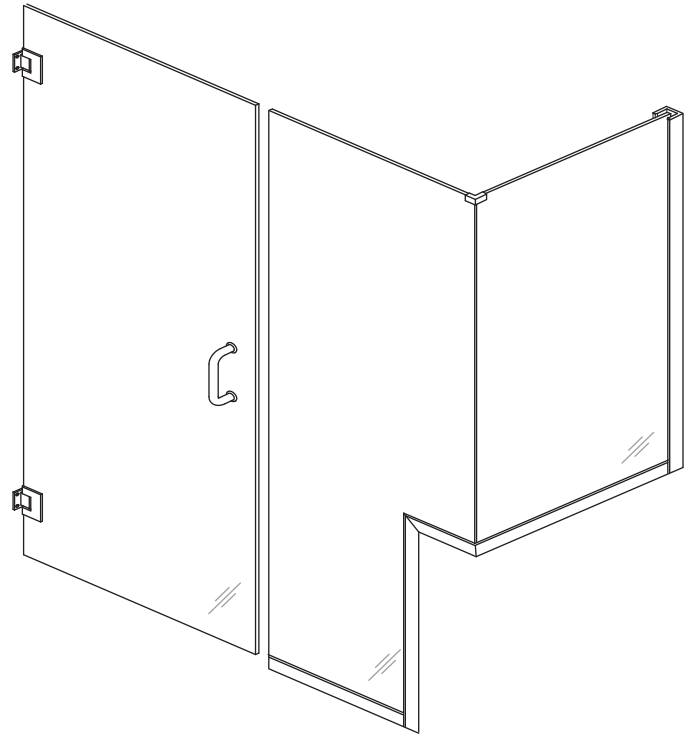
- Consists of single door, inline panel and return buttress panel.

Glass coating option:

- Diamon-Fusion treatment helps protect the build up of soap scum and hard water deposits and reduces cleaning time by 50%. Simply wipe down with a washcloth or squeegee after showering.

Codes/Standards

Tempered Glass
ANSI Z97.1
16 CFR 1201



• Material

High polished anodized aluminum.

• Colors

Available in Silver Aluminium, Satin Nickel, Gold, Painted colors (6), available upon request

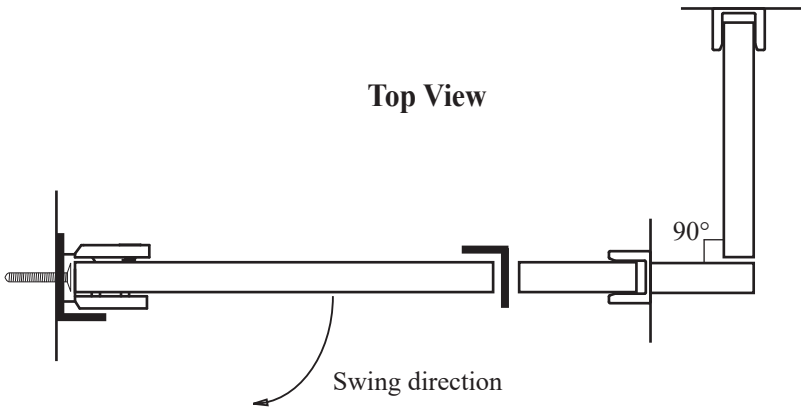
• Century Bathworks 3 year Limited Warranty

See website or call for detailed information.

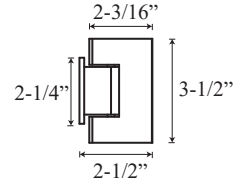
• Specifications

Model Number: GW-1631NB
Door Type: Single door, notch inline, buttress return
Opening Style: Hinged
Stock Door widths: 24" - 30" (3/8" thickness)
Glass thickness: 3/8" or 1/2"
Assembly: Read installation guide
Country of origin: United States of America

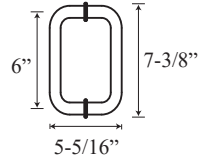
GW 1631NB - Frameless Hinged Door and Panels



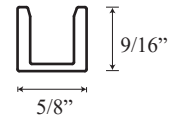
Wall Mount Hinge



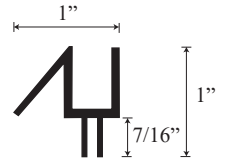
C-Pull Handle



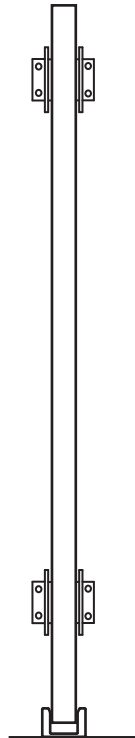
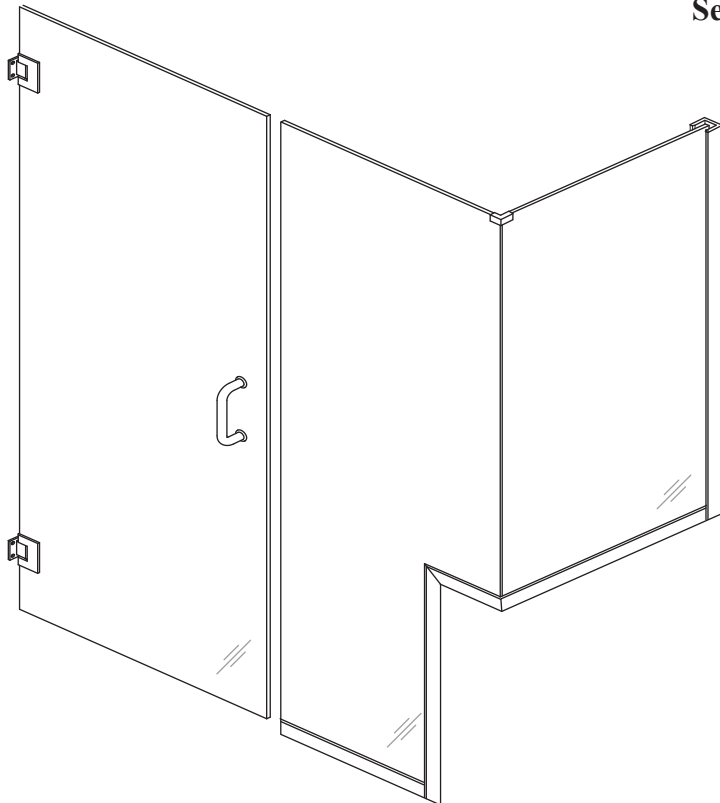
Wall Channel



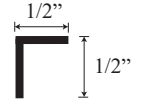
Deflector sweep



Section or Side view



"L" Vinyl



Top corner clip

