

## GGPA 1669 - Frameless Glass to Glass Hinged Door and Panels

### Features:

- Dual swing option available. (Swing out standard)
- 6" C-pull handle included. (Upgrades available)
- 9/16" X 5/8" standard wall channels.
- Delfector sweep and "L" vinyl to seal the unit door.
- Heavy duty hinges for large doors required (30"+).
- Corner clip can be replaced with top corner clip.
- Wall channel can be replaced with clips (contact for more info).

### Configurations:

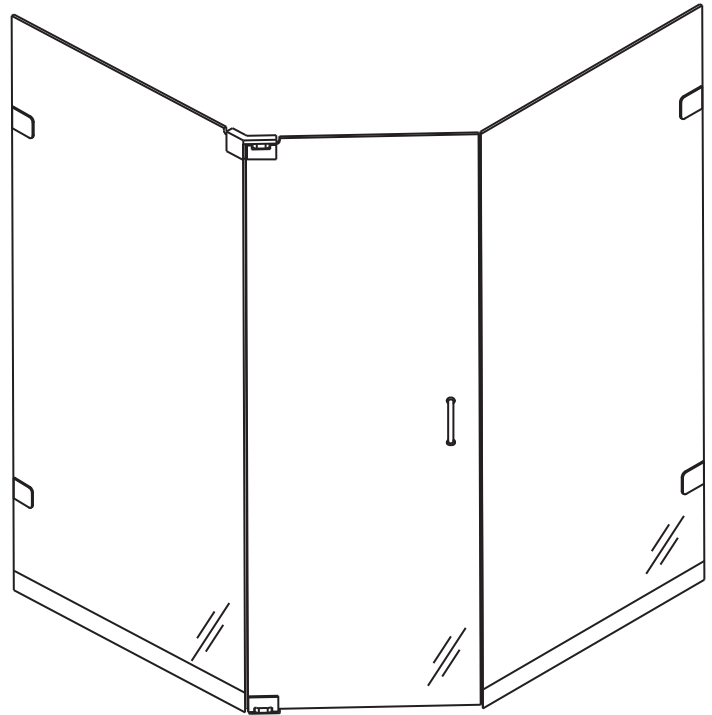
- Consists of single door and two neo return panel.

### Glass coating option:

- Diamon-Fusion treatment helps protect the build up of soap scum and hard water deposits and reduces cleaning time by 50%. Simply wipe down with a washcloth or squeegee after showering.

### Codes/Standards

Tempered Glass  
ANSI Z97.1  
16 CFR 1201



### • Material

High polished anodized aluminum.

### • Colors

Available in Polished Chrome, Satin Nickel, Gold, Painted colors (6), available upon request

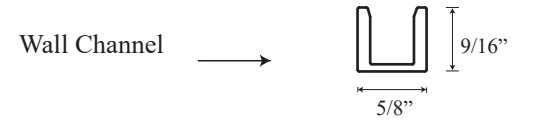
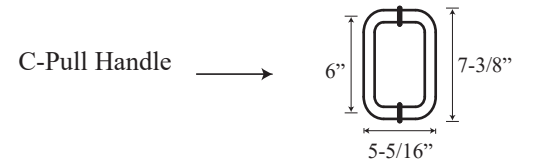
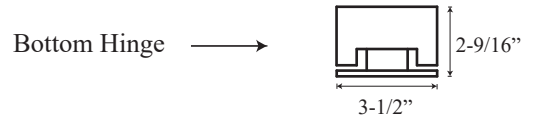
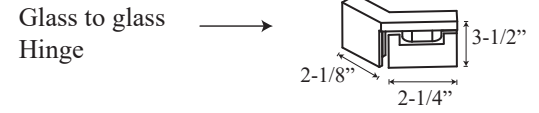
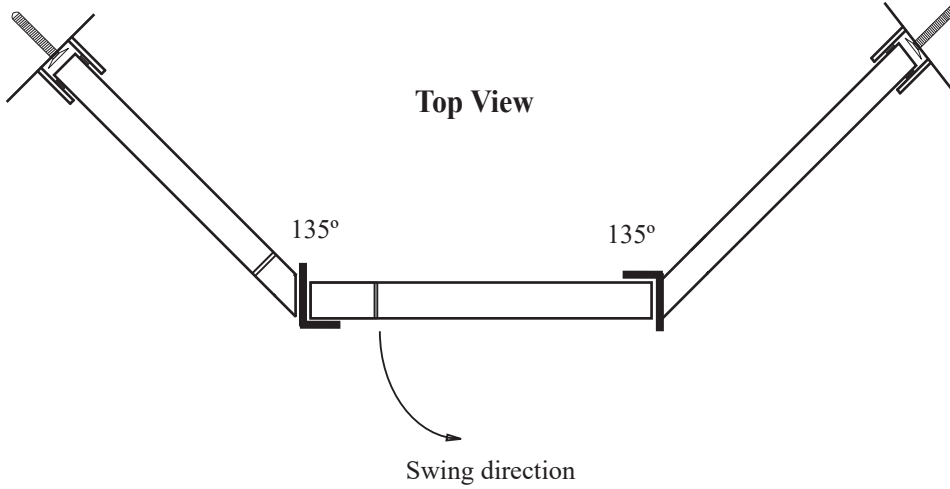
### • Century Bathworks 3 year Limited Warranty

See website or call for detailed information.

### • Specifications

Model Number:	GG-1669
Door Type:	Single door and 2 neo panels.
Opening Style:	Hinged
Glass thickness:	3/8" or 1/2"
Assembly:	Read installation guide
Country of origin:	United States of America

# GG 1669 - Frameless Glass to Glass Hinged Door and Panels



## Section or Side view

