

CT-CS - Frameless Sliding Door

Features:

- Round or flat header available.
- Towel bar included.
- Choice of 1/4" or 3/8" clear tempered glass standard. Upgrades available.
- Fillers available for out of plumb and out of level openings.
- Anti-jump safety clips for added safety.
- For out-of-level tub/walls, roller adjustment holes are provided.

Configurations:

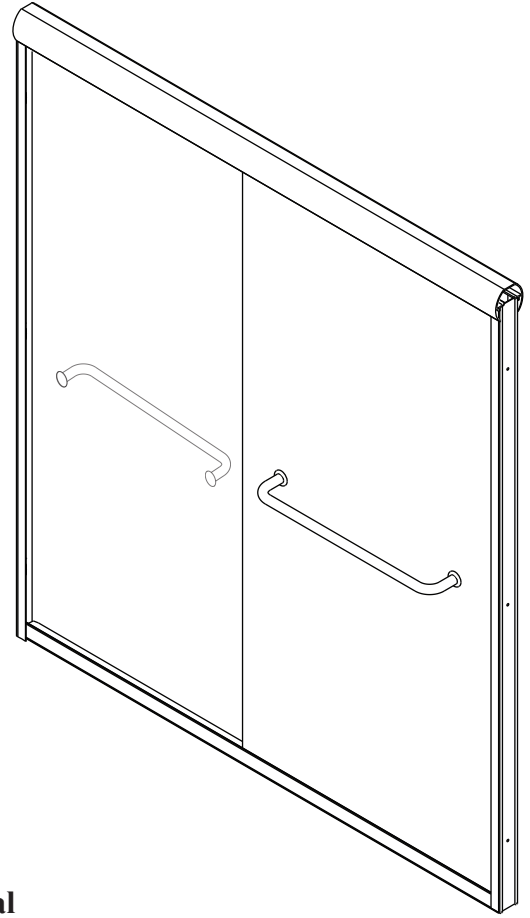
- Consists of two sliding door panels.

Glass coating option:

- Diamon-Fusion treatment helps protect the build up of soap scum and hard water deposits and reduces cleaning time by 50%.
Simply wipe down with a washcloth or squeegee after showering.

Codes/Standards

Tempered Glass
ANSI Z97.1
16 CFR 1201



• Material

High polished anodized aluminum.

• Colors

Available in polished chrome, satin nickel, gold, brushed bronze, and polished nickel, painted colors, available upon request

• Century Bathworks 3 year Limited Warranty

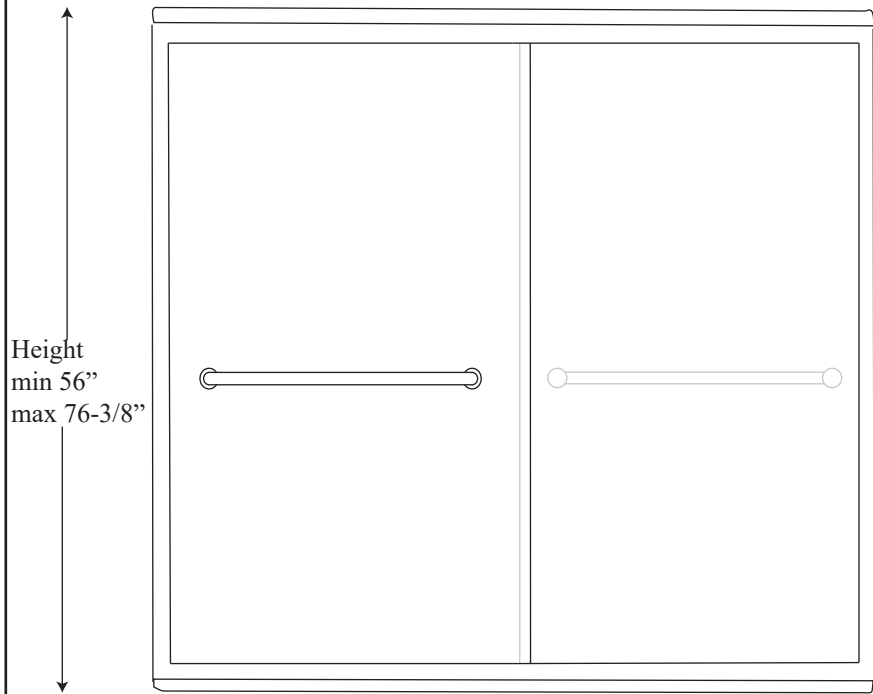
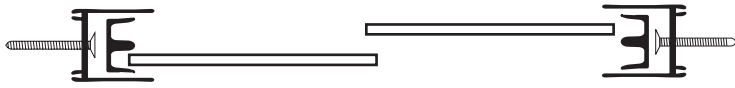
See website or call for detailed information.

• Specifications

Model Number:	CT-CS
Door Type:	Two sliding doors
Opening style:	Sliding
Opening widths:	42 1/2" - 70 1/2"
Door sizes:	24 1/4" - 36"
Walk-through:	16 7/8" - 33"
Glass thickness:	1/4" or 3/8"
Assembly:	Read installation guide
Country of origin:	United states of America`

CT-CS - Frameless Sliding Door

Top View



Height
min 56"
max 76-3/8"

Width (W)
min 42-1/2"
max 70-1/2"

Section or Side view

