

ORDER FORM / MEASURING GUIDE

• **EMAIL:** orders@centurysd.com or **FAX:** 973-785-0777

• **MEASURE THE EXACT FINISHED OPENING.** Century will provide deductions.
• Note if walls or sill dimensions vary

CUSTOMER _____ CONTACT NAME _____ DATE _____

PHONE # _____ FAX # _____ PO # _____

Circle enclosure you are ordering: Glasstec Brassline Centec Lucette Crest

Model # _____

Metal Finish _____

Glass _____

Height: Standard _____

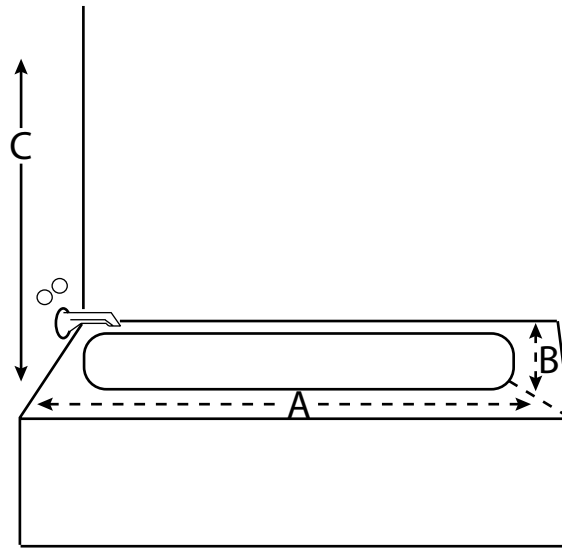
 Custom _____ Full _____

Hardware Upgrade _____

Special Instructions _____

Unit as Shown Reverse
Shower Head: Left Right

Corner Tub Enclosure



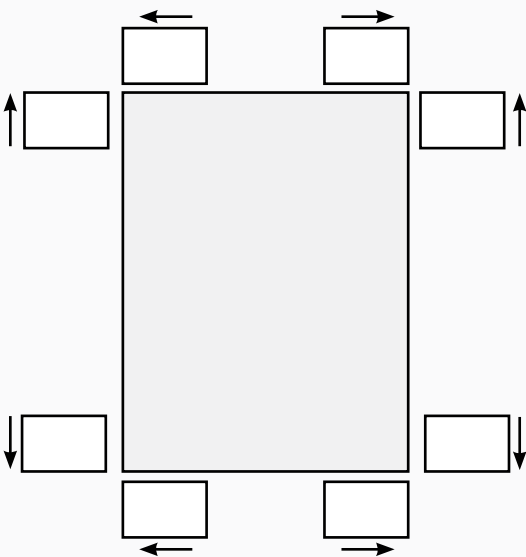
A

B

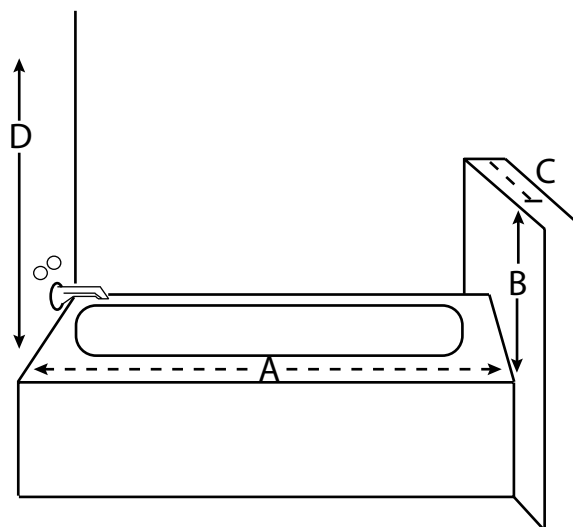
C

Use Centerline Dimension for All Enclosures

INDICATE IF BASE IS OUT OF LEVEL OR WALLS ARE OUT OF PLUMB



Tub Enclosure w/ Buttress Return



A

B
Buttress Height

C
Return Panel

D

Use Centerline Dimension for All Enclosures

Internal Use Only:

Quoted List \$ _____ Quoted By: _____

Customer Signature - Required to Confirm Dimensions Submitted