

• **EMAIL:** orders@centurysd.com **or FAX:** 973-785-0777

• **MEASURE THE EXACT FINISHED OPENING.** Century will provide deductions.
• *Note if walls or sill dimensions vary*

CUSTOMER _____ CONTACT NAME _____ DATE _____

PHONE # _____ FAX # _____ PO # _____

Circle enclosure you are ordering: Glasstec Brassline Centec Lucette Crest

Model # _____

Metal Finish _____

Glass _____

Height: Standard _____

 Custom _____ Full _____

Hardware Upgrade _____

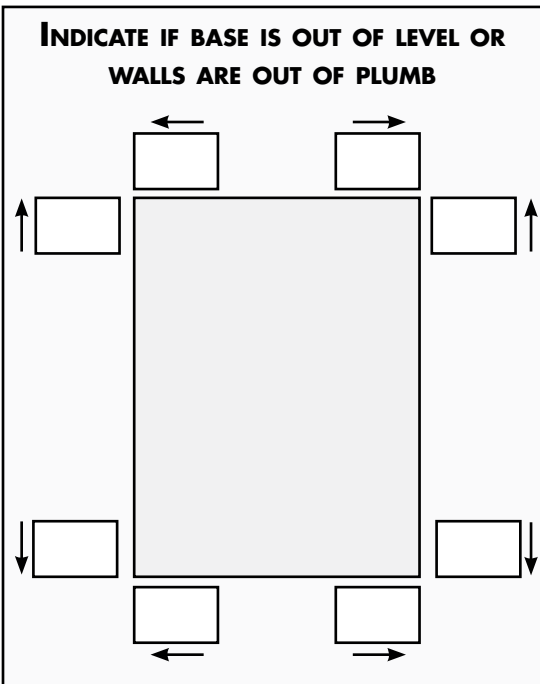
Special Instructions _____

Hinge Location: Left Right

Steam unit **MUST** note hinge location

Unit as Shown
return on right

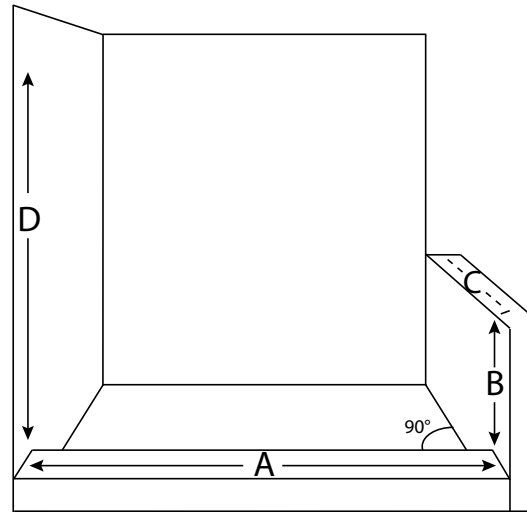
Reverse
return on left



Internal Use Only:

Quoted List \$ _____ Quoted By: _____

Corner Enclosure



A

B
use only if buttress wall

C

D

E

F

Use Centerline Dimension for All Enclosures

Customer Signature - Required to Confirm Dimensions Submitted