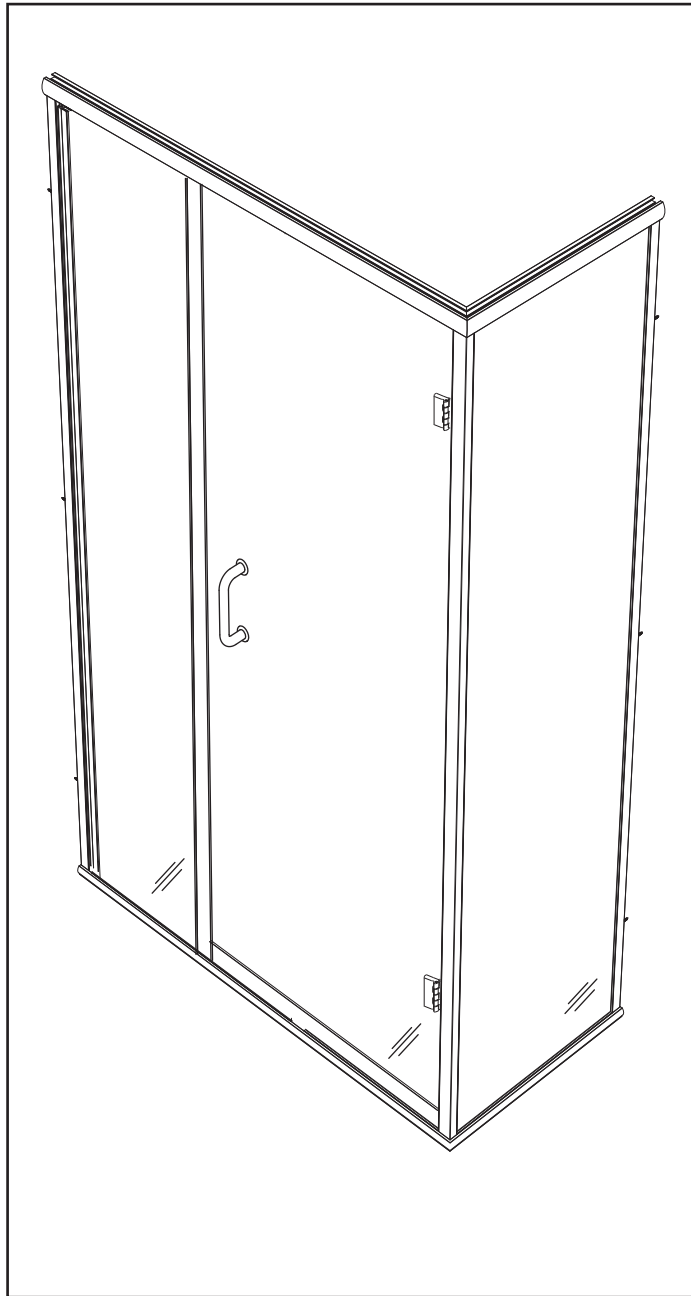
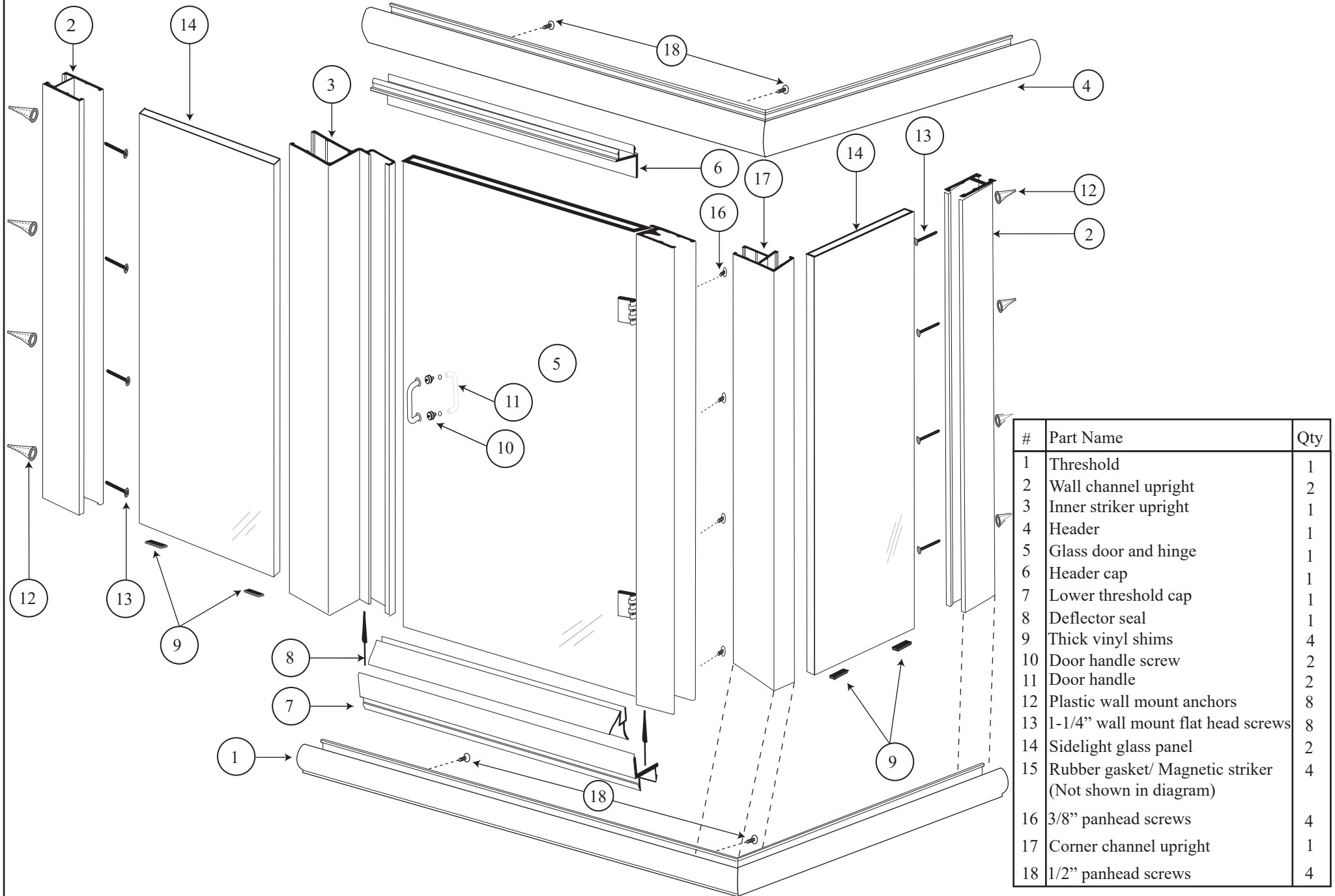


CHX-1631
Centec Hinged Framless Door
Instruction Manual

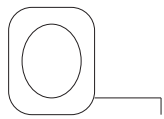


Detailed diagram of CHX-1631 components

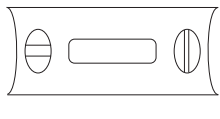


#	Part Name	Qty
1	Threshold	1
2	Wall channel upright	2
3	Inner striker upright	1
4	Header	1
5	Glass door and hinge	1
6	Header cap	1
7	Lower threshold cap	1
8	Deflector seal	1
9	Thick vinyl shims	4
10	Door handle screw	2
11	Door handle	2
12	Plastic wall mount anchors	8
13	1-1/4" wall mount flat head screws	8
14	Sidelight glass panel	2
15	Rubber gasket/ Magnetic striker (Not shown in diagram)	4
16	3/8" panhead screws	4
17	Corner channel upright	1
18	1/2" panhead screws	4

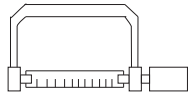
Tools required



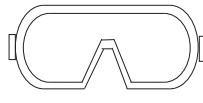
Tape Measure



Level



Hacksaw



Safety glasses



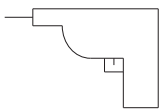
Drill bits (2) (#32 metal bit, 3/16" carbide masonry bit)



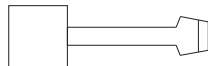
Masking tape



Scissors



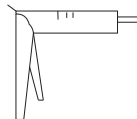
Drill



Flat head and
Phillips head
Screwdriver



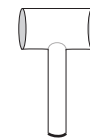
Pencil/Marker



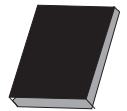
Caulking gun



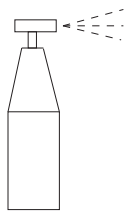
Piece of carpet/ padding



Rubber mallet



Glazing block/
piece of wood
(2"x 4")



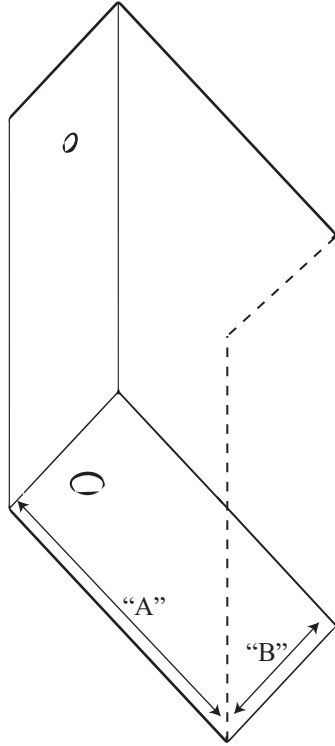
Windex



WARNINGS

- **Before starting, please read instructions carefully and thoroughly; then proceed step by step.
- **Please wear safety glasses and safety gloves whenever drilling or cutting tile or handling metal/glass parts.
- **When drilling through tile, carefully break through glazed surface only with sharp tool and then drill slowly.
- **Wall uprights must be installed level and plumb. Do not follow grout lines.
- **To insure complete customer satisfaction Century Bathworks recommends installation by a professional.
- **Risk of injury or product damage. Two people should perform this installation.
- **Do not cut the top and bottom track the same length for this installation.
- **Please carefully unpack all parts for your unit as listed on previous page and also check that you have all the tools as listed above.
- **If any parts are missing or damaged, please contact Century Bathworks or your dealer for replacements.

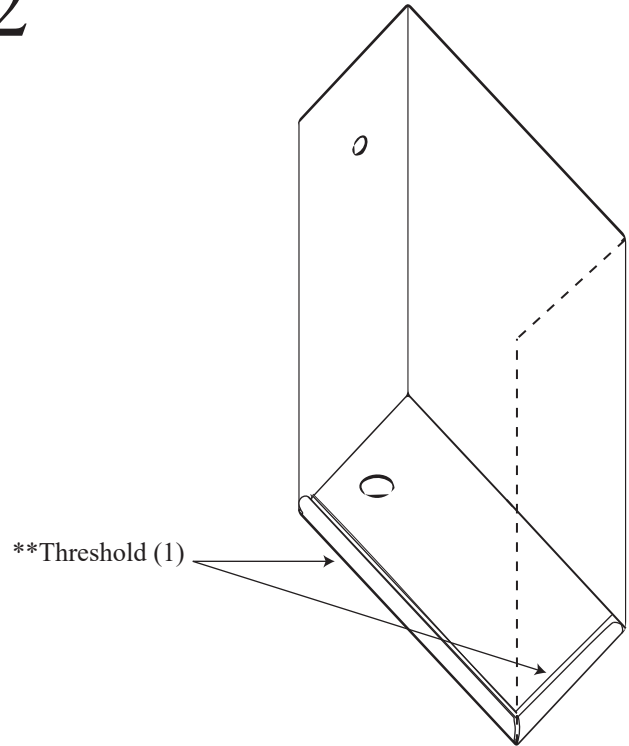
1



Required:
Tape measure

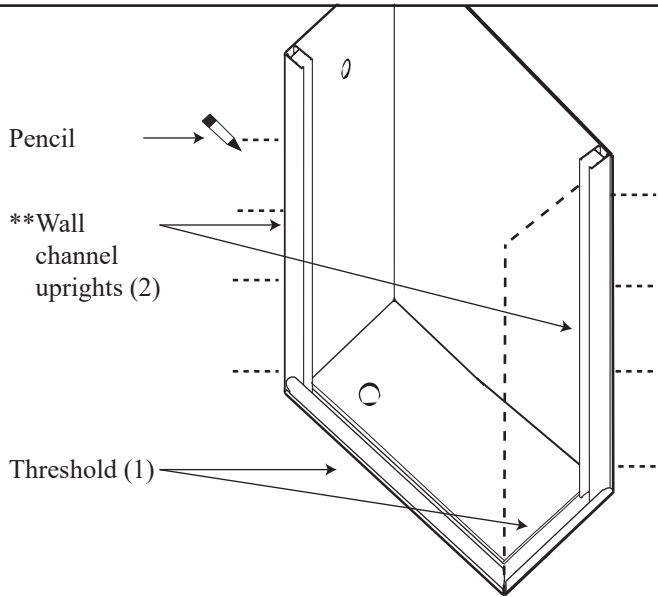
- Measure "A" and note distance between wall and corner at the base.
- Measure "B" and note distance between corner and wall at the base.

2



- Consider the length "A" and "B" from step 1.
- Place the threshold on the base as shown accordingly.
- ** Round side of threshold must face to the outside of shower.

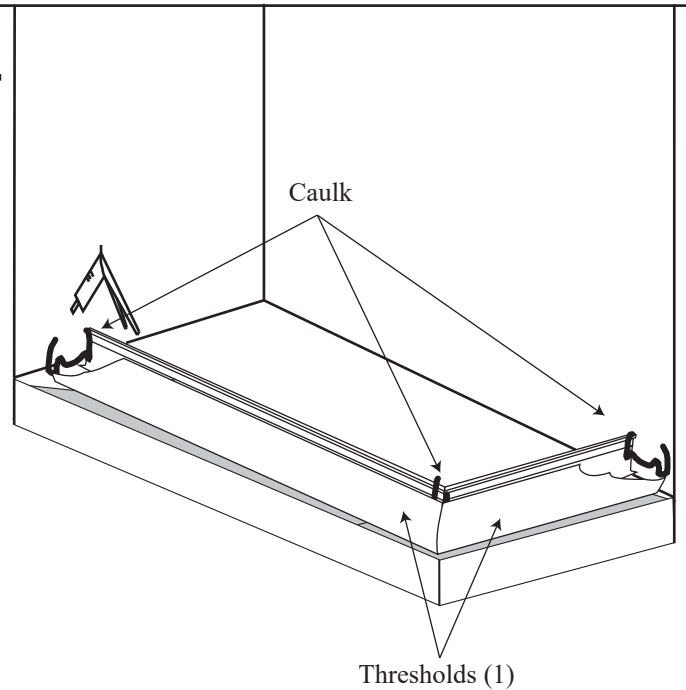
3



Required:
Pencil/Marker, masking tape, 3/16" carbide masonry bit, level, drill

- Place wall channel uprights on to the threshold sticking to the wall.
- Hold in place with masking tape. Make sure it is level and plumb.
- Mark the holes on the wall using a pencil or marker.
- Remove the wall channel uprights and threshold.
- Drill holes with 3/16" carbide masonry drill bit.
- Insert plastic wall anchors. Remove all the wall debris.

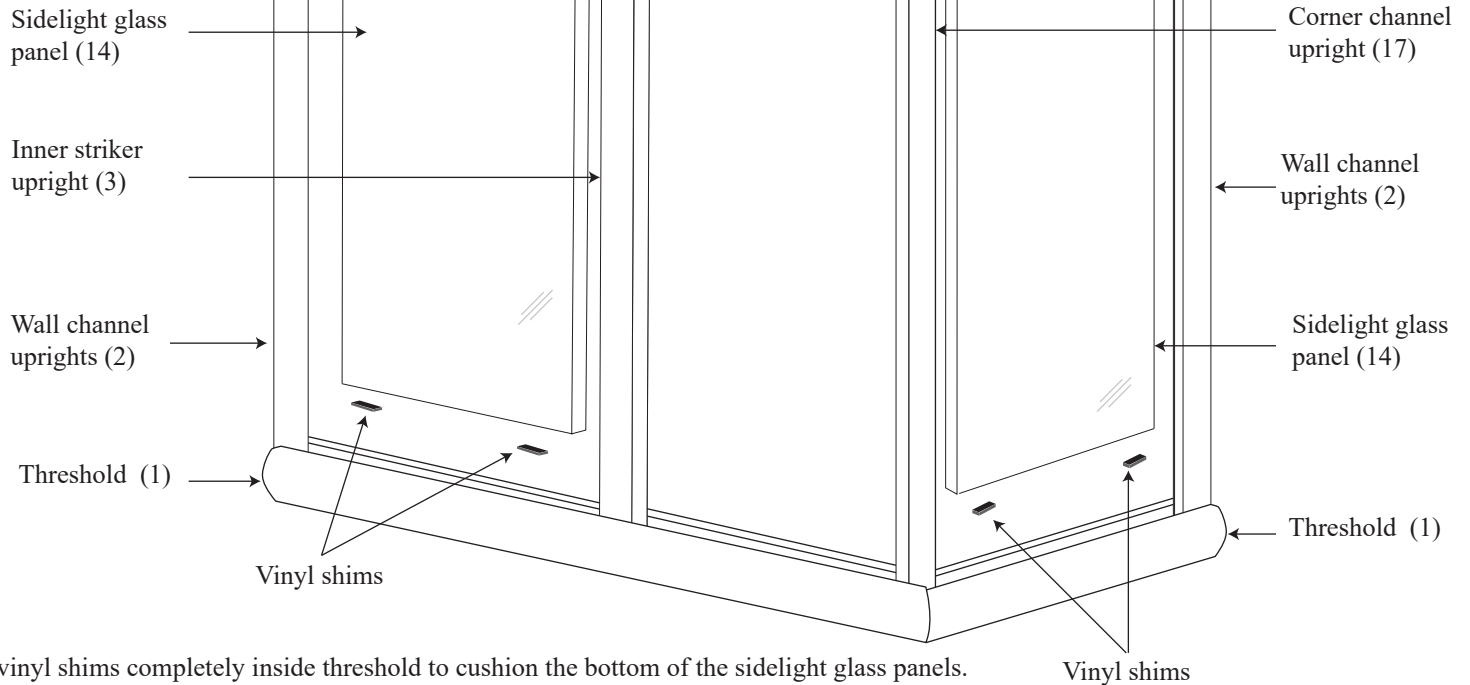
4



Required:
Caulking gun, drill/screwdriver

- Again place the threshold on the base and caulk inside of threshold from the top at each wall and at all the joints.
- After the caulking is done, screw wall channel uprights to wall through predrilled holes with 1-1/4" flathead screws.

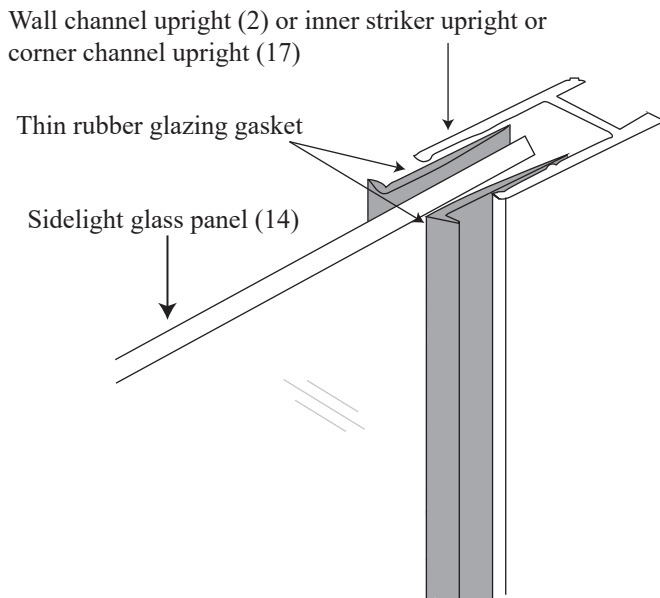
5



- Place vinyl shims completely inside threshold to cushion the bottom of the sidelight glass panels.
- Place sidelight glass panels on vinyl shims not more than halfway into wall channel uprights.
- Insert corner channel upright and inner striker upright over the glass halfway into the channel.

**Sidelight glass panel should only insert halfway into any uprights

6

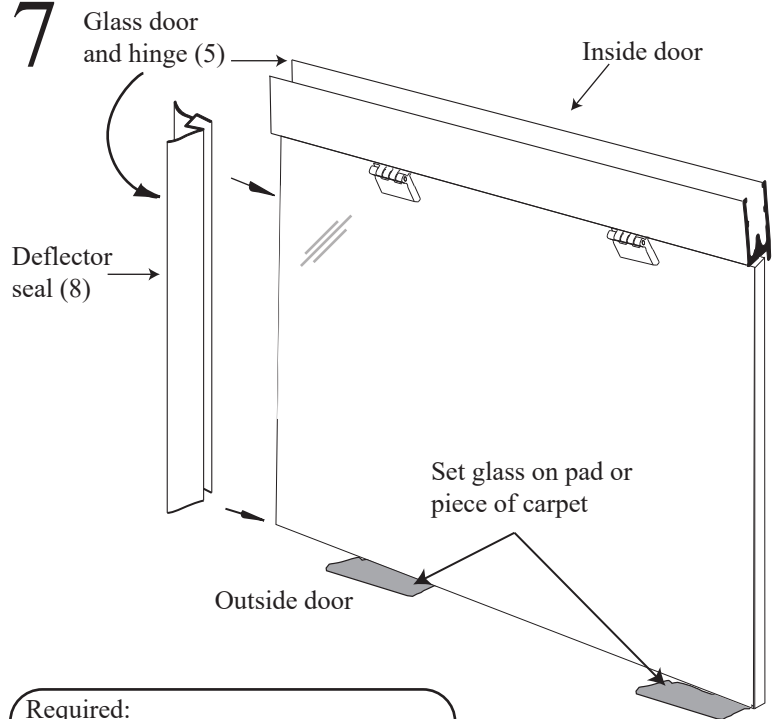


Required:
Glazing block or piece of wood

- Measure the thin rubber glazing gaskets for the vertical sides of the sidelight glass with a inch or two extra.
- From the top, insert between sidelight glass panel and wall channel upright/corner channel upright/inner striker upright.
- Trim at bottom. Do not stretch rubber, leave long.
- Tap glazing gaskets with glazing block or piece of wood.

** Use windex, if having difficulty while inserting rubber glazing gasket

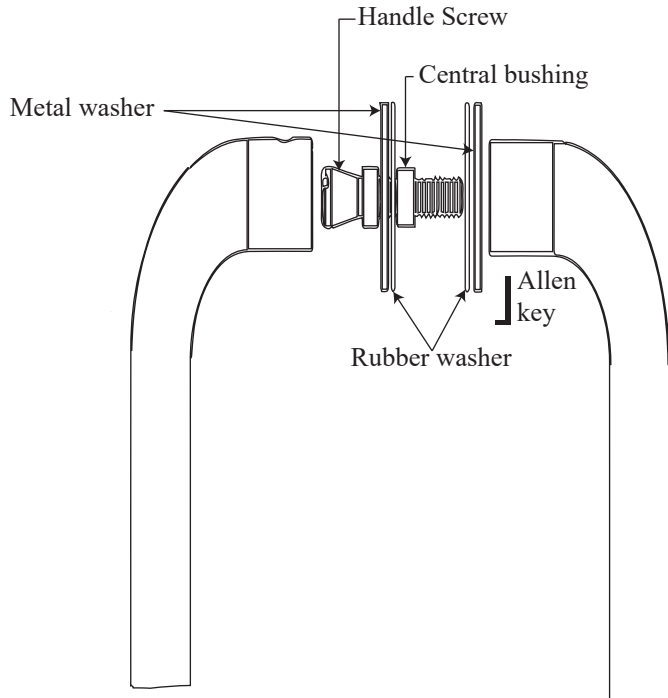
7



Required:
Rubber mallet, piece of carpet, scissors

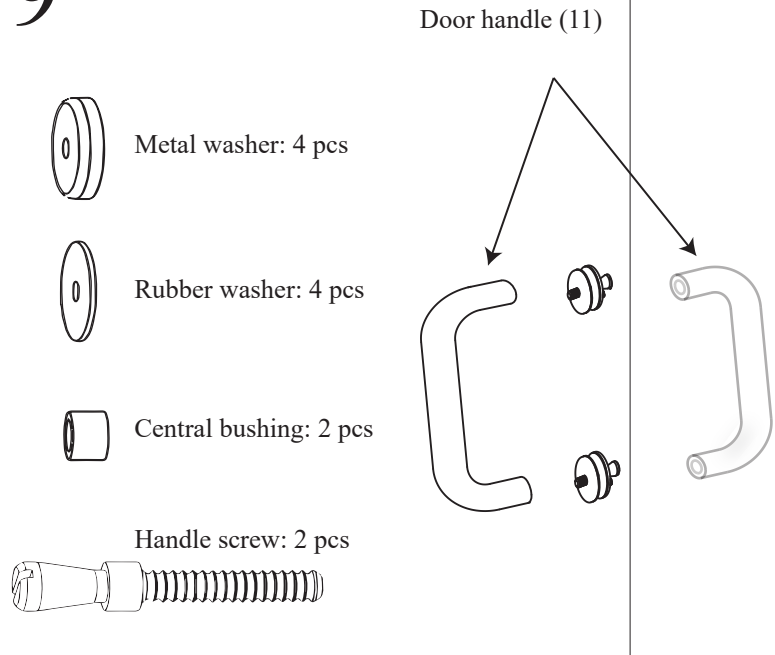
- Place the glass door on a piece of carpet/cardboard.
- Slide deflector seal on bottom of the door.
- Tap using rubber mallet making sure lip for deflector seal is on inside of door. Cut excess deflector seal.

8



- Unpack the handle assembly.
- It contains metal washer: 4 pcs
rubber washer: 4 pcs
handle screw: 2 pcs
central bushing: 2 pcs

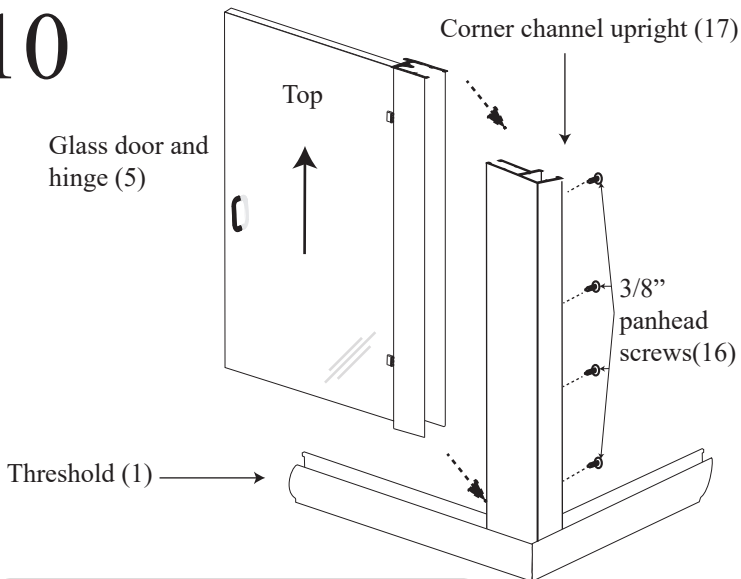
9



Required:
Flat head screwdriver

- Hold one pair of metal washers and rubber washers on one side of the glass and insert the screw through the glass. Make sure the screw rests on central bushing to protect glass from cracks. Use the screwdriver to place the handle screw into the door handle.
- Tighten the screw to the second door handle using Allen key

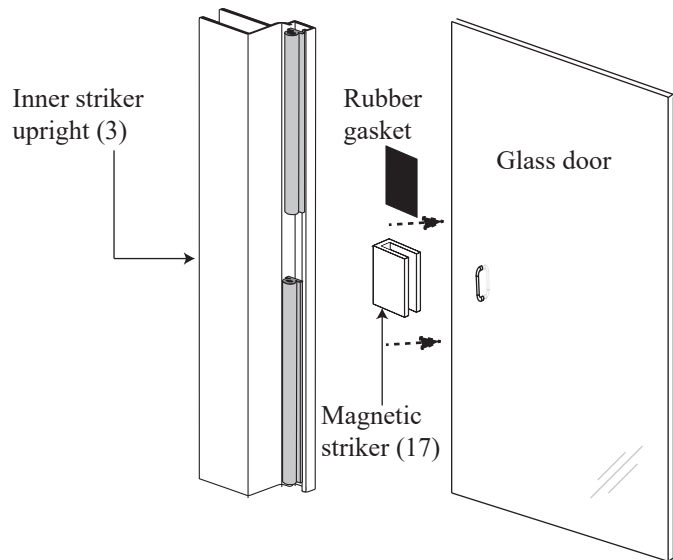
10



Required:
Masking tape, #32 metal drill bit, screwdriver

- Place glass door into the corner channel upright and hold into place with masking tape.
- Drill holes in hinge assembly to line up with pre-drilled holes on corner channel upright with #32 metal drill bit.
- Check the door swing and screw the assembly into place with 3/8" panhead screws.

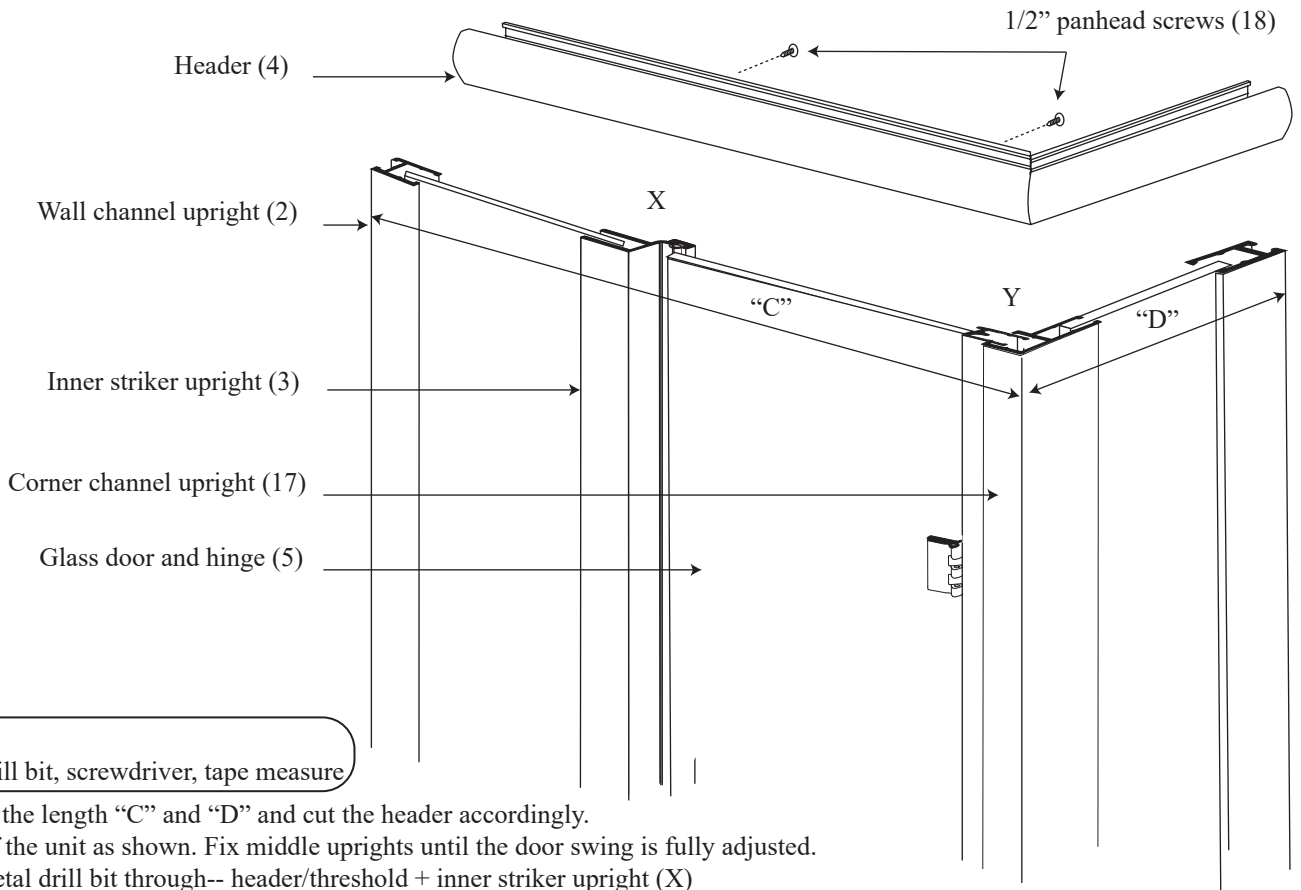
11



Required:
Rubber mallet, scissors

- Unpack the magnetic striker assembly.
- Close door and mark location of magnet on glass door, lining up with the space in the vinyl on striker upright.
- Wrap black rubber gasket over the edge of glass which aligns with the magnet on the inner striker upright (3).
- Tap the magnetic striker over the gasket using a rubber mallet to fit in place.
- Make sure magnetic striker matches up. Trim any gasket that shows.

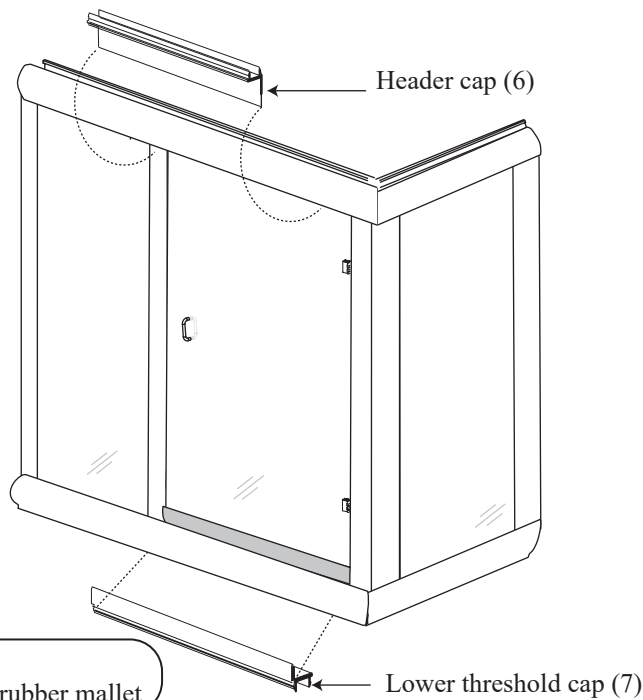
12



Required:
Hacksaw, #29 metal drill bit, screwdriver, tape measure

- Measure and consider the length "C" and "D" and cut the header accordingly.
- Place header on top of the unit as shown. Fix middle uprights until the door swing is fully adjusted. drill holes with #32 metal drill bit through-- header/threshold + inner striker upright (X)
header/threshold + glass door and hinge + corner channel upright (Y)
- Screw with 1/2" panhead screws into place.

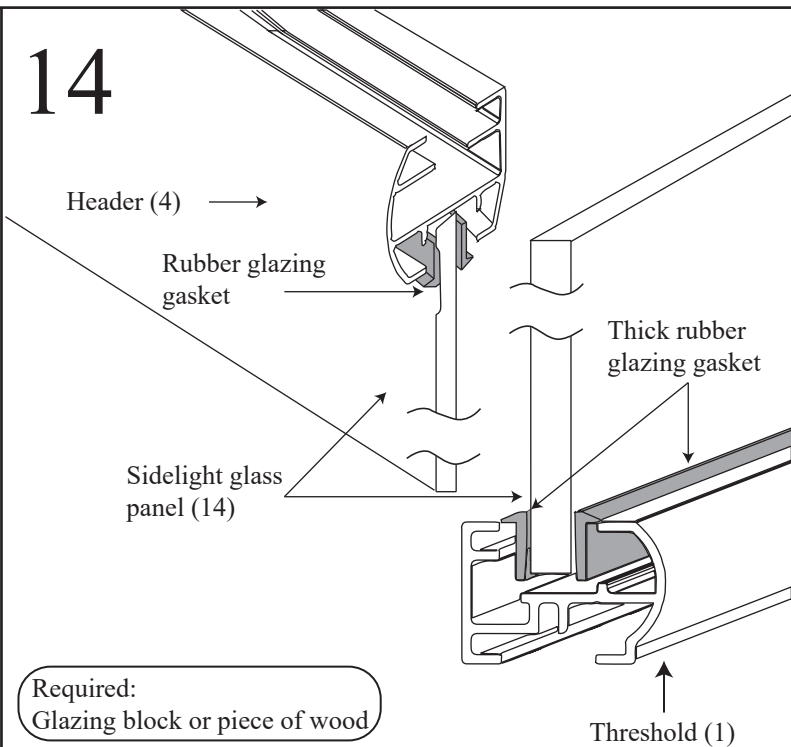
13



Required:
Hacksaw, rubber mallet

- Measure and cut the header cap and lower threshold cap and place it on top and bottom of door frame.
- Either tap onto place with rubber mallet or slide through the groove. Caulk in bottom of threshold.
- **Header cap will be the one with the longer leg.

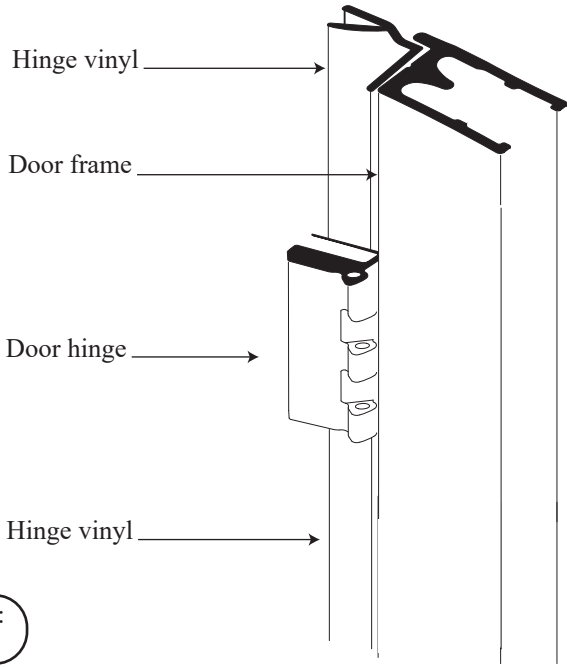
14



Required:
Glazing block or piece of wood

- Measure the larger rubber glazing gasket for the horizontal the sidelight glass panel with a inch or two extra.
- Insert between both the threshold and header to seal (inside and outside).
- Do not stretch rubber, leave long.
- Tap glazing gaskets with glazing block or piece of wood.
- **Use windex, if having difficulty inserting thick rubber glazing gaskets

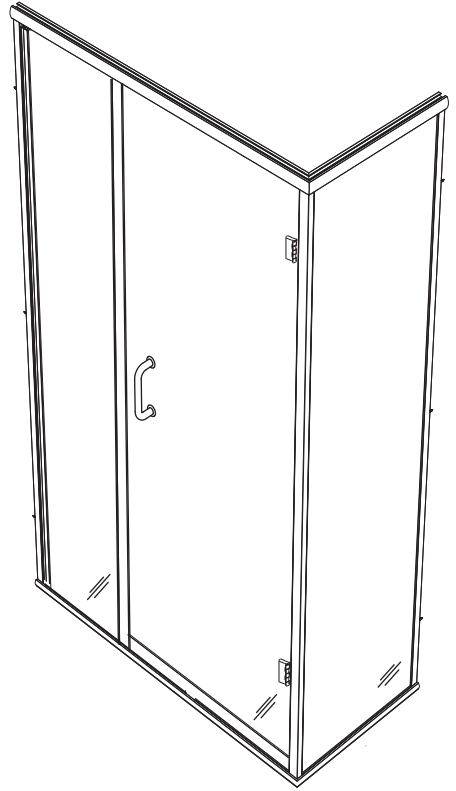
15



Required:
Scissors

- Cut the hinge vinyl to fit in between the hinges above and below the hinges.
- Vinyl must be cut to fit exactly in between the hinges to prevent water leakage. Also, the vinyl above the hinge and below the hinge must contact the hinge in order to prevent leakage.
- Vinyl is adhesive backed be careful to clean the metal before applying the hinge vinyl.
- When applying vinyl to the upright make sure the vinyl is lined up against the small leg of the hinge upright extrusion.

16



Required:
Caulking gun

- On completion of assembly and installation, caulk entire inside of the unit where it meets the wall and the base and the outside of threshold where it meets the walls and base to prevent water leakage.
- Wait for 24 hours before using, for silicone to dry.