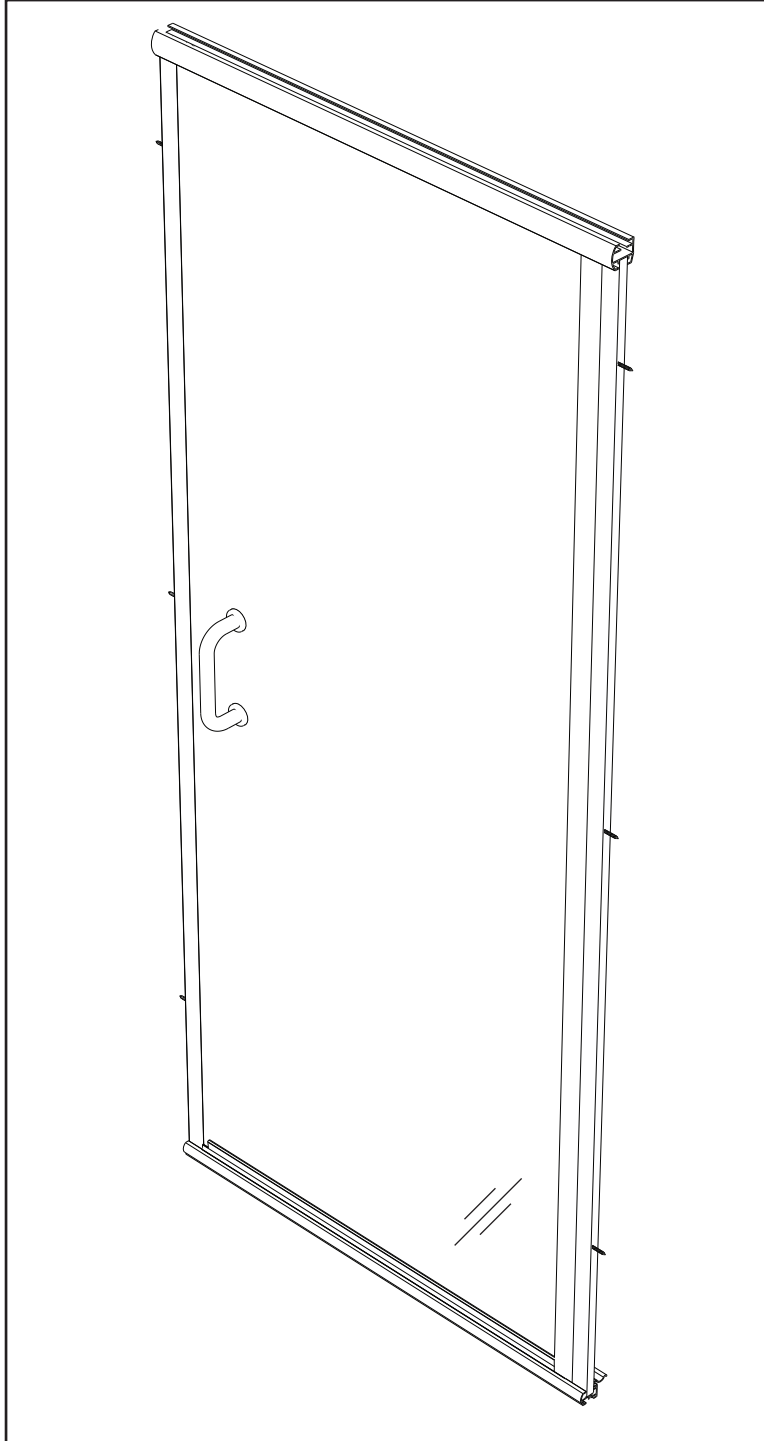
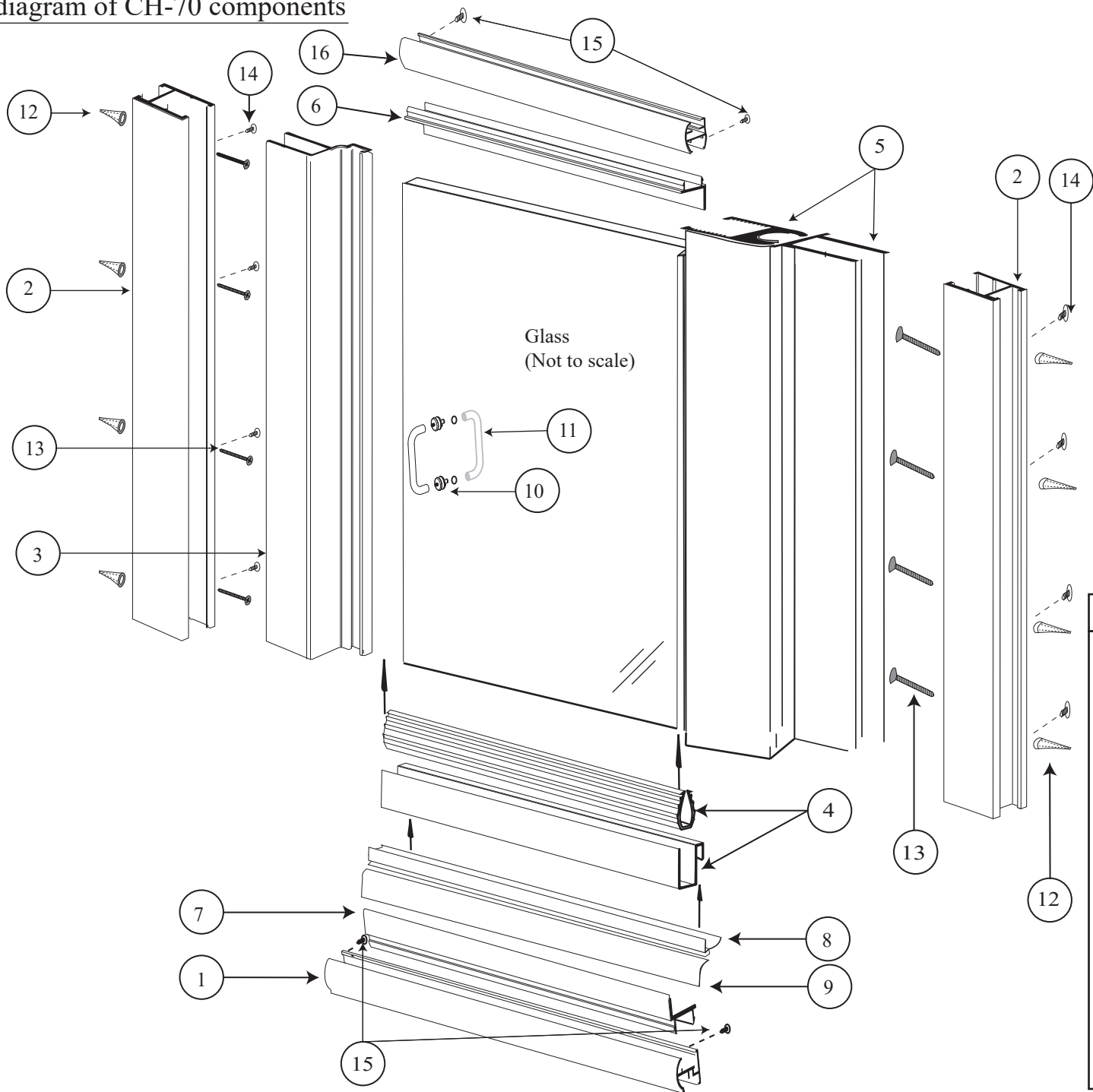


CH-70

Centec Hinged Frameless Door Installation Guide



Detailed diagram of CH-70 components



#	Part Name	Qty
1	Threshold	1
2	Outer wall channel upright	2
3	Inner striker upright	1
4	Vinyl liner and door frame	1
5	Glass door and hinge	1
6	Header cap	1
7	Lower threshold cap	1
8	Drip pan	1
9	Sweep	1
10	Door handle screw	2
11	Door handle	2
12	Plastic wall mount anchors	8
13	1-1/4" wall mount flat head screws	8
14	3/8" panhead screws	8
15	1/2" panhead screws	4
16	Header	1
17	Rubber gasket/ Magnetic striker (Not shown in diagram)	1

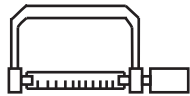
Tools required



Tape Measure



Level



Hacksaw



Safety glasses



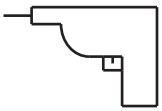
Drill bits (2) (#32 metal bit, 3/16" carbide masonry bit)



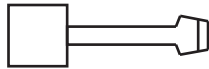
Masking tape



Scissors



Drill



Flat head and
Phillips head
Screwdriver



Pencil/Marker



Caulking gun



Piece of carpet/ padding



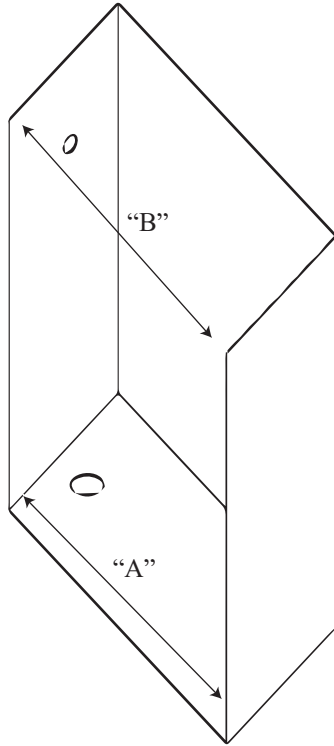
Rubber mallet



WARNINGS

- **Before starting, please read instructions carefully and thoroughly; then proceed step by step.
- **Please wear safety glasses and safety gloves whenever drilling or cutting tile or handling metal/glass parts.
- **When drilling through tile, carefully break through glazed surface only with sharp tool and then drill slowly.
- **Wall uprights must be installed level and plumb. Do not follow grout lines.
- **To insure complete customer satisfaction Century Bathworks recommends installation by a professional.
- **Risk of injury or product damage. Two people should perform this installation.
- **Do not cut the top and bottom track the same length for this installation.
- **Please carefully unpack all parts for your unit as listed on previous page and also check that you have all the tools as listed above.
- **If any parts are missing or damaged, please contact Century Bathworks or your dealer for replacements.

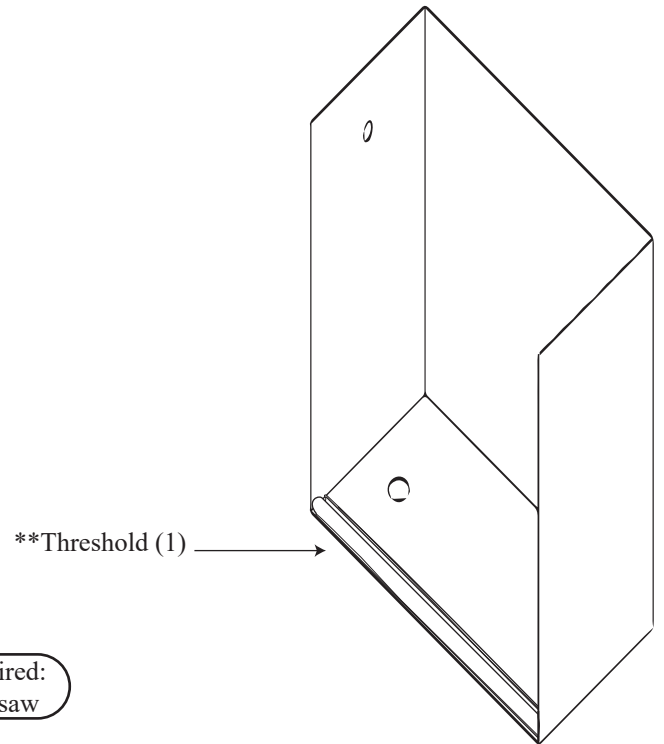
1



Required:
Tape measure

- Measure "A" and note distance between the walls at the base.
- Measure "B" and note distance between the walls at the top.

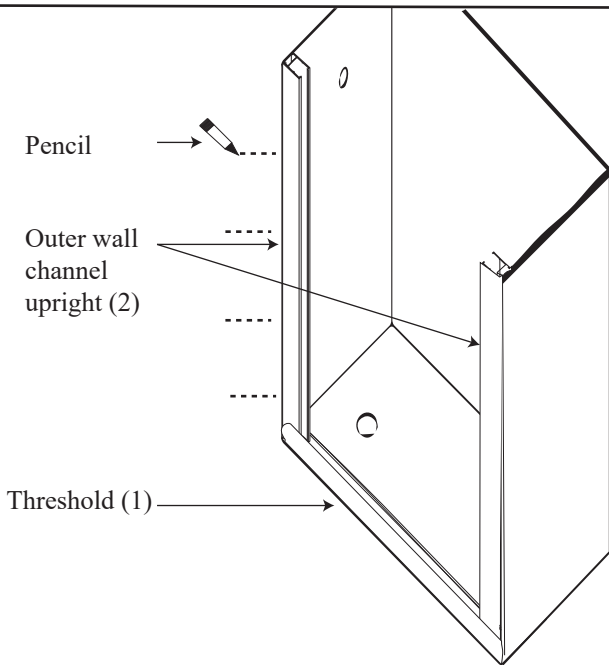
2



Required:
Hacksaw

- Consider the length "A" and cut the threshold accordingly.
- Place the threshold on the base as shown.
- ** Round side of threshold must face to the outside of shower.

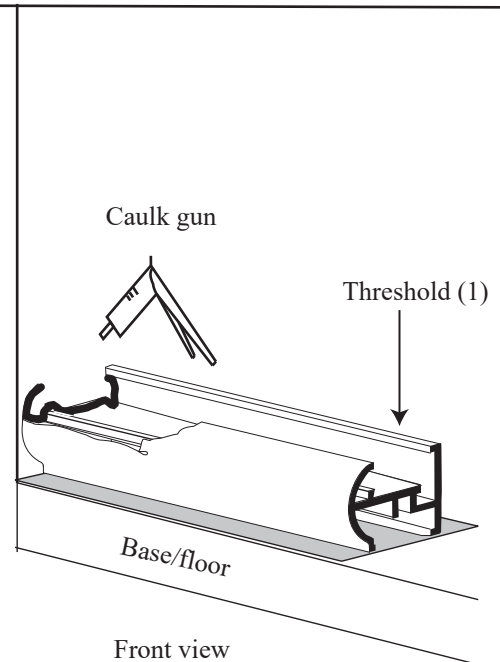
3



Required:
Pencil/marker, masking tape, 3/16" carbide masonry bit, drill, level

- Place the wall channel uprights on the threshold against wall.
- Hold in place with masking tape. Make sure it is level and plumb.
- Mark the holes on the wall using a pencil or marker.
- Remove the wall channel uprights and threshold.
- Drill holes with 3/16" carbide-tipped masonry bit.
- Insert plastic wall anchors. Remove all the wall debris.

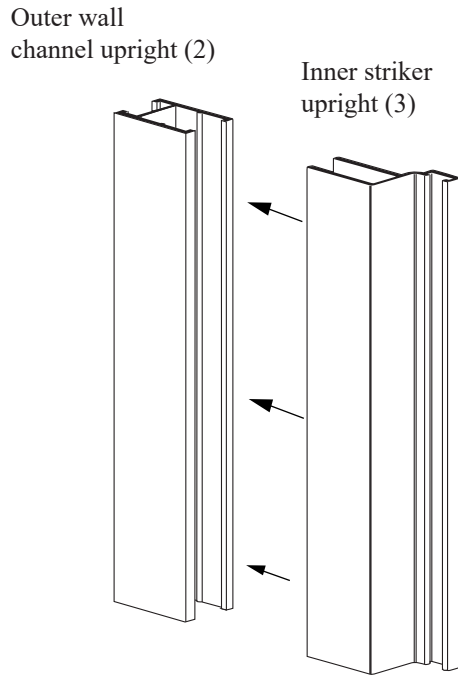
4



Required:
Caulking gun, drill/screwdriver

- Again, place the threshold on the base and caulk inside of threshold from the top at each wall and at all the joints.
- After the caulking is done, screw outer wall channel uprights to wall through predrilled holes with 1-1/4" flathead screws.

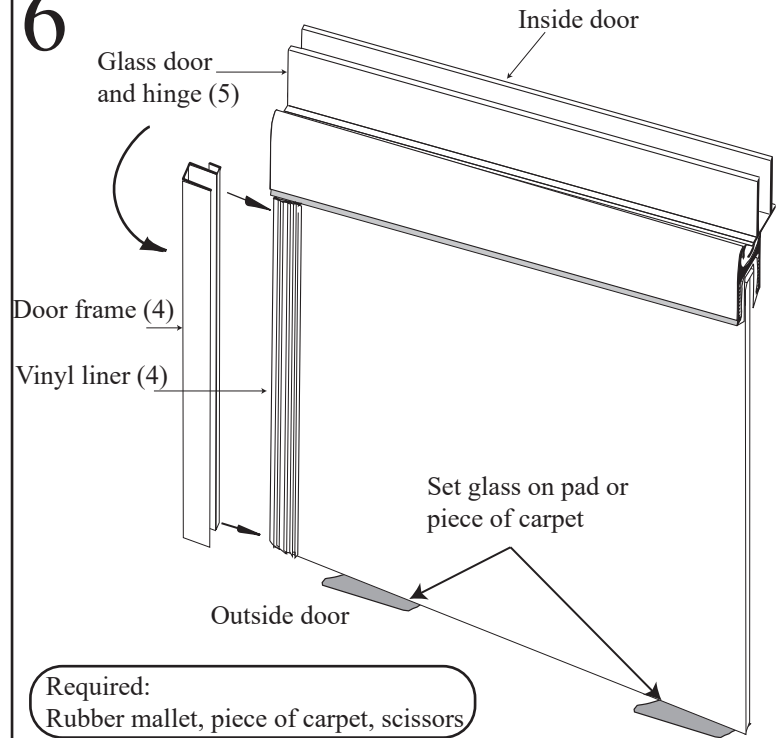
5



Required:
Masking tape

- Insert inner striker upright into wall channel upright as determined by the door swing and desired door location.
- Tape into place. (Note: Inner striker upright does not need to be pushed all the way into the outer wall channel upright)
(Do not screw until step 9 or 10)

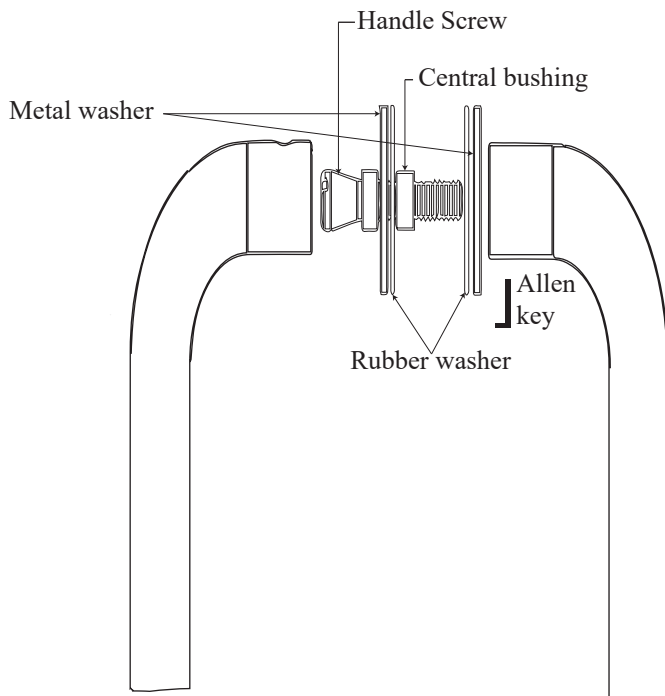
6



Required:
Rubber mallet, piece of carpet, scissors

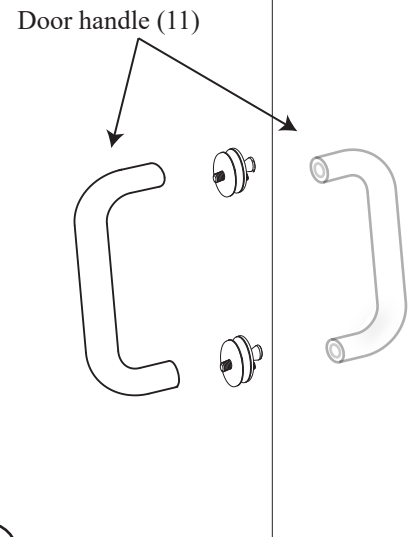
- Place the glass door on a piece of carpet.
- Slide vinyl liner on bottom of the door.
- Tap bottom door frame gently onto vinyl using a rubber mallet making sure lip for drip pan is on inside of door. Cut excess vinyl liner.

7



- Unpack the handle assembly.
- It contains metal washer : 4 pcs
rubber washer : 4 pcs
handle screw : 2 pcs
central bushing : 2 pcs

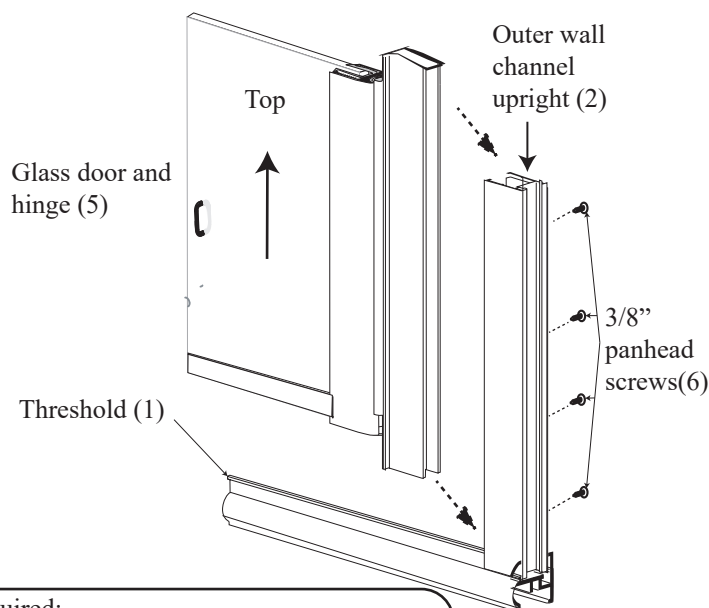
8



Required:
Flat head screwdriver

- Hold one pair of metal washers and rubber washers on one side of the glass and insert the screw through the glass. Make sure the screw rests on central bushing to protect glass from cracks. Use the screwdriver to place the handle screw into the door handle.
- Tighten the screw to the second door handle using Allen key

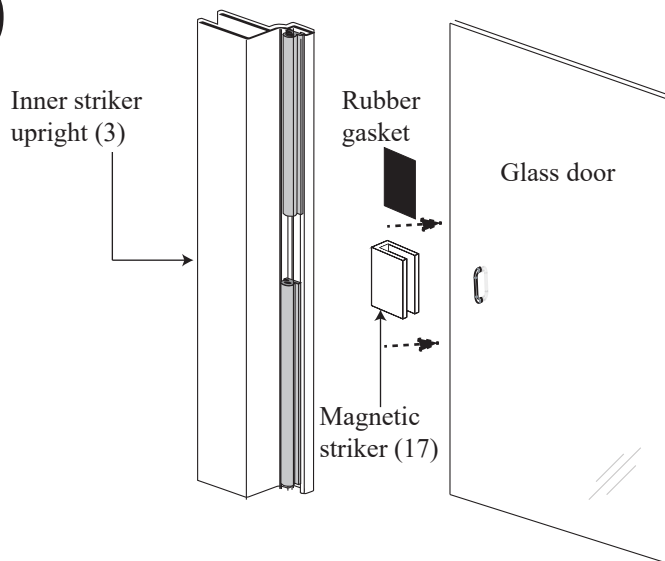
9



Required:
Masking tape, #32 metal drill bit, screwdriver

- Place glass door into the outer wall channel uprights or transition channel upright and hold into place with masking tape.
- Drill holes in hinge assembly to line up with pre-drilled holes on outer wall channel uprights with #32 metal drill bit.
- Drill holes on inner striker uprights to line up with the pre-drilled holes on opposite wall channel uprights.
- Check the door swing and screw the assembly into place with 3/8" panhead screws.
- Screw the inner striker upright into appropriate channel.

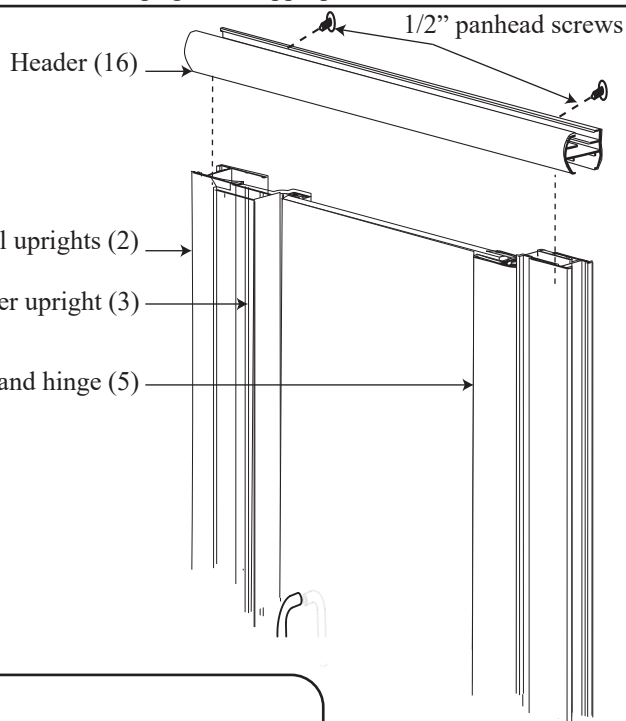
10



Required:
Rubber mallet, scissors

- Unpack the magnetic striker assembly.
- Close door and mark location of magnet on glass door, lining up with the space in the vinyl on striker upright.
- Wrap black rubber gasket over the edge of glass which aligns with the magnet on the inner striker upright (3).
- Tap the magnetic striker over the gasket using a rubber mallet to fit in place.
- Make sure magnetic striker matches up. Trim any gasket that shows

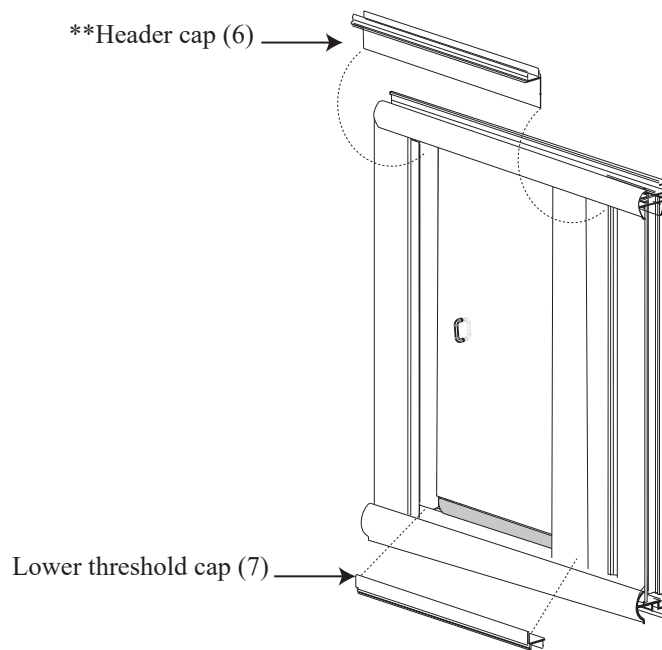
11



Required:
Hacksaw, #32 metal drill bit, screwdriver

- Consider the length "B" and cut the header accordingly.
- Place header on top of the unit as shown. Drill holes through header, inner striker upright, glass door/hinge with #32 metal drill bit and also at the bottom of the glass door through threshold, inner striker upright and glass door/hinge.
- Screw into place using 1/2" panhead screws.

12



Required:
Rubber mallet, hacksaw

- Measure and cut the header cap and lower threshold cap and place it on top and bottom of door frame.
- Either tap onto place with rubber mallet or slide through the groove. Caulk in bottom of threshold.
- **Header cap will be the one with the longer leg.

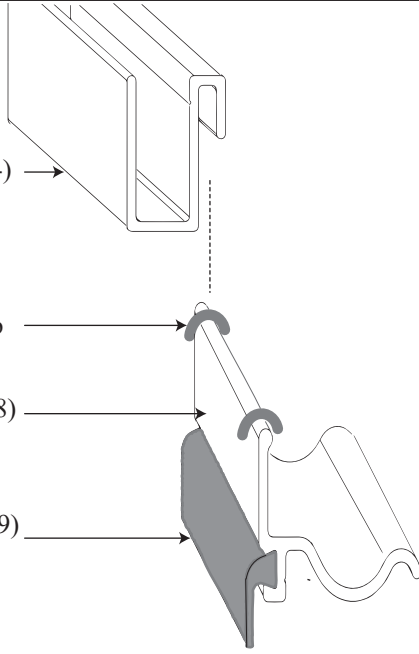
13

Bottom door frame (4) →

Foam strip →

Drip pan (8) →

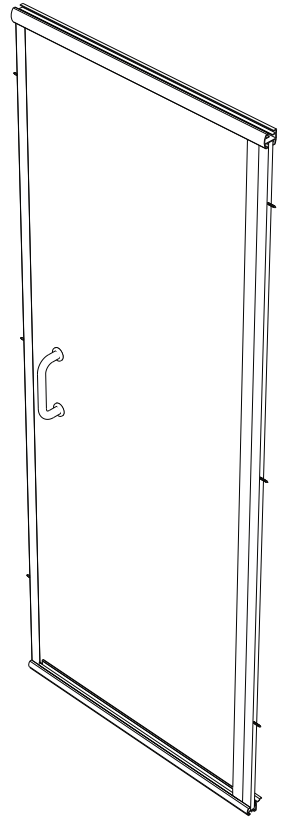
Sweep/ Drip pan grey vinyl (9) →



Required:
Caulking gun

- Trim the extra length of the sweep/drip pan grey vinyl and slide into the drip pan.
- Attach the assembled part (sweep and drip pan) to the bottom door frame. Peel coating from adhesive on foam strips (2 pcs). Stick the foam strip onto either end of drip pan, 2 inches in from ends (both sides)
- Apply line of silicone along the back of drip pan and slide the drip pan on the bottom of the door frame.

14



Required:
Caulk gun

- On completion of assembly and installation, caulk entire inside of the unit where it meets the wall and the base and the outside of threshold where it meets the walls and base to prevent water leakage.
- Wait for 24 hours before using, for silicone to dry.