

## Centec Premier Sliding Door

### Features:

- Softclose mechanism pulls door snug to the wall
- Header is Stainless Steel sheetmetal wrapped over a strengthened aluminum core
- Height adjustment within hangers
- Cushioned vinyl protects glass edge
- 5/8" tall water dam
- Accommodates openings up to 66" wide and 80" tall
- Standard 3/8" Glass

### Configurations:

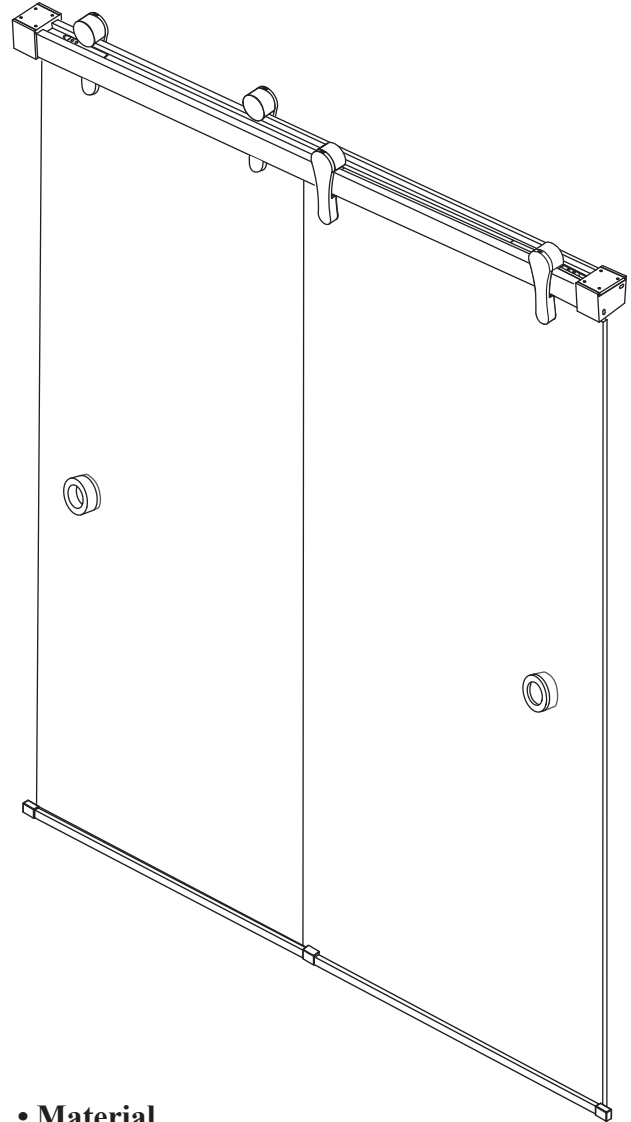
- Consists of 2 sliding doors on high grade precision rollers

### Glass coating option:

- Diamon-Fusion treatment helps protect the build up of soap scum and hard water deposits and reduces cleaning time by 50%. Simply wipe down with a washcloth or squeegee after showering.

### Codes/Standards

Tempered Glass  
ANSI Z97.1  
16 CFR 1201



### • Material

High quality Stainless Steel.

### • Colors

Available in Polished Stainless, Satin Stainless, Oil Rubbed Bronze, Matte Black.

### • Century Bathworks 3 year Limited Warranty

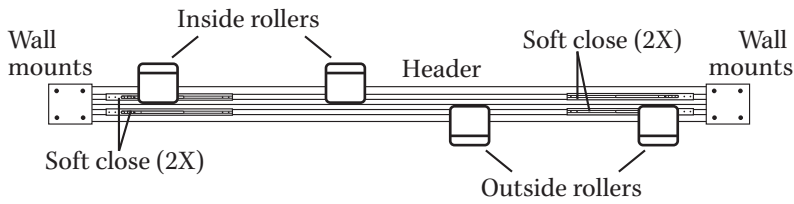
See website or call for detailed information.

### • Specifications

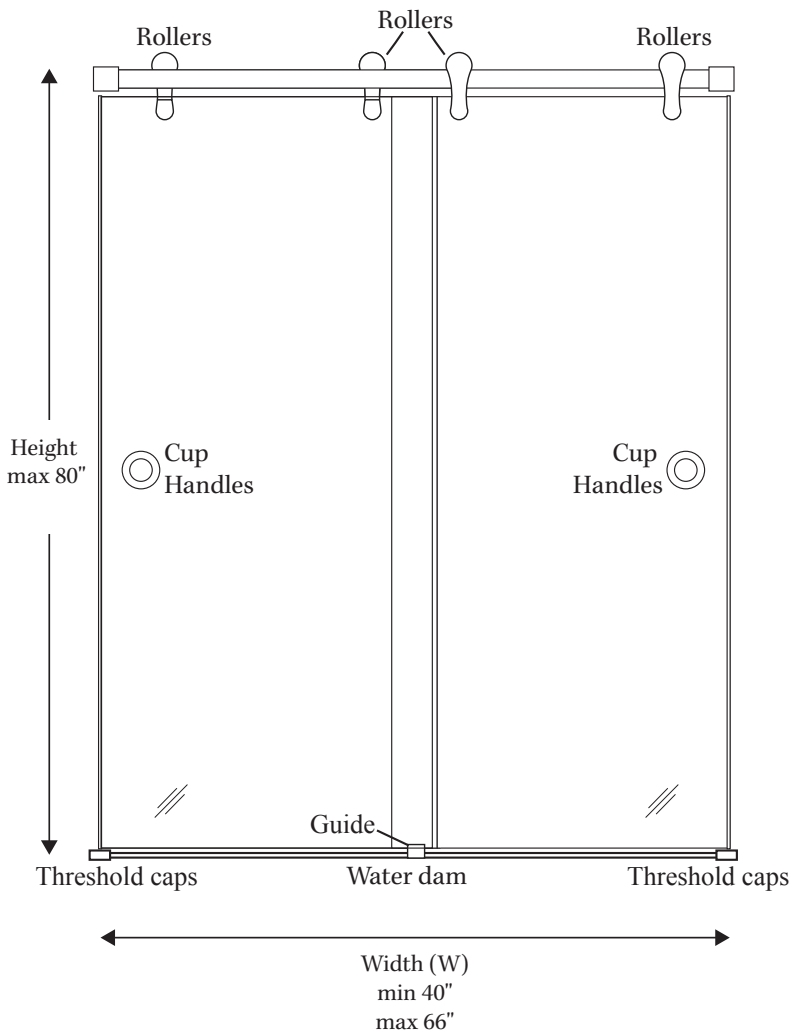
|                       |                          |
|-----------------------|--------------------------|
| Model Number:         | Premier bypass           |
| Door Type:            | Two sliding doors        |
| Opening style:        | Sliding                  |
| Opening width:        | Stock 45 - 47", 57 - 59" |
| Door sizes:           | Custom available         |
| Opening height stall: | 72 - 76"                 |
| Glass thickness:      | 3/8"                     |
| Assembly:             | Read installation guide  |
| Country of origin:    | United States of America |

# Centec Premier Sliding Door

**Top View**



**Front View**



**Side View**

