

# CREST CAPRICE

PRICE BOOK



**CENTURY**

BATHWORKS

---

973-785-4290 • 800-524-2578 • FAX 973-785-0777

INDEX.....2

SUMMARY.....3

CAPRICE ..... 4 - 5

CREST ..... 6 - 11

GLASS UPGRADES | FILLERS ..... 12 - 13

<b>FRAMED SLIDERS</b>	
K-1XX	Caprice Tub Enclosure
C-1XX	Crest Tub Enclosure
K-XXXX	Caprice Stall Bypass
C-XXXX	Crest Stall Bypass

**FRAMED HINGE ENCLOSURES**

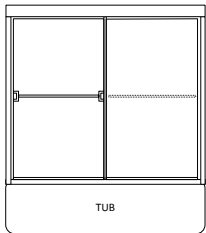
Hinge/Mount Type:	CREST Piano Hinge
CONFIGURATIONS	
64	X
70	X
71	X
1627	X
1628	X
1630	X
1631	X
1632	X
1669	X
1669 2/3	X

The table above is meant to display all available Crest hinge door models. An “X” indicates that the configuration is available for the corresponding hinge type. The following pages include pricing for the majority of models, though some have been excluded to simplify the book. Please contact us if you would like pricing for any enclosure that is not included in the book- we would be happy to help.

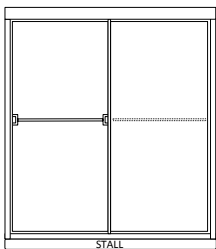
## CAPRICE BYPASS

### Standard Features:

- Builder's grade aluminum frame in a silver anodized finish
- Pricing shown assumes 5/32" Tempered Glass
- Standard easy clean track
- Vinyl jamb seals to eliminate caulking
- Adjustable rollers with ball bearings and nylon tires
- Single towel bars on each door attach to frame--chrome plated brackets and handles
- Caprice Model Available in Sliders Only

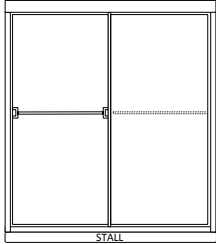


BYPASS TUB ENCLOSURE				
MODEL NUMBER	OPENING WIDTH	HEIGHT	CLEAR 5/32"	SPRAYLITE 5/32"
K-144	44-45"	58 1/8"	\$759	\$889
↓	↓			
K-150	50-51"			
K-151	51-52"			
↓	↓	55 7/8"	\$569	\$633
K-158	58-59"			
K-151-56	50 1/4- 51 1/4"			
K-153-56	53 1/2- 54 1/2"			
K-156-56	55- 56"			
K-157-56	56 1/4- 57 1/4"	55"	\$580	\$597
K-154-55	54-55"			



BYPASS STALL ENCLOSURE				
MODEL NUMBER	OPENING WIDTH	HEIGHT	CLEAR 5/32"	SPRAYLITE 5/32"
K-3970	39- 40"	70 7/8"	\$635	\$692
↓	↓			
K-4670	46- 47"			
K-4770	47- 48"			
K-4870	48- 49"	72 1/8"	\$654	\$705
K-5670	56-57"			
K-5870	58-59"			
K-4072	40- 41"	\$638	\$696	
K-4672	46- 47"			

Anodized aluminum may vary in shade and color among extrusions. Color variance is considered within factory tolerances in the Anodizing Industry.



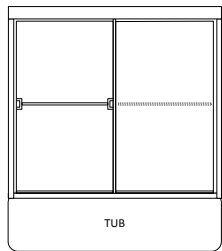
BYPASS MODULE STALL ENCLOSURE				
MODEL NUMBER	OPENING WIDTH	HEIGHT	CLEAR 5/32"	SPRAYLITE 5/32"
K-3966	39- 40"	66 1/8"	\$606	\$664
K-4666	46- 47"			
K-4766	47- 48"		\$624	\$675
K-4866	48- 49"			
K-4068	39- 40"	68 1/8"	\$606	\$662
K-4268	41 1/2- 42 1/2"			
K-4468	43 1/2- 44 1/2"			

Anodized aluminum may vary in shade and color among extrusions.  
 Color variance is considered within factory tolerances in the Anodizing Industry.

## CREST BYPASS

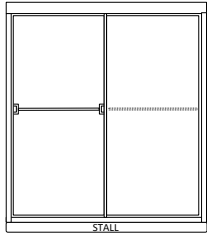
### Standard Features:

- Builder's grade aluminum frame in a silver anodized finish
- Pricing shown assumes 5/32" Tempered Glass
- Standard easy clean track
- Vinyl jamb seals to eliminate caulking
- Adjustable rollers with ball bearings and nylon tires
- Single towel bars on each door attach to frame--chrome plated brackets and handles



BYPASS TUB				
MODEL NUMBER	OPENING WIDTH	HEIGHT	CLEAR 5/32"	SPRAYLITE 5/32"
C-144	44- 45"	58 1/8"	\$792	\$949
↓	↓			
C-150	50- 51"			
C-151	51- 52"			
↓	↓			
C-158	58- 59"			
C-162	62- 63"			
C-164	63- 64"		\$925	\$690
C-165	64- 65"			
C-151-56	50 1/4- 51 1/4"	55 7/8"	\$611	\$631
C-153-56	53 1/2- 54 1/2"			
C-156-56	55- 56 1/4"			
C-157-56	56 1/4"- 57 1/4"			
C-154-55	54- 55"	55"	\$600	\$620

Anodized aluminum may vary in shade and color among extrusions.  
Color variance is considered within factory tolerances in the Anodizing Industry.



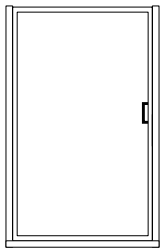
BYPASS STALL					
MODEL NUMBER	OPENING WIDTH	HEIGHT	CLEAR 5/32"	SPRAYLITE 5/32"	
C-3966	39- 40"	66 1/8"	\$642	\$707	
↓	↓				
C-4666	46- 47"		68 1/8"	\$697	\$760
C-4766	47-48"				
↓	↓				
C-5366	53- 54"			\$726	\$794
C-5466	54- 55"				
↓	↓	70 7/8"	\$663	\$732	
C-5866	58- 59"				
C-4068	39- 40"		\$720	\$786	
C-4268	41 1/2- 42 1/2"				
C-4468	43 1/2- 44 1/2"	\$750	\$822		
C-3970	39- 40"				
↓	↓			\$674	\$745
C-4670	46- 47"				
C-4770	47-48"	\$825	\$853		
↓	↓				
C-5370	53- 54"				
C-5470	54- 55"	72 1/8"	\$674	\$745	
↓	↓				
C-5870	58- 59"				
C-4072	40- 41"	72 1/8"	\$674	\$745	
C-4672	46- 47"				
C-5872	58- 59"				

Anodized aluminum may vary in shade and color among extrusions.  
 Color variance is considered within factory tolerances in the Anodizing Industry.

## CREST HINGED

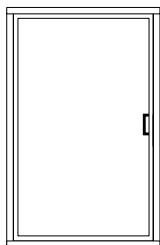
### Standard Features:

- Builder's grade aluminum frame in a silver anodized finish
- Pricing shown assumes 5/32" Tempered Glass
- Allows 1/4" up or down in width adjustment; For outages greater than 3/16" fillers are recommended.
- Continous piano hinge adds stability
- Cornice header comes standard; Flat headers are available, and will reduce the height by 7/8"
- Handles attach to the frame



C-64 MODULE SINGLE DOOR (NO HEADER)				
MODEL NUMBER	OPENING WIDTH	HEIGHT	CLEAR 5/32"	SPRAYLITE 5/32"
C-64-21 1/2	21 1/2- 22"	64 3/4"	\$400	\$434
↓	↓			
C-64-26	26- 26 1/2"		\$438	\$476
C-64-26 1/2	26 1/2- 27"			
↓	↓		\$448	\$489
C-64-29 1/2	29 1/2- 30"			
C-64-30	30- 30 1/2"			
↓	↓			
C-64-31 1/2	31 1/2- 32"			

\*Regular Header available—unit height would be 66 1/2". Flat Header also available—unit height would be 65 5/8"



C-70 SINGLE DOOR				
MODEL NUMBER	OPENING WIDTH	HEIGHT	CLEAR 5/32"	SPRAYLITE 5/32"
C-70-20 1/2	20 1/2- 21"	71 1/4"	\$439	\$460
↓	↓			
C-70-24 1/2	24 1/2- 25"		\$478	\$506
C-70-25	25- 25 1/2"			
↓	↓		\$498	\$522
C-70-28 1/2	28 1/2- 29"			
C-70-29	29- 29 1/2"			
↓	↓			
C-70-32	32- 32 1/2"			

Anodized aluminum may vary in shade and color among extrusions. Color variance is considered within factory tolerances in the Anodizing Industry.

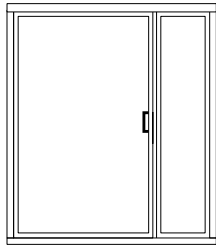


## CREST DOOR AND PANEL

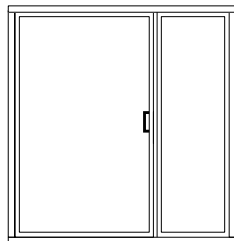
### Standard Features:

- Builder's grade aluminum frame in a silver anodized finish
- Pricing shown assumes 5/32" Tempered Glass
- Allows 1/2" up or down in width adjustment; For outages greater than 3/16" fillers are recommended.
- Continuous piano hinge adds stability
- Cornice header comes standard; Flat headers are available, and will reduce the height by 7/8"
- Handles attach to the frame

### \* Buttruss available



CM-1627 MODULE DOOR & PANEL (FLAT HEADER)				
MODEL NUMBER	OPENING WIDTH	HEIGHT	CLEAR 5/32"	SPRAYLITE 5/32"
CM-1627-30	31- 32"	65 5/8"	\$596	\$637
↓	↓			
CM-1627-35	35- 36"			
CM-1627-36	36- 37"		\$643	\$688
↓	↓			
CM-1627-40	40- 41"			
CM-1627-41	41- 42"		\$708	\$758
↓	↓			
CM-1627-47	47- 48"			
CM-1627-48	48- 49"		\$765	\$816
↓	↓			
CM-1627-53	53- 54"			
CM-1627-54	54- 55"		\$821	\$859
↓	↓			
CM-1627-59	59- 60"			
C-1627 KO	39 1/4- 40 1/4"	68 3/8"	\$655	\$704
C-1627 MOD	43 1/4- 44 1/4"		\$691	\$764



C-1627 DOOR & PANEL				
MODEL NUMBER	OPENING WIDTH	HEIGHT	CLEAR 5/32"	SPRAYLITE 5/32"
C-1627-30	31- 32"	71 1/4"	\$631	\$646
↓	↓			
C-1627-35	35- 36"			
C-1627-36	36- 37"		\$676	\$694
↓	↓			
C-1627-40	40- 41"			
C-1627-41	41- 42"		\$749	\$772
↓	↓			
C-1627-47	47- 48"			
C-1627-48	48- 49"		\$815	\$841
↓	↓			
C-1627-53	53- 54"			
C-1627-54	54- 55"		\$855	\$885
↓	↓			
C-1627-59	59- 60"			

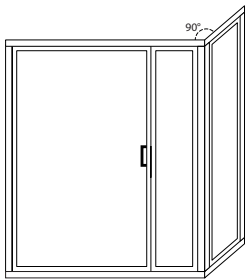
Anodized aluminum may vary in shade and color among extrusions.  
Color variance is considered within factory tolerances in the Anodizing Industry.

## CREST CORNER ENCLOSURE

### Standard Features:

- Builder's grade aluminum frame in a silver anodized finish
- Pricing shown assumes 5/32" Tempered Glass
- 90° corner post with slide on verticals
- Enclosure is built to the exact centerline dimensions-- see measuring guide
- Cornice header comes standard (and is left oversized and pre-assembled); Flat headers are available, and will reduce the height by 7/8"
- Threshold is cut to size and pre-assembled
- Allows 1/4" up or down in width adjustment on front & return
- Continuous piano hinge adds stability
- Must specify left or right return panel
- Handles attach to the frame

### \* Butress available



C-1631 DOOR & PANEL WITH 90° RETURN PANEL				
MODEL NUMBER	OPENING WIDTH	HEIGHT	CLEAR 5/32"	SPRAYLITE 5/32"
C-1631 NS1	Centerline up to 34 1/2 x 34 1/2"	71 1/4"	\$1,242	\$1,437
C-1631 NS2	Centerline up to 40 1/2 x 34 1/2"		\$1,280	\$1,486
C-1631 NS3	Centerline up to 40 1/2 x 40 1/2"		\$1,336	\$1,658
C-1631 NS4	Centerline up to 48" x 36"		\$1,371	\$1,622
C-1631 NS5	Centerline up to 48" x 48"		\$1,484	\$1,839
C-1631 NS6	Centerline up to 54" x 36"		\$1,427	\$1,649
C-1631 NS7	Centerline up to 54" x 48"		\$1,540	\$1,866
C-1631 NS8	Centerline up to 60" x 36"		\$1,462	\$1,677
C-1631 NS9	Centerline up to 60" x 48"		\$1,596	\$1,893

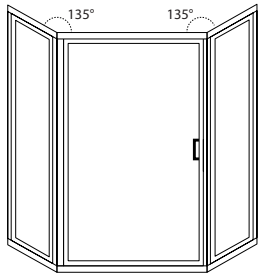
Anodized aluminum may vary in shade and color among extrusions.  
Color variance is considered within factory tolerances in the Anodizing Industry.

## CREST NEO ANGLE STALL

**Standard Features:**

- Builder's grade aluminum frame in a silver anodized finish
- Pricing shown assumes 5/32" Tempered Glass
- Standard 135° angles-- custom angles are available (call for pricing)
- Bottom track is cut to the exact centerline dimensions and pre-assembled
- Continuous piano hinge adds stability
- Must specify left or right return panel
- Cornice header comes standard (and is left oversized and preassembled); Flat headers are available, and will reduce the height by 7/8"
- Handles attach to the frame

**\* Buttress available**



C-1669 PANEL, DOOR, PANEL- NEO-ANGLE				
MODEL NUMBER	OPENING WIDTH	HEIGHT	CLEAR 5/32"	SPRAYLITE 5/32"
C-1669-S1	16 1/2" x 24 1/4" x 16 1/2" FITS: 36" x 36" BASE	71 1/4"	\$988	\$1,061
C-1669-S2	16 1/2" x 25 1/4" x 16 1/2" FITS: 36" x 36" BASE			
C-1669-S3	17 1/2" x 24 1/4" x 17 1/2" FITS: 38" x 38" BASE			
C-1669-S4	18 1/2" x 24 1/4" x 18 1/2" FITS: 36" x 36" BASE			
C-1669-NS1	Centerline up to 18 1/2" x 24 1/4" x 18 1/2"		\$1,112	\$1,387
C-1669-NS2	Centerline up to 22 1/2" x 26 1/4" x 22 1/2"		\$1,249	\$1,589
C-1669-NS3	Centerline up to 30 1/2" x 28 1/4" x 30 1/2"		\$1,438	\$1,884
C-1669-NS4	Centerline up to 36"x 30"x 36"		\$1,510	\$1,966
C-1669-NS 2/3	Two Thirds of a 135° Neo Angle Centerline up to 18 1/2" x 24 1/4"		\$812	\$998
C-1669 LA	17 1/2" x 22 1/2" x 17 1/2"		65 5/8"	\$1,046
C-1669 LA2P	17 1/2" x 23 7/8" x 17 1/2"	\$1,049		\$1,300

Anodized aluminum may vary in shade and color among extrusions.  
Color variance is considered within factory tolerances in the Anodizing Industry.

**AVAILABLE UPGRADES FOR 5/32" GLASS**

<b>Glass Patterns/Tints</b>	<b>Sq.Ft. List Price</b>
<b>Aqualite (Spraylite)</b>	\$21
<b>Niagra (Rain)</b>	\$21
<b>Stipolite (Pattern 62)</b>	\$21
<b>Reed</b>	\$44

\* Please call to check availability of ALL glass upgrades. Also, please note that Aqualite glass has inherent flaws in the pattern which cannot be avoided. We would recommend explaining this to any customers interested in this glass in order to set expectations.

Prices shown are per square foot and are incremental to clear glass price, so can be added to the unit list price.

Formula for Square Feet:

Door Width (inches) X Door Height (inches) ÷ 144 = SF

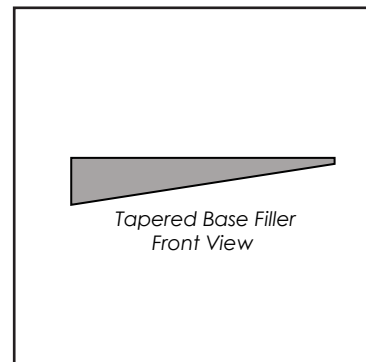
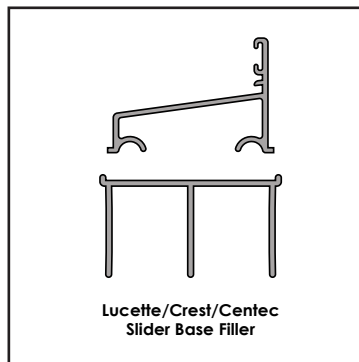
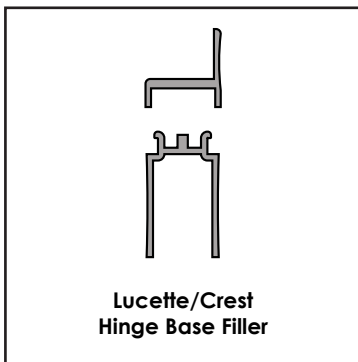
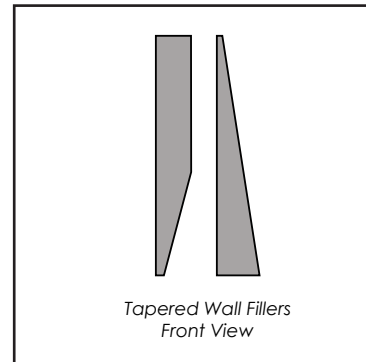
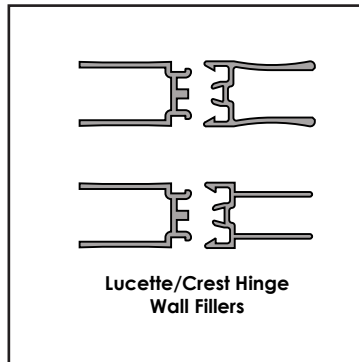
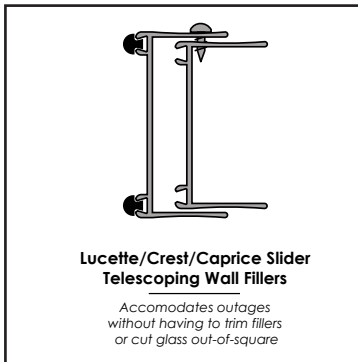
Example: 28" x 80" = 2240 ÷ 144 = 15.55 SF(Round to whole number)

	<b>\$/ SQ FT</b>
Diamon Fusion	\$10

Diamon Fusion is a one-time, chemical treatment that is applied to and absorbed by the glass in order to add a layer of protection to the glass, reducing the required cleaning time.

(APPLIED TO BOTH SIDES OF THE GLASS)

FILLERS		
	DESCRIPTION	PRICE
Straight Fillers (Slider or Hinged Models)	Up to 1/2" filler to the wall	Add \$49 to list price, per jamb
	Up to 1" filler to the wall	Add \$63 to list price, per jamb
Tapered Fillers (Slider or Hinged Models)	Custom made filler cut per customer specification for out of plumb or out of level conditions	0-1"- Add \$100 to list price, per filler
		1-2"- Add \$192 to list price, per filler
		Over 2"- contact Century for a quote.
Telescopic Expanders (Slider Models ONLY)	Used when wall of 2 door slider is out of plumb. Expander attaches to wall and side jamb is inserted into it. Jamb can now be adjusted from 0-3/4" by moving jamb inside of the expander.	Add \$78 to list price, per jamb



Anodized aluminum may vary in shade and color among extrusions. Color variance is considered within factory tolerances in the Anodizing Industry.