



Please Fax to 973-785-0777

• MEASURE THE EXACT FINISHED OPENING. Century will provide deductions.

• Note if walls or sill dimensions vary

CUSTOMER \_\_\_\_\_ CONTACT NAME \_\_\_\_\_ DATE \_\_\_\_\_

PHONE # \_\_\_\_\_ FAX # \_\_\_\_\_ PO # \_\_\_\_\_

Circle enclosure you are ordering: Glasstec Brassline Centec Lucette Crest Caprice

Model # \_\_\_\_\_

Metal Finish \_\_\_\_\_

Glass \_\_\_\_\_

Height:  Standard \_\_\_\_\_

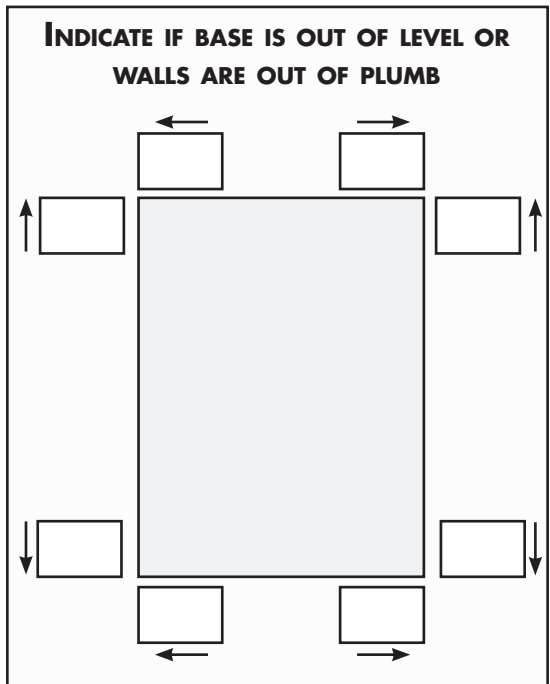
Custom \_\_\_\_\_  Full \_\_\_\_\_

Hardware Upgrade \_\_\_\_\_

Special Instructions \_\_\_\_\_

Unit as Shown  Reverse

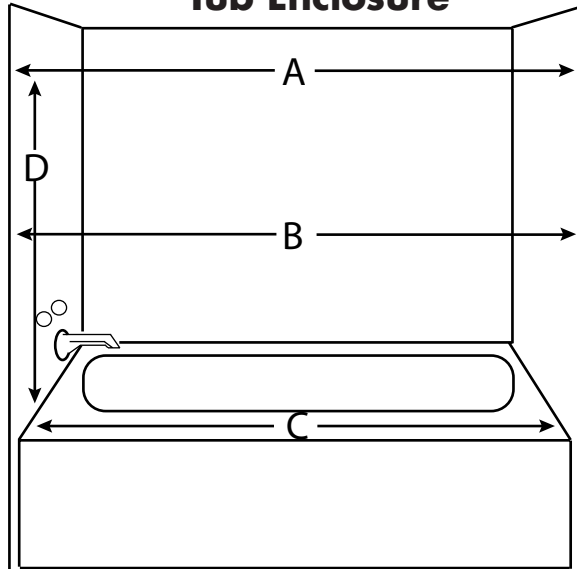
Shower Head:  Left  Right



Internal Use Only:

Quoted List \$ \_\_\_\_\_ Quoted By: \_\_\_\_\_

**Tub Enclosure**



Use Centerline Dimension for All Enclosures

A

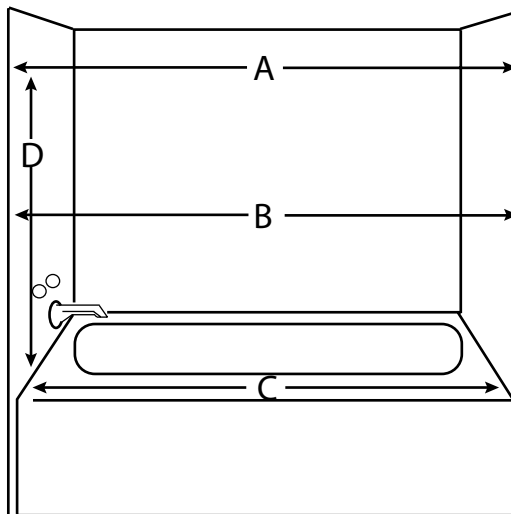
B

C

D

E

**Tub Enclosure with In-Line Panel**



Use Centerline Dimension for All Enclosures

A

B

C

D

E

F

Customer Signature - Required to Confirm Dimensions Submitted