

Please Fax to 973-785-0777

• MEASURE THE EXACT FINISHED OPENING. Century will provide deductions.

• Note if walls or sill dimensions vary

CUSTOMER _____ CONTACT NAME _____ DATE _____

PHONE # _____ FAX # _____ PO # _____

Circle enclosure you are ordering: Glasstec Brassline Centec Lucette Crest

Model # _____

Metal Finish _____

Glass _____

Height: Standard _____

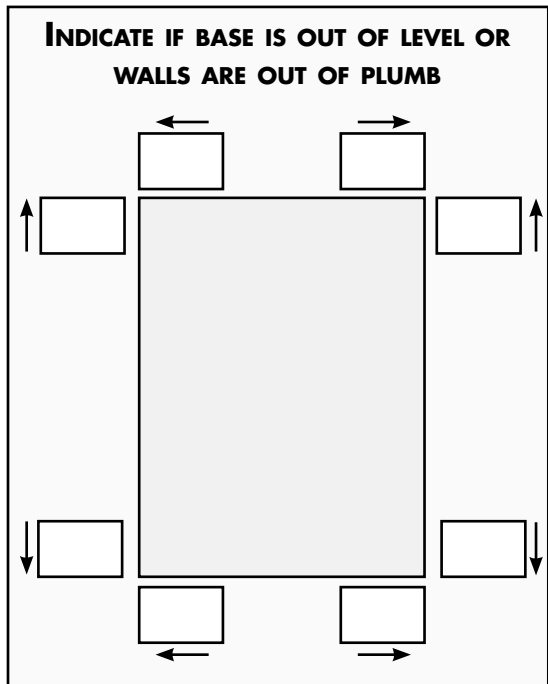
Custom _____ Full _____

Hardware Upgrade _____

Special Instructions _____

Hinge Location: Left Right
Steam unit MUST note hinge location

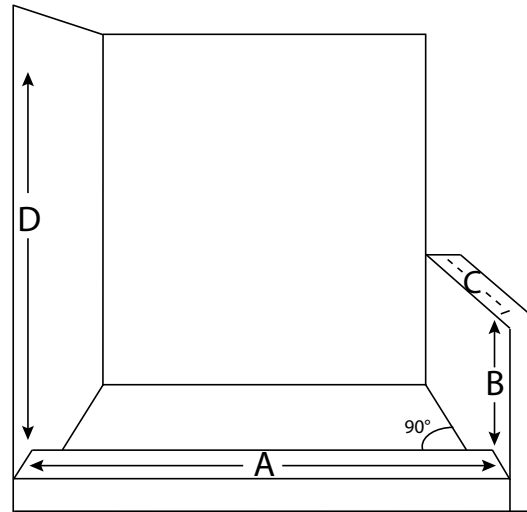
Unit as Shown return on right Reverse return on left



Internal Use Only:

Quoted List \$ _____ Quoted By: _____

Corner Enclosure



A

B
use only if buttress wall

C

D

E

F

Use Centerline Dimension for All Enclosures

Customer Signature - Required to Confirm Dimensions Submitted