

Lucette or Crest Shower Door

Installation Instructions

Model L-1627 or C-1627 SINGLE DOOR with 1 Sidelight

Model L-1628 or C-1628 SINGLE DOOR with 2 Sidelights

with alternate instructions for L-71, Steam and Handicap/Wheelchair accessible Models

IMPORTANT:
To insure complete customer satisfaction Century Bathworks recommends installation by a professional installer.

INSTALLATION STEPS:

See Enlarged View of each Step on other side

Step 1: Measure, cut and fit Threshold. Determine the location of the Sidelight and door for proper upright installation. (Model 1627 uses one Outer upright with the Sidelight installation. Model 1628 uses two Outer Uprights.)

Step 2: Place Wall Uprights on top of Threshold and level, drill and install Wall Uprights to wall. After drilling mounting holes for uprights apply Silicone Caulk at each end of Threshold at the wall before installing uprights.

Step 3: Install Sidelight(s) into Outer Upright(s). Shim under Sidelight(s) with 3/16" removeable shims.

Model 1628- Install both Sidelights. (Do not screw into place until after final tests, step 8. Remove shims after screwed in place.)

Step 4: Install Outer Upright with Magnetic Striker over the Sidelight frame. (NOTE: Model 1627 allows the door assembly to install over the Inner Wall Upright or over the Sidelight panel for optional swing direction.)

Step 5: Cut, fit and install Header. (Do not fix with screws until after step 8.)

Step 6: Determine the swing direction of the door (left or right). Install Handle on door frame of factory preassembled door. Door is pre-drilled for handle installation. (NOTE: Any installation requiring an inner swing door is a special order and cannot be assembled from this model)

Step 7: Install Door as assembled with hinge by sliding Outer Upright over the Sidelight or Inner Wall Upright (1627). (In 1628 door assembly installs over the Sidelight frames). Be sure the door swings out. (Do not screw into place until after final tests, step 8.)

Step 8: Test door. Adjust Outer Uprights if necessary. Drill and screw Uprights, Sidelight(s), Header and Threshold. Remove shims under Sidelight(s).

Step 9: Cut, file, smooth and fit Drip Pan onto lower Door Frame. (NOTE: see special instructions and diagrams to avoid drilling into glass within the door frame. Install Drip Pan with screws.)

Step 10: Install optional Limit chain.

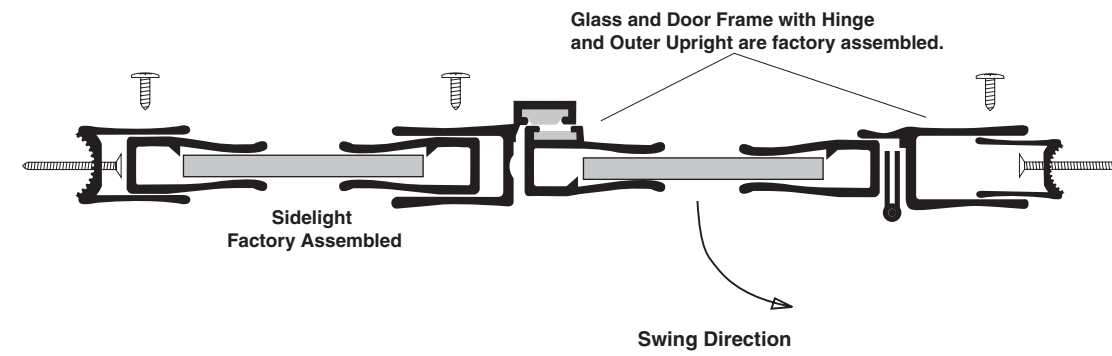
Step 11: FINAL CAULKING -- After installation is complete be sure to caulk all threshold and wall mounts from the inside of the unit where they contact walls.

STEP DO NOT CAULK Under Sidelights: Sidelights must be open under the panel and above Threshold for proper draining. Using shims during installation is done for this reason.

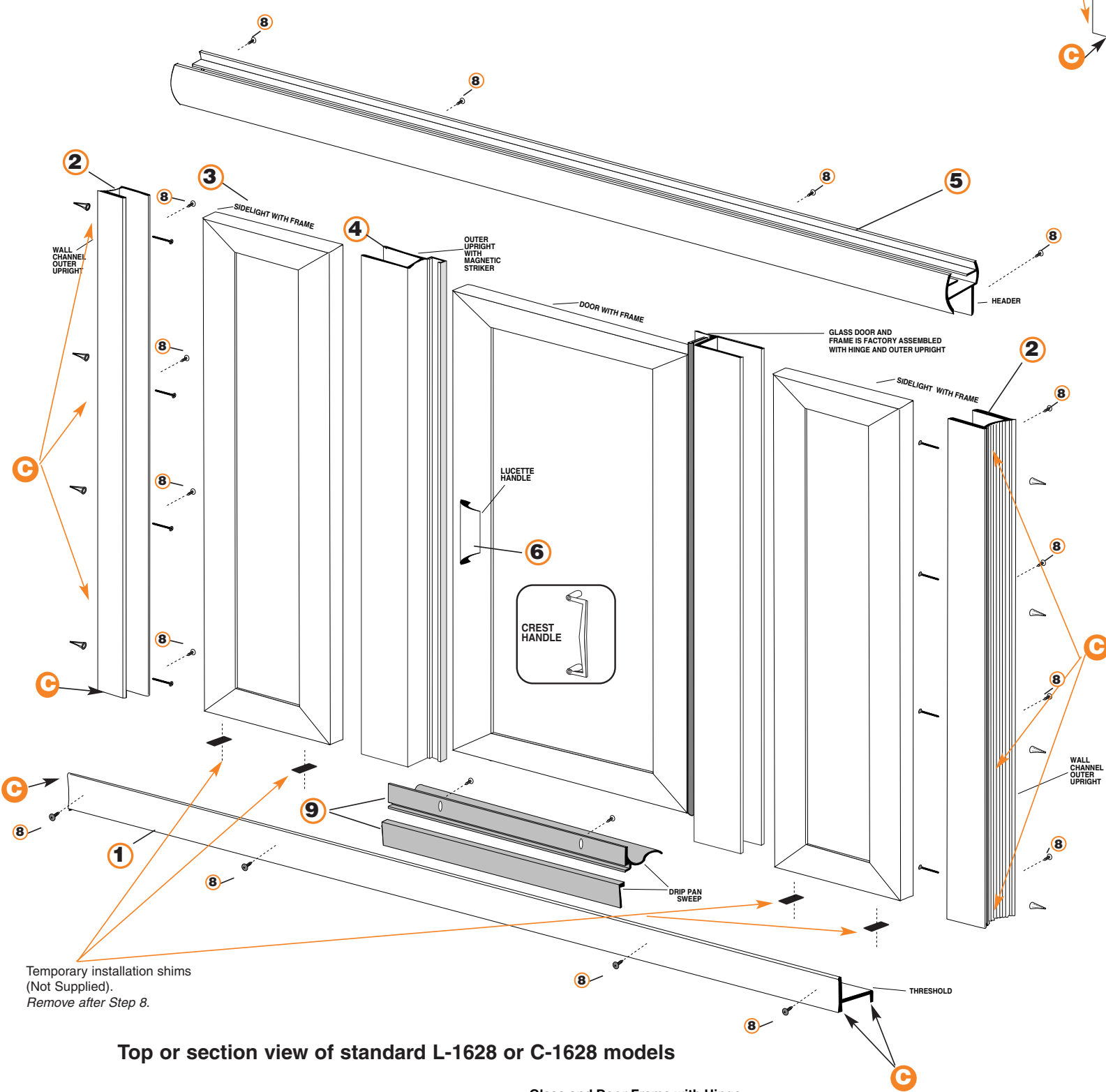
IMPORTANT: Caulk here during installation as noted

NOTE: Model 1627 allows the door assembly to install over the Inner Wall Upright or over the Sidelight panel for optional swing direction.

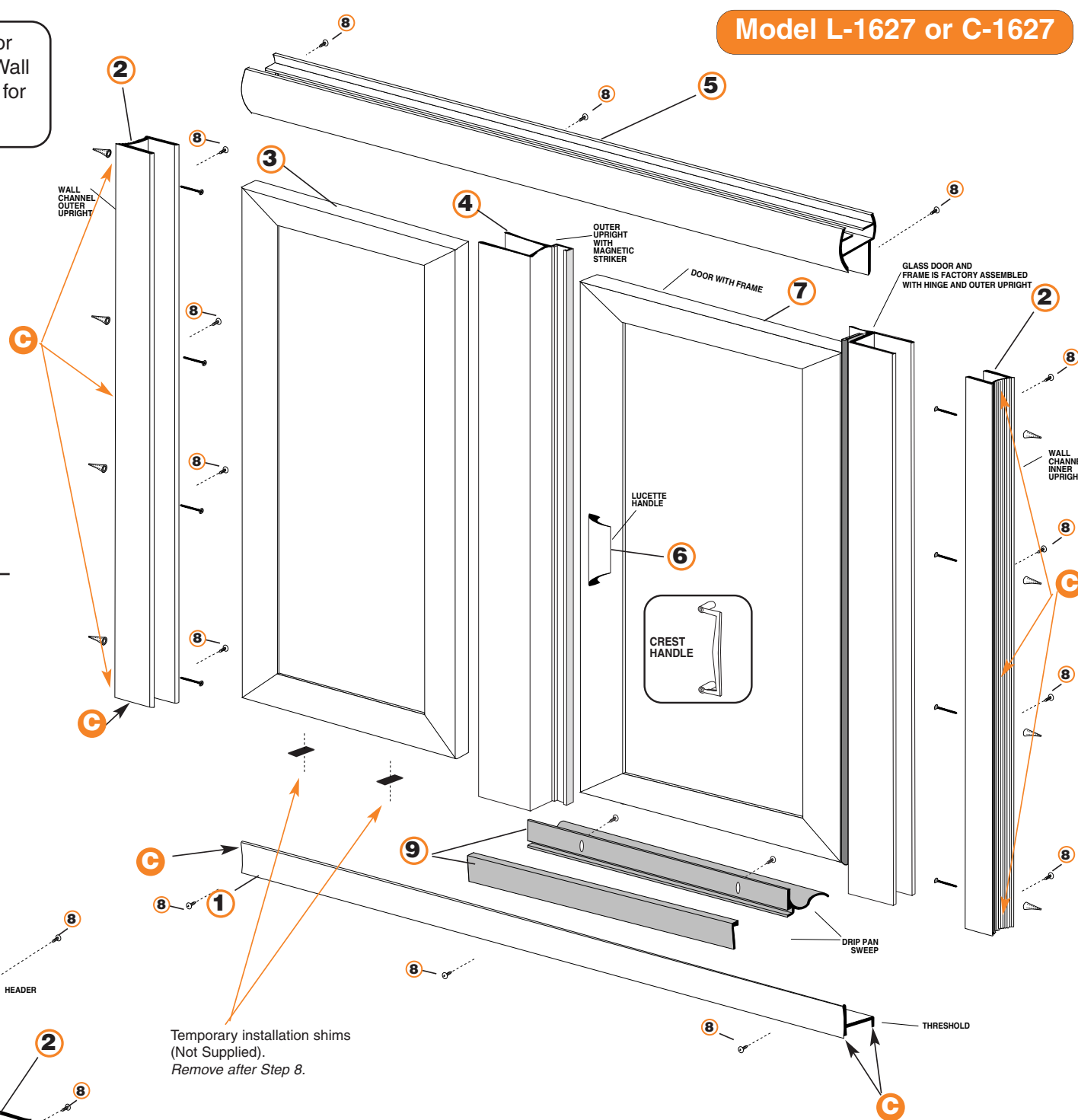
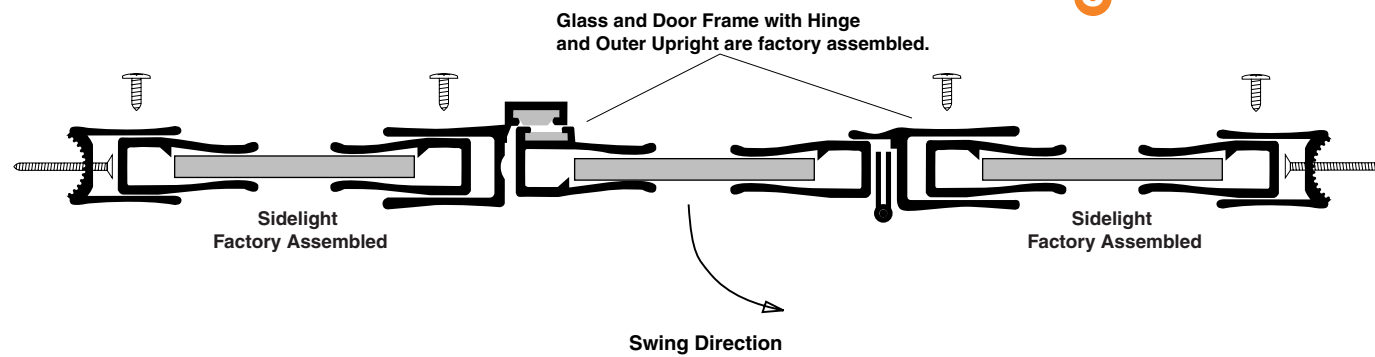
Top or section view of standard L-1627 or C-1627 models



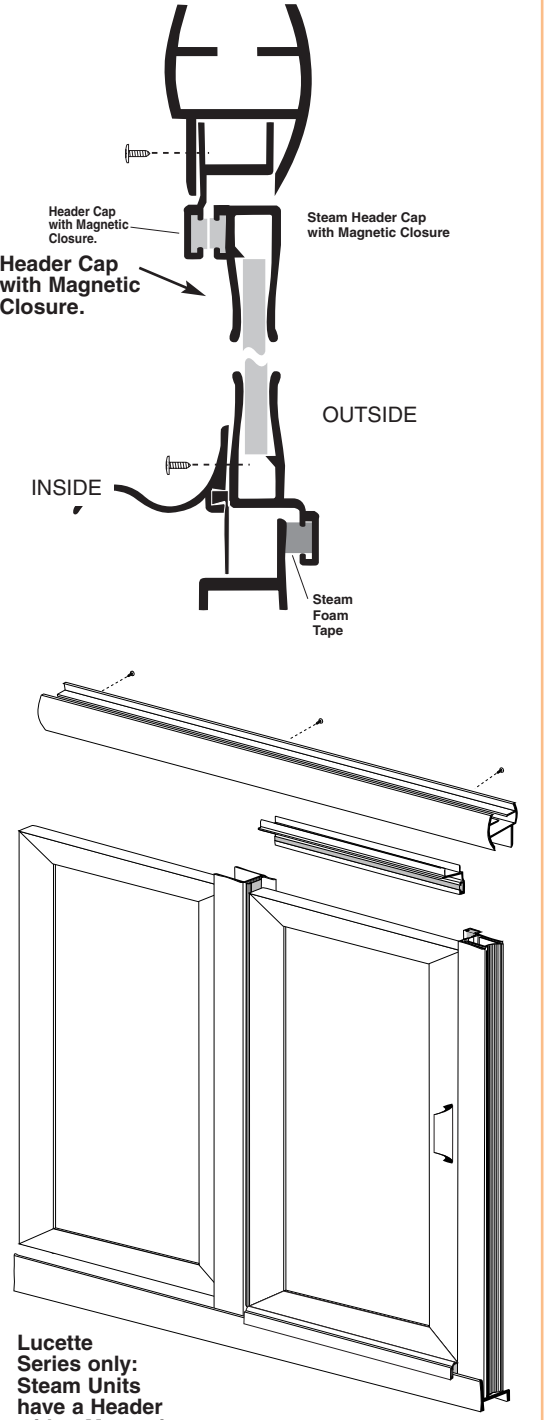
Model L-1628 or C-1628



Top or section view of standard L-1628 or C-1628 models

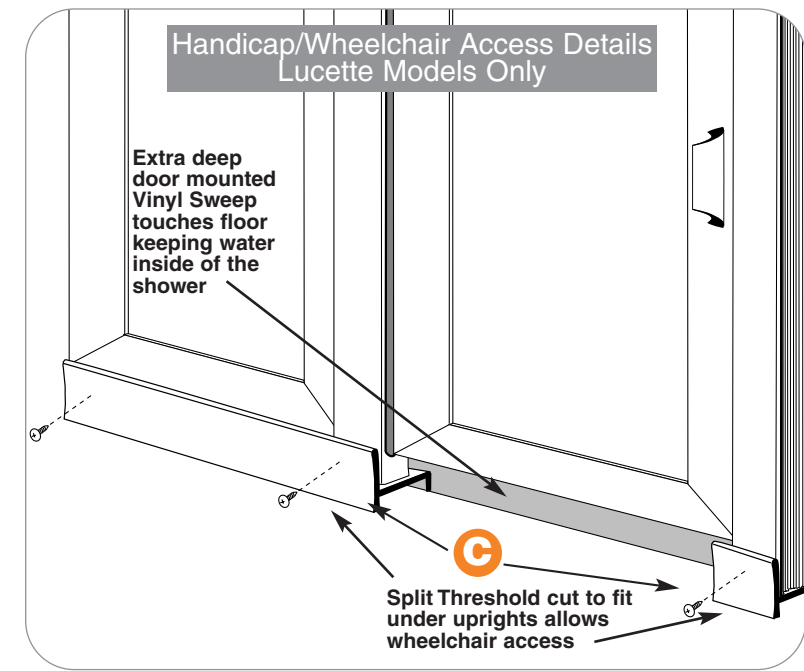
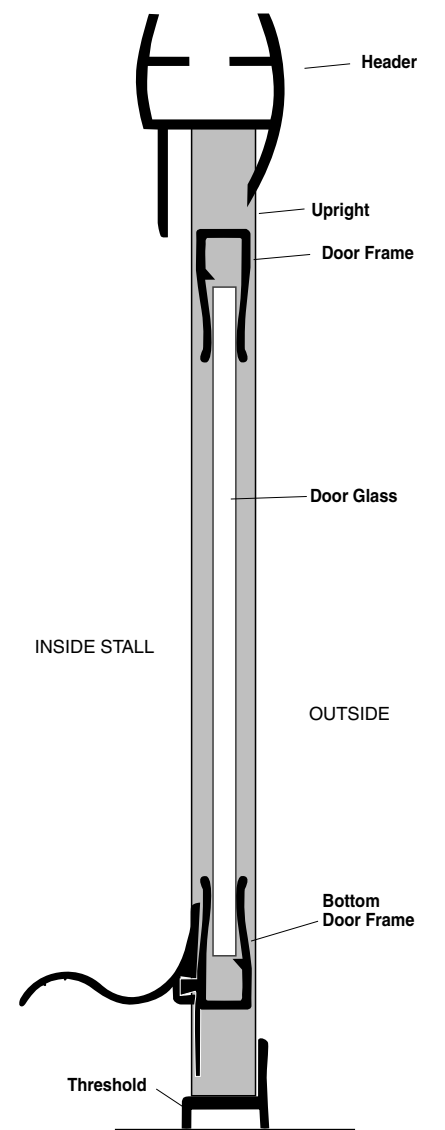


Section view Steam Unit Lucette Models Only



Lucette Series only: Steam Units have a Header with a Magnetic Closure. Measure and cut and screw into place as last step.

Section or side view



Tools Required: Ruler, Level, Phillips Head Screwdriver, Flat Head Screwdriver, Hack Saw, Electric Drill, 3/16" Carbide Tipped Masonry Drill Bit, No. 32 Metal Cutting Drill Bit, file.

Century Bathworks, Inc.™ Models L-1627, C-1627 / L-1628, C-1628

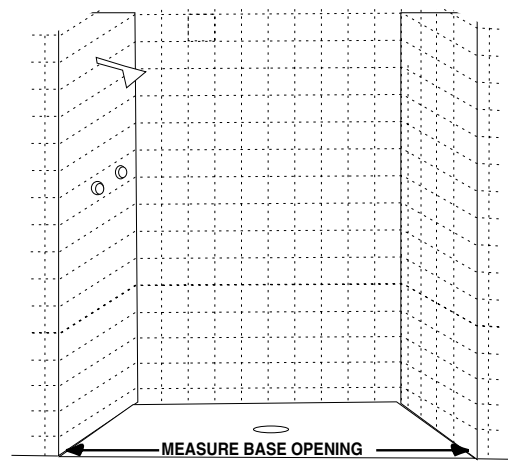
Please carefully unpack all parts for your unit and check that you have all the hardware as listed on back. If any parts are missing or damaged, please refer to the item letter and description as shown below when contacting Century or your dealer for replacements.

CAUTION: When drilling through tile, carefully break through glazed surface only with sharp tool or center punch, then drill slowly with 3/16" carbide tipped drill.

NOTICE: Please wear safety glasses whenever drilling or cutting tile or metal parts.

IMPORTANT NOTE: Wall Uprights must be installed level and plumb. Do not follow grout lines.

STEP 1 Check & Fit Threshold to opening. Caulk Ends.

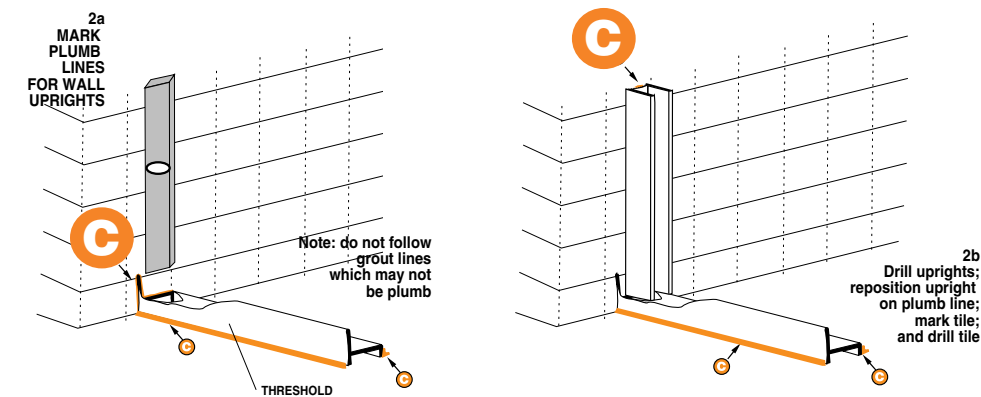


Step 1: Installation of Threshold
These installation instructions are based on the typical requirements for an enclosure with the usual tile and wall conditions. All parts are to the dimensions that you have submitted. The out of plumb variable for this unit is 1/4" maximum for out of plumb and out of level.

Measure shower door opening at base and cut Threshold (C) to fit snugly. Check fit.

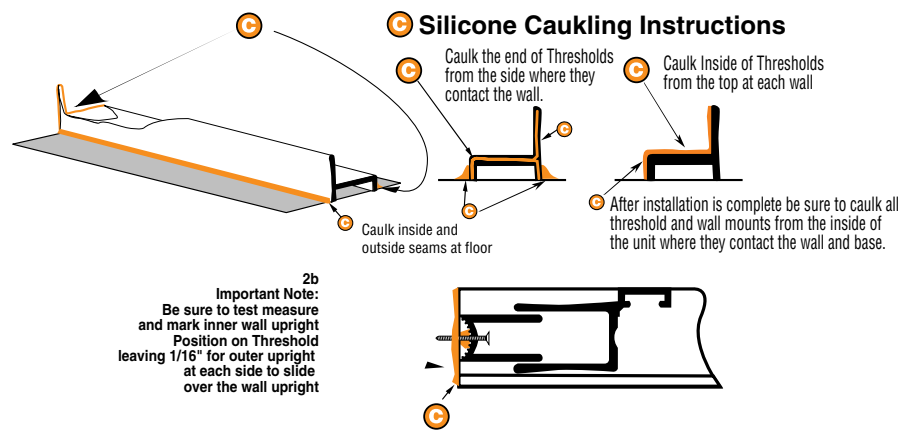
Caution: The low shelf side of threshold must face to the inside of shower; this permits water to drain back into the shower.

STEP 2 Measure, mark and drill uprights.



Caulk Uprights

CAULK Threshold at wall before installing uprights



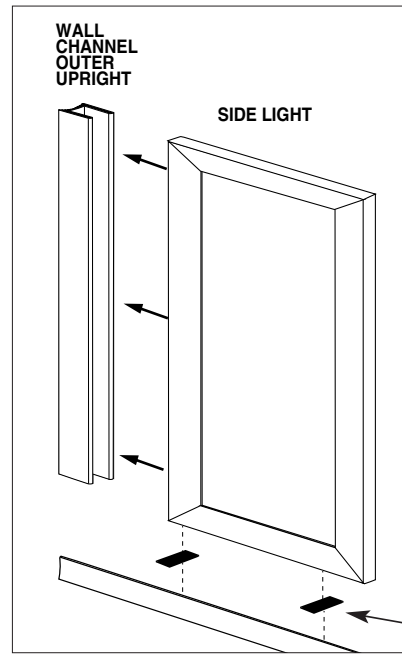
Step 2: Mount Wall Uprights: After the Threshold (C) is installed determine the door swing and the location of the sidelight(s) for proper Wall Upright installation. The Outer Wall Upright(s) (A/O) always goes with the Sidelight and Inner Wall Upright (A/I) supplied in 1627 only) is used with the door or striker assembly. Place the Uprights against wall resting on Threshold. You must align both Uprights vertically plumb and parallel. When the Upright is plumb (use a level) mark the holes on wall. When setting the position, Uprights must rest on the Threshold.

Remove Uprights and drill holes in the wall with 3/16" carbide-tipped masonry bit. Insert plastic wall anchors into holes. Lightly tap them flush to the tile; this will help eliminate cracking the tile when screws expand the anchors. Caulk the ends of the threshold / tile seam and the base of the Wall Uprights where they meet the Threshold before screw mounting these upright to the wall. Screw Inner Wall Uprights into position with your predrilled holes and mount to wall with 1 1/4" x 8 panhead screw (M).

- Tools required for this job:**
- Tape measure
 - 3/16" carbide tipped masonry drill bit
 - #32 drill bit
 - Drill
 - Level
 - Flat head screwdriver
 - Phillips head screwdriver
 - Hacksaw
 - File for removal of burrs
- Silicone caulk**
- Caulking gun
 - Mineral spirits or turpentine
- Also recommended:**
- Low tack or masking tape for holding parts in place for preassembly
 - Pencil

****important:**
Before starting, please read instructions carefully and thoroughly; then proceed step by step.

STEP 3 Insert Sidelight into Wall Outer Upright

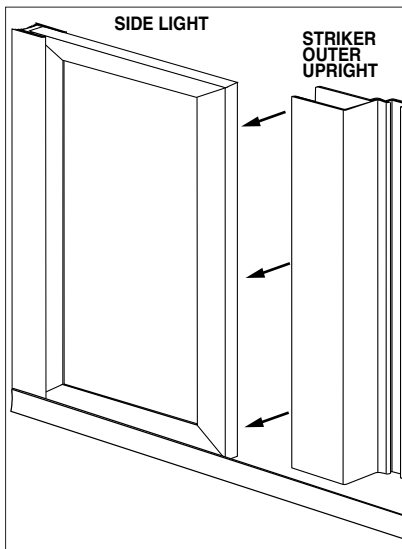


Step 3: Insert the Sidelight (SL) into Outer Wall Upright. Place temporary 3/16" Shims under Sidelight. Tape into place. (Do not screw into place until last step 8.)

In Model 1628 install both sidelights this step.

Temporary installation shims ± 3/16" (Not Supplied). Remove after Step 8.

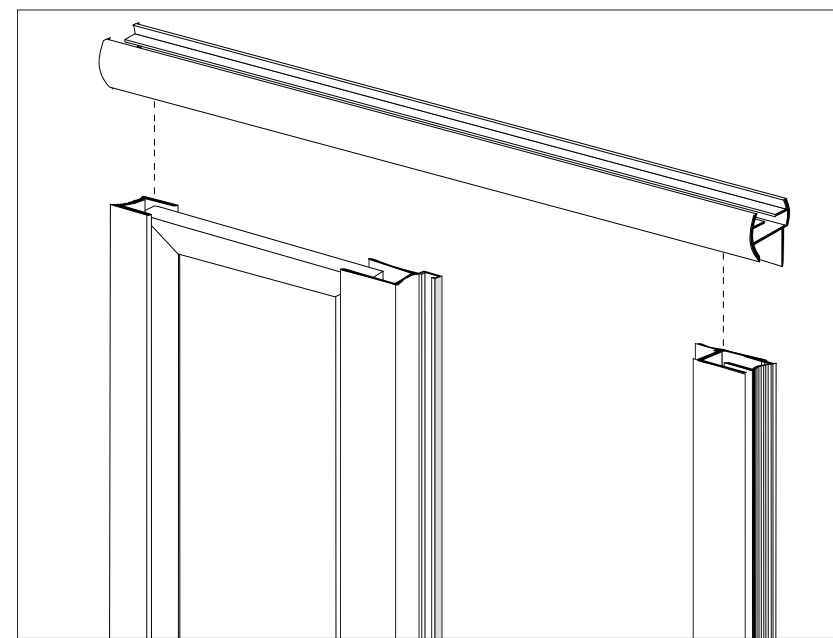
STEP 4 Insert Striker Outer Upright



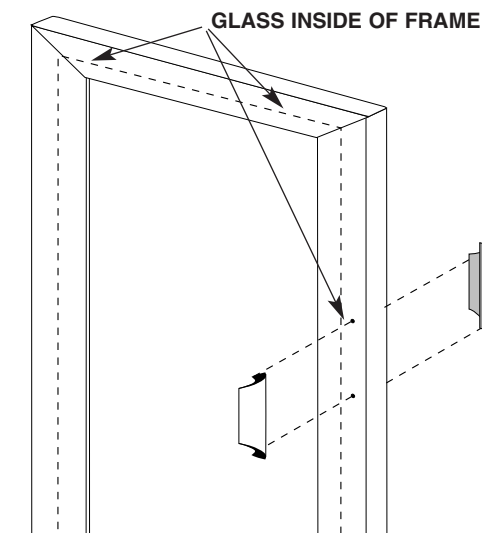
Step 4: Insert the Outer Striker Upright (B) over the proper Inner Wall Upright (Model 1627), or Sidelight(s), as determined by the door swing. Tape into place. (Do not screw into place until last step 8.)

STEP 5 Measure and Cut Header

Step 5: Cut Header to fit and put on top of unit. Wait to fix to the uprights until the door swing is fully adjusted.

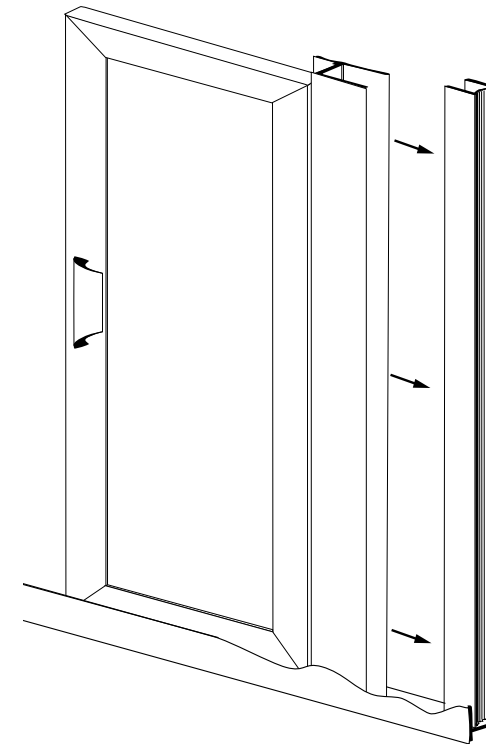


STEP 6 Assemble Handle



Step 6: To install handle: **Lucette Units:** a separate parts kit with instructions is supplied. **Crest Units:** Mount open hole handle on inside of door. Slide screw through handle and door into outside closed hole handle and screw together. Repeat for second screw.

STEP 7 Install Hinge Upright with Door



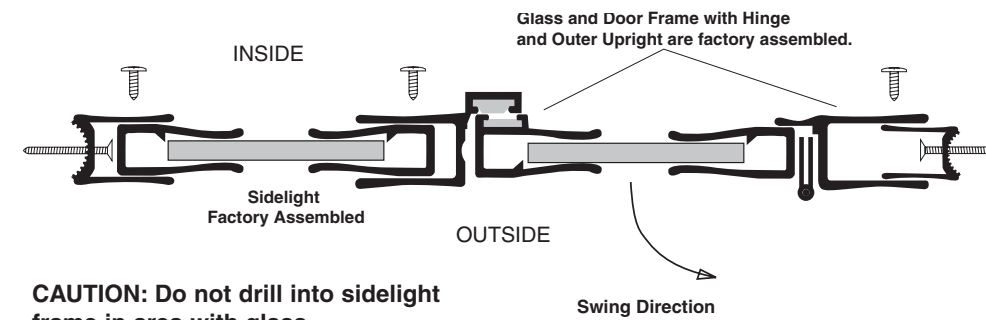
Step 7: Install Door/Hinge Outer Upright Assembly by sliding the Outer Upright over the Inner Wall Upright (1627) or Sidelight(s) (Models 1627 or 1628). Be sure door swings out. Clamp or Tape into place. (Do not screw into place until Step 8.)

For L-71 or C-71 Models: Doors with the grill above the glass can only be installed with the swing direction as ordered.

STEP 8 Test Door Swing and Adjust, Fix Assembly

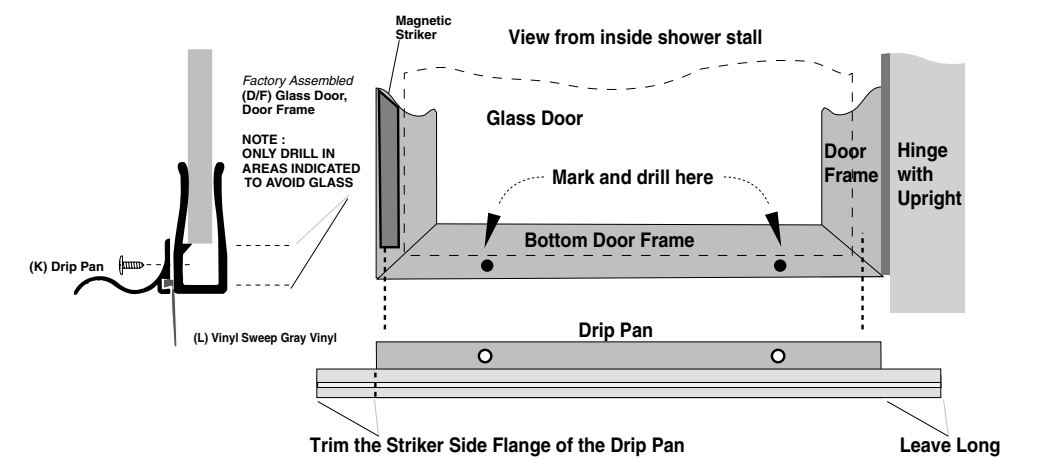
Step 8: With the Header in place test door swing and adjust from the Outer Striker Upright (B) and/or the Door/Hinge Outer Upright Assembly (D/F) to obtain the proper clearance. Once the door is fully adjusted and working fix the the sidelight(s) to the wall uprights by drilling mounting holes into the Uprights and hollow part of the sidelight with #32 drill bit from the inside of the unit. Fix assembly using 3/8 x 6 pan head screws (N) Then fix the door assembly and striker Uprights by drilling and fixing in the same way. After the vertical members are all fixed attach Header (flat side from the inside) and Threshold (from the outside) to the uprights with 3/8 x 6 Panhead Screws (N). Remove temporary shims under sidelights.

Shown here -Model 1627 with one sidelight (Model 1628 has two sidelights.)



CAUTION: Do not drill into sidelight frame in area with glass.

STEP 9 Measure, Cut and Install the Drip Pan & Sweep



Step 9: Drip Pan is supplied for either door swing. Trim the extra length of Drip Pan (K) that would be on the striker side of the door when installed (as viewed from the inside of the stall). Leave Drip Pan long on the hinge side of door. File the cut smooth and round the cut edge. Adjust position as needed to provide a slight horizontal tilt to the drip pan (with the low side toward the hinge side of the door) so that the water runs back into the shower. Use pre-drilled holes in Drip Pan for installation. Align bottom edge of the drip pan with bottom edge of the door, mark and drill holes in door frame to mount drip pan. (Be sure to avoid drilling into the glass in the door.) Slide Drip Pan Vinyl Sweep (L) into drip pan as shown. Use two screws (N) to affix drip pan to door. Secure sweep with a small amount of silicone caulk.

STEP 10 OPTIONAL - Limit Chain:

Step 10: Mount Limit Chain to door and header to limit door swing.

STEP 11 FINAL CAULKING:

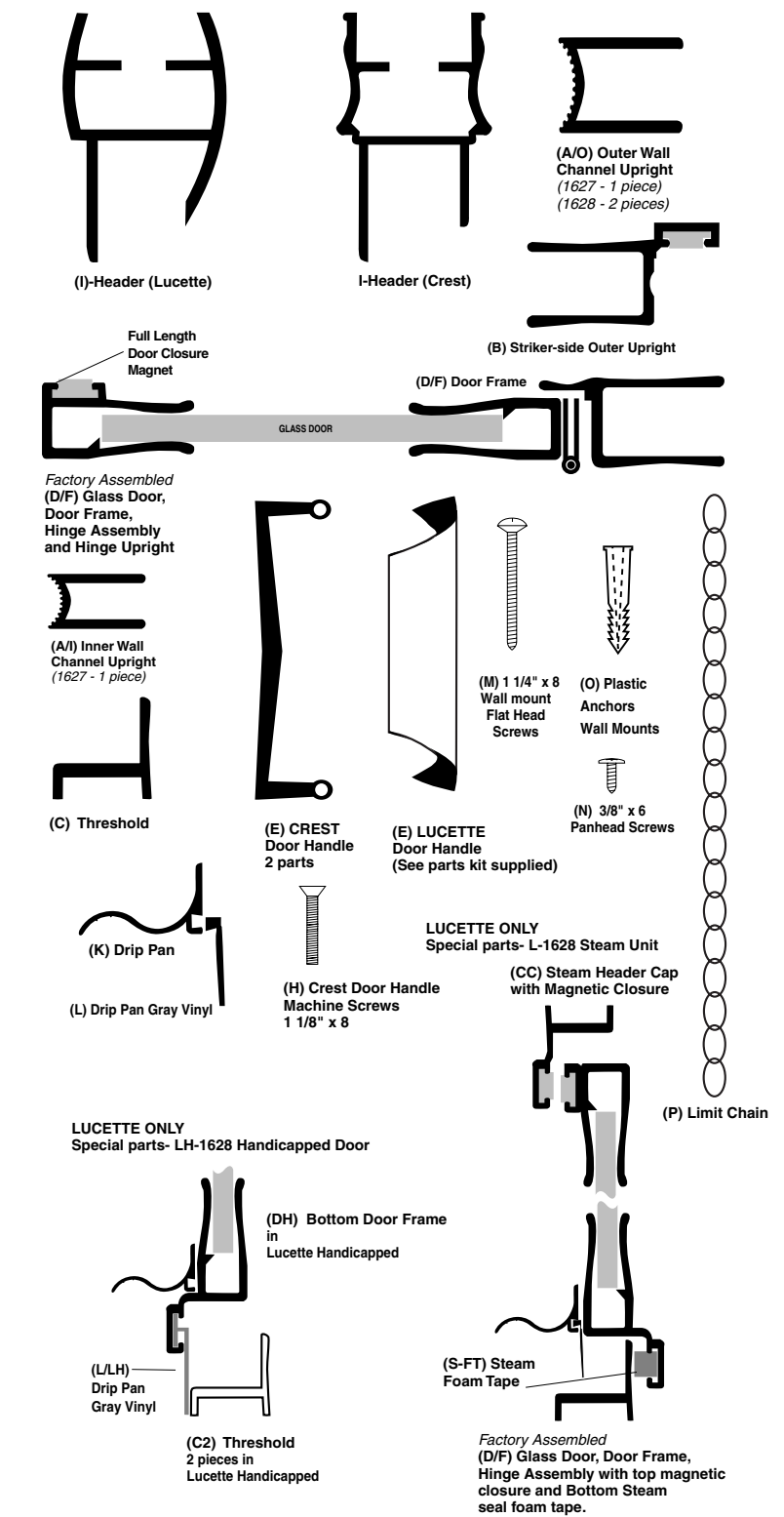
On Completion of Assembly and Installation Additional Caulking: Silicone entire inside of the unit where it meets the wall and the base to prevent water leakage.

DO NOT CAULK Under Sidelights: Sidelights must be open under the panel and above Threshold for proper draining. Using shims during installation is done for this reason.

Century Bathworks, Inc.,
— Lucette Models L-1627, L-1628, and optional Steam & Handicapped Doors
— Crest Models C-1627, C-1628

Installation Parts Inventory for Lucette & Crest Shower Door

Please carefully unpack all parts for your unit and check that you have all the hardware as listed below. If any parts are missing or damaged, please refer to the item letter and description as shown below when contacting Century or your dealer for replacements.



Letter	Part Name	Quantity
(A/I)	Inner Wall Upright (Model 1627 only)	1
(A/O)	Outer Wall Upright (Model 1627 1 only) (Model 1628 2 units)	1
(B)	Striker Side Outer Upright	1
(C)	Threshold	1
(D/F)	FactoryAssembled Door with Frame, Hinge & Outer Upright 1 Factory Assembly Includes: (D) Door Frame Hinge Side (1) (F) Hinge Side Outer Upright (1), (G) Hinge (1)	1
(SL)	Sidelight (Model 1627 1 only) (Model 1628 2 units)	1
(E)	Door Handle	1
(I)	Header	1
(K)	Drip Pan	1
(L)	Drip pan Vinyl Sweep	1
(M)	1 1/4 x 8 Panhead Screws	28
(N)	3/8 x 6 Panhead Screws	26
(H)	1 1/8 x 8 Flathead Machine Screws	2
(O)	Plastic Wall mount Anchors	8
(P)	Limit Chain	1
(DS/F)	FactoryAssembled Steam Door, Hinge and Outer Upright along with a Threshold Seal and Threshold Foam Tape (S-FT) for Steam Seal (Factory Installed)	1
(CC)	Magnetic Foam Insert Threshold Foam Tape for Steam Seal (Factory Installed)	1
(DH)	FactoryAssembled Door with special bottom Frame outfitted for Handicapped Sweep, Hinge & Hinge Outer Upright	1
(CH2)	Threshold split for use under uprights only	2
(L/LH)	Vinyl Sweep (has "T" head, extra long touches floor)	1

L-71 or C-71 Doors- All parts the same as above except Door with Grill

CREST MODELS:
All parts the same as above except header (I-Crest) 1