

Lucette or Crest Shower Door

Installation Instructions

Model L-1669 or C-1669 SINGLE DOOR Model L-1669B or C-1669B (Buttress Model)

with alternate instructions for L-71, Steam and Handicap/Wheelchair accessible Models

C
IMPORTANT:
Caulk here during
installation as noted

IMPORTANT:
To insure complete customer satisfaction
Century Bathworks, Inc. recommends
installation by a professional installer.

INSTALLATION STEPS:

See Enlarged View of each Step on other side

Step 1: The 1669 & 1669B Thresholds are cut to size in the factory according to your dimensions. Install on base. The 1669B Threshold may need to be cut to fit snugly. **After drilling mounting holes for uprights apply Silicone Caulk at each end of Thresholds at the wall before installing uprights.**

Step 2: Place Wall Uprights on top of Threshold and level, drill and install Wall Uprights to wall.

Step 3: Install Sidelights into wall mounted Outer Upright. Shim under Sidelights with 3/16" removable shims.

(Do not screw into place until after final tests, step 8.)

Step 4: 1669 - Install the Neo Corner Uprights with the outer portion of the Neo Uprights going over the Sidelights. Install the Striker Side Outer Upright over the inner portion of the Neo Corner. **(NOTE: This Model allows the door assembly to install over either Neo Corner unit. Determine the desired swing direction before installing the striker upright.)**

1669B (Buttress Models) - Slide the two part neo corner units together and tape into place. The buttress height outer portion goes over the sidelight with the taller inner portion resting on the floor threshold. Install the Outer Striker Upright over one of these inner uprights.

(Determine the desired swing direction before installing the striker upright.)

Step 5: Cut, fit and install Header.

(Do not fix with screws until after step 8.)

Step 6: Determine the swing direction of the door (left or right). Install Handle on door frame of factory preassembled door. Door is pre-drilled for handle installation. Be sure the door swings out. **(NOTE: Any installation requiring an inswing door is a special order and cannot be assembled from this model.)**

Step 7: As per the determined swing direction, install Door as factory assembled with hinge Upright by sliding this Outer Upright over the inner part of the Neo Corner Upright Assembly as installed on the Sidelight. Be sure that the door swings out.

(Do not screw into place until after final tests, step 8.)

Step 8: Test door. Adjust Outer uprights if necessary. Drill and screw Wall Uprights to Sidelights, then Neo Corner Uprights to Sidelights and the Striker and Door Hinge Uprights to the Neo Corners. Finally drill and screw the Header to the uprights from the inside of the unit and then drill and screw the uprights to the Threshold from the outside of the unit.

(Remove the shims under the Sidelights.)

Step 9: Cut, file smooth and fit Drip Pan onto lower Door Frame.

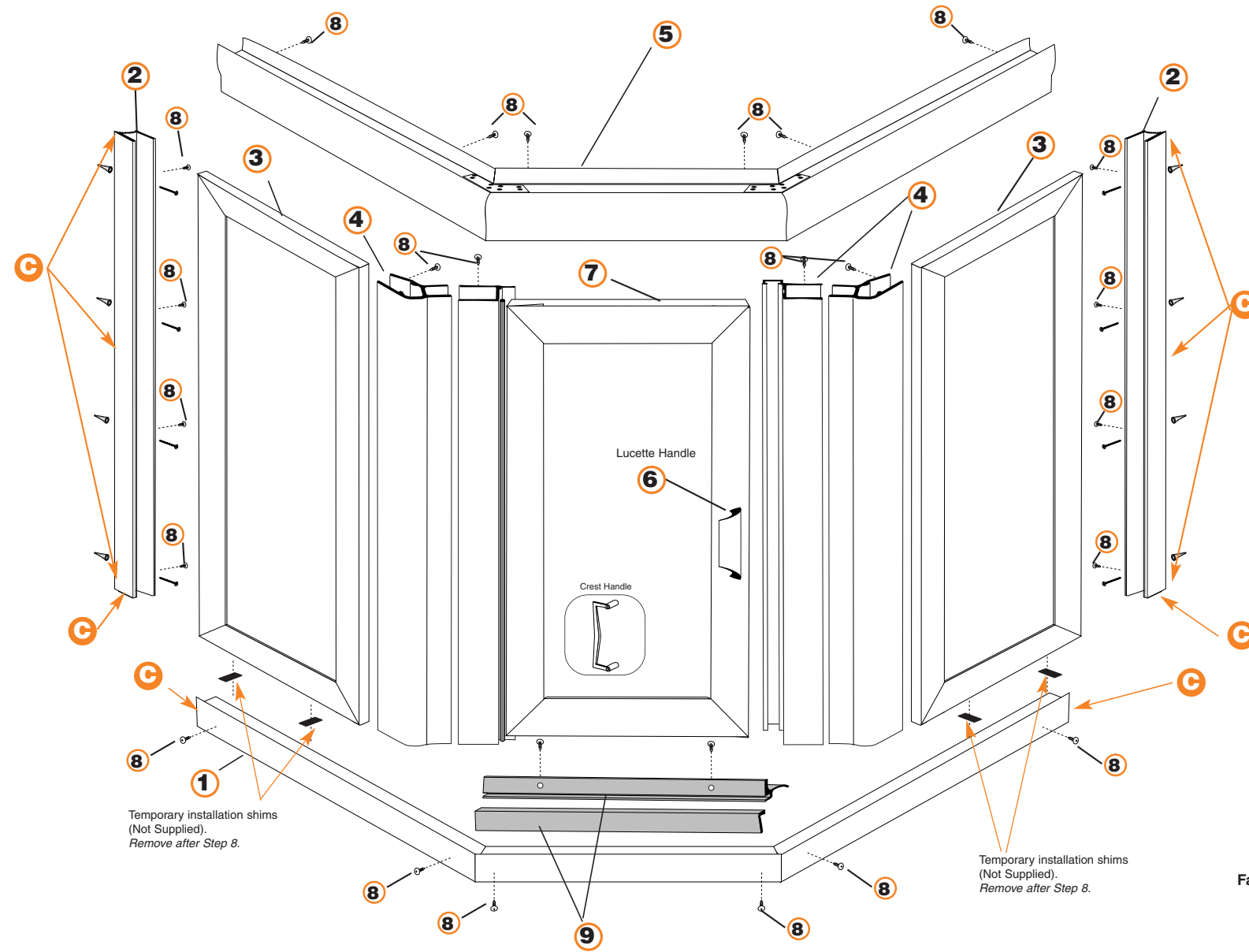
(NOTE: see special instructions and diagrams to avoid drilling into glass within the door frame. Install Drip Pan with screws.)

Step 10: Install optional Limit Chain.

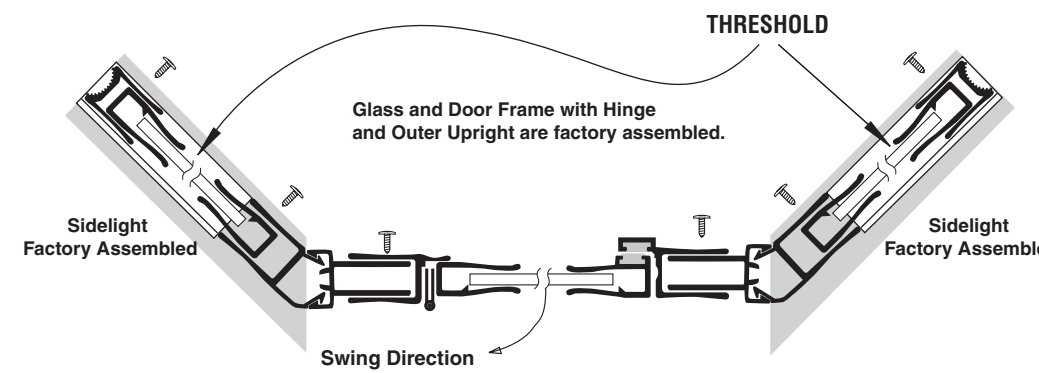
Step 11: FINAL CAULKING --

After installation is complete be sure to caulk all threshold and wall mounts from the inside of the unit where they contact walls and base.

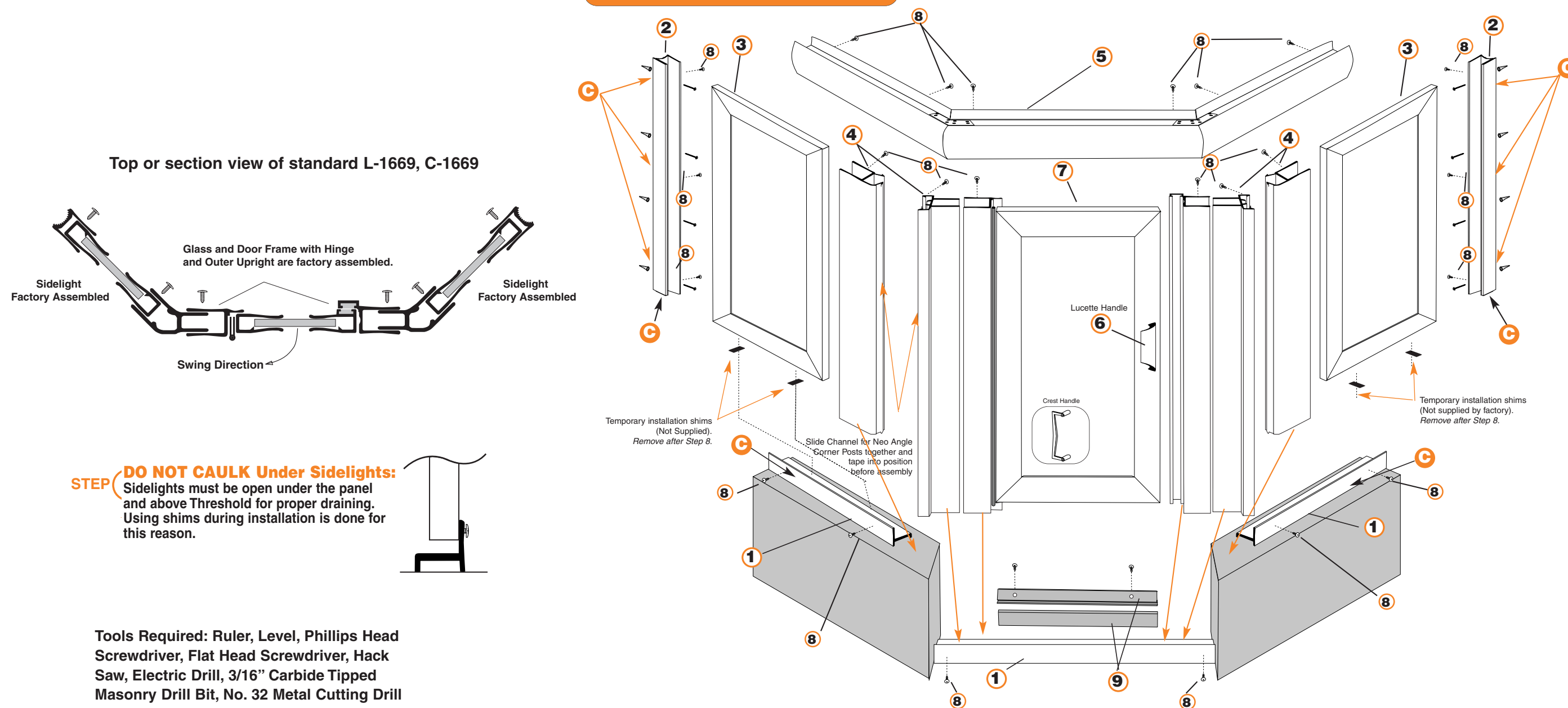
Model L-1669 or C-1669



Top or section view of standard L-1669B, C-1669B



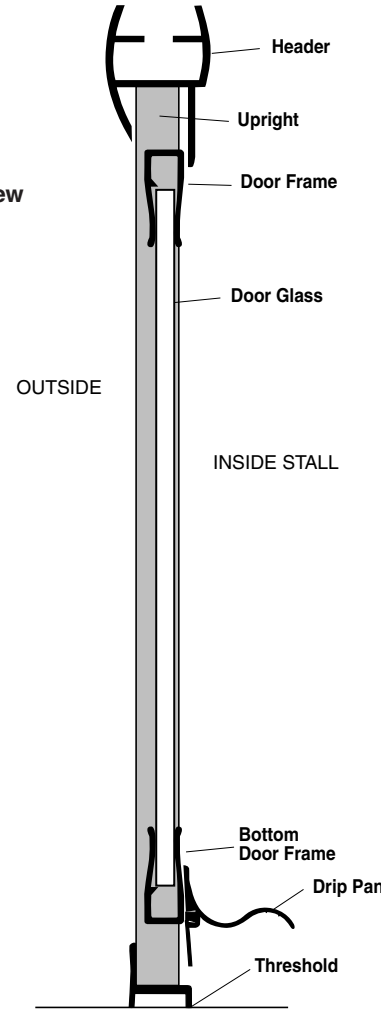
Model L-1669B or C-1669B



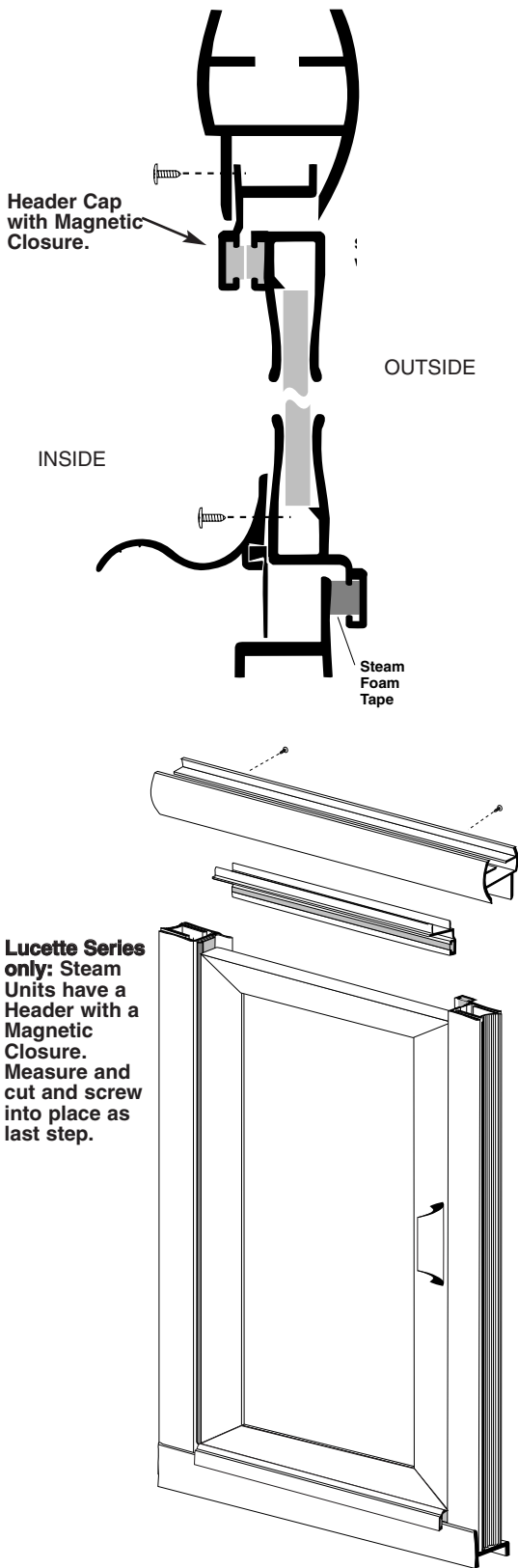
STEP DO NOT CAULK Under Sidelights:
Sidelights must be open under the panel and above Threshold for proper draining. Using shims during installation is done for this reason.

Tools Required: Ruler, Level, Phillips Head Screwdriver, Flat Head Screwdriver, Hack Saw, Electric Drill, 3/16" Carbide Tipped Masonry Drill Bit, No. 32 Metal Cutting Drill Bit, file.

Section or side view

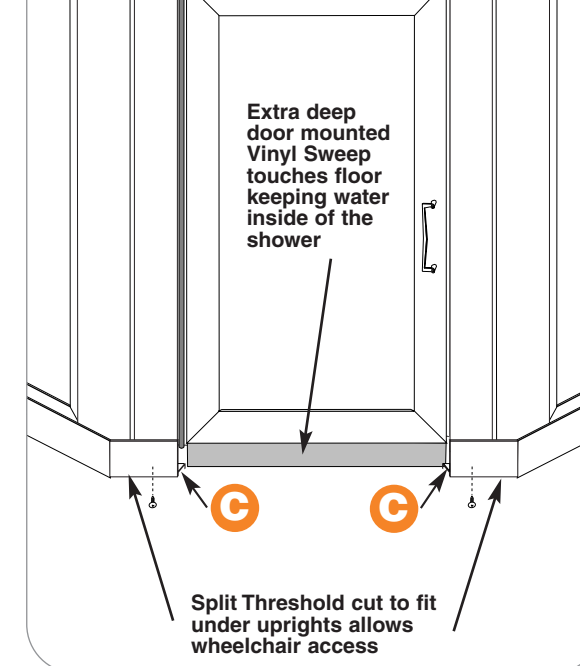


Section view Steam Unit Lucette Series only



Lucette Series only: Steam Units have a Header with a Magnetic Closure. Measure and cut and screw into place as last step.

Handicap/Wheelchair Access Details Lucette Series only



Century Bathworks, Inc.™, Models L-1669 & C-1669 Buttress Models L-1669B & C-1669B

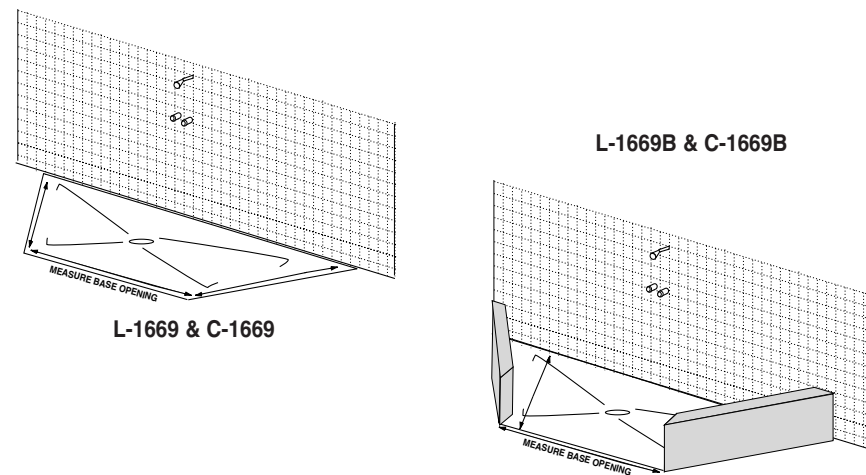
Please carefully unpack all parts for your unit and check that you have all the hardware as listed on back. If any parts are missing or damaged, please refer to the item letter and description as shown below when contacting Century or your dealer for replacements.

CAUTION: When drilling through tile, carefully break through glazed surface only with sharp tool or center punch, then drill slowly with 3/16" carbide tipped drill.

NOTICE: Please wear safety glasses whenever drilling or cutting tile or metal parts.

IMPORTANT NOTE: Wall Uprights must be installed level and plumb. Do not follow grout lines.

STEP 1 Check & Fit Threshold to opening. Caulk Ends.



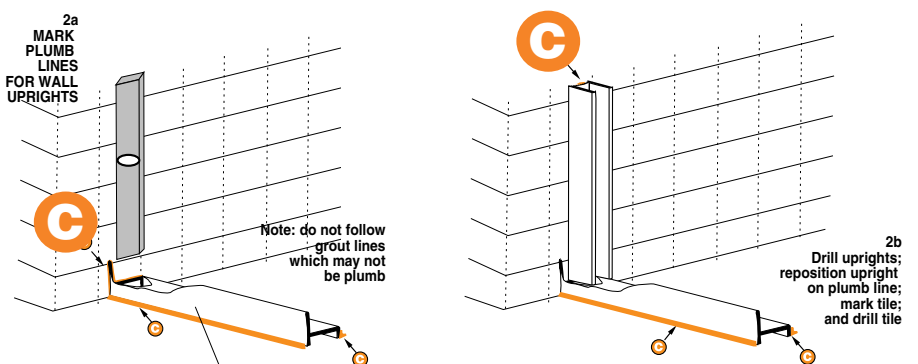
Step 1: Installation of Threshold

These installation instructions are based on the typical requirements for an enclosure with the usual tile and wall conditions. All parts are to the dimensions that you have submitted. The out of plumb variable for this unit is 1/4" maximum for out of plumb and out of level.

Measure shower door opening at base. Threshold (C) is cut to size in the factory according to your dimensions and should fit snugly. Check fit. After drilling mounting holes for uprights Silicone Caulk bottom and ends of Threshold and place on base.

Caution: The low shelf side of threshold must face to the inside of shower; this permits water to drain back into the shower.

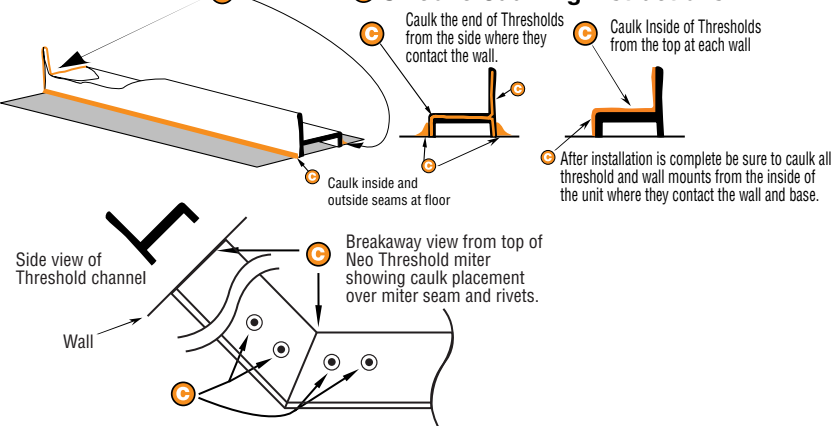
STEP 2 Measure, mark and drill uprights.



Caulk Uprights

CAULK Threshold at wall before installing uprights

Silicone Caulking Instructions



Step 2: Mount Wall Uprights

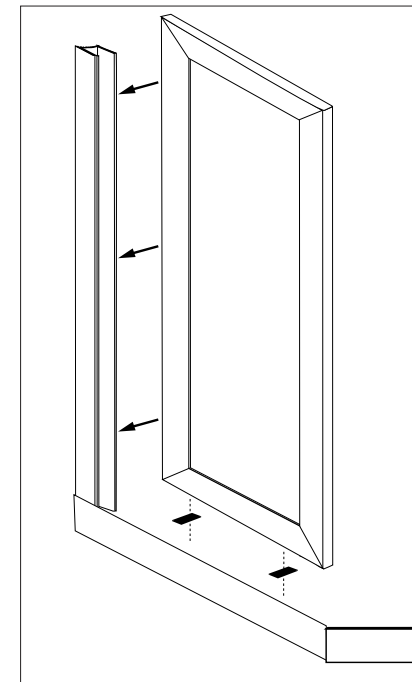
After the Threshold (C) is installed, place the Outer Wall Channel Uprights (A/O) (left and right) against wall resting on Threshold. You must align both Uprights vertically plumb and parallel. When the upright is plumb (use a level) mark the holes on wall. When setting the position, rest uprights on the Threshold.

Remove Uprights and drill holes in the wall with 3/16" carbide-tipped masonry bit. Insert plastic wall anchors into holes. Lightly tap them flush to the tile; this will help eliminate cracking the tile when screws expand the anchors. Caulk threshold / tile seam and the base of the Outer Wall Uprights where they meet the threshold before screw mounting these uprights to the wall. Screw Outer Wall Uprights into position with your predrilled holes and mount to wall with 1 1/4" x 8 panhead screw (M).

- Tools required for this job:**
- Tape measure
 - 3/16" carbide tipped masonry drill bit
 - #32 drill bit
 - Drill
 - Level
 - Flat head screwdriver
 - Phillips head screwdriver
 - Hacksaw
 - File for removal of burrs
- Also recommended:**
- Silicone caulk
 - Caulking gun
 - Mineral spirits or turpentine
 - Low tack or masking tape for holding parts in place for preassembly
 - Pencil

****important:**
Before starting, please read instructions carefully and thoroughly; then proceed step by step.

STEP 3 Install Sidelight into Wall Outer Upright

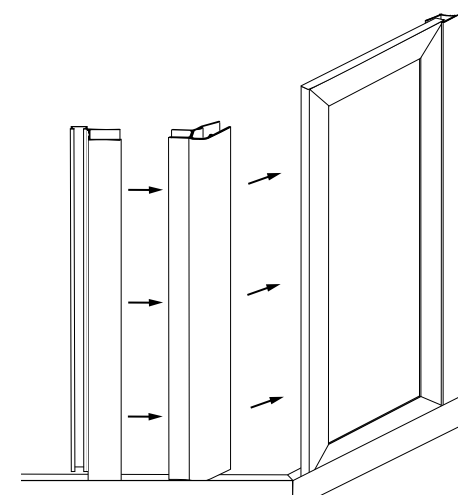


Step 3: Insert the Sidelights (SL) into the Outer Wall uprights. Place temporary 3/16" shims under Sidelights. Tape into place. (Do not screw into place until last step 8.)

Install both sidelights in this step.

Temporary 3/16" shims under Sidelights. (Do not remove until last part of step 8.)

STEP 4 Insert Neo Corner and Striker Outer Uprights



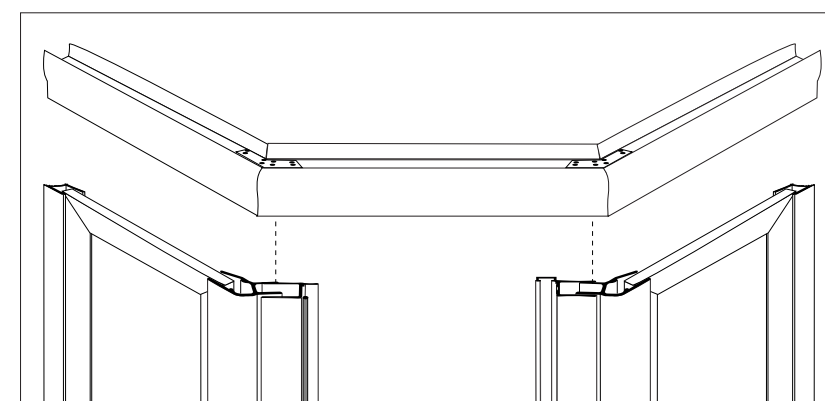
Step 4: Insert the Neo Corner Uprights (G) over the Sidelights as determined by the door swing. Slide the Striker Outer Upright over the inner portion of the Neo Corner Upright. Tape into place. (Do not screw into place until last step 8.)

(Outer Uprights and Door Assembly with Uprights are universal, except in Steam or Handicapped models or L-71 doors.) Determine the swing direction at this time.

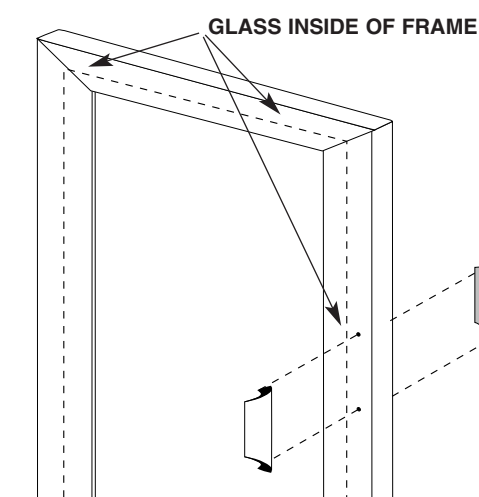
Step 4 Buttress Models: Assemble the two part Neo Corner Uprights by sliding the channels together. Tape into position aligning the top. The short leg should rest on the Buttress Threshold. Slide the Striker Outer Upright over the inner portion. Determine the door swing direction at this time. (Do not screw into place until last step 8.)

STEP 5 Measure and Cut Header

Step 5: Cut Header to fit and put on top of unit. Wait to fix the uprights until the door swing is fully adjusted.

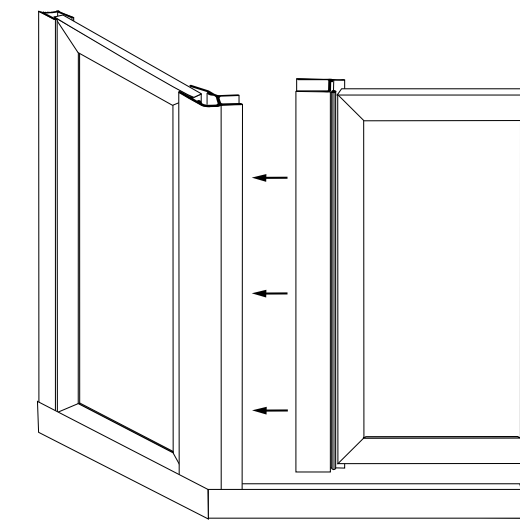


STEP 6 Assemble Handle



Step 6: Install handle Lucette Units: a separate parts kit with instructions is supplied. **Crest Units:** Mount open hole handle on inside of door. Slide screw through handle and door into outside closed hole handle and screw together. Repeat for second screw.

STEP 7 Install Hinge Upright with Door

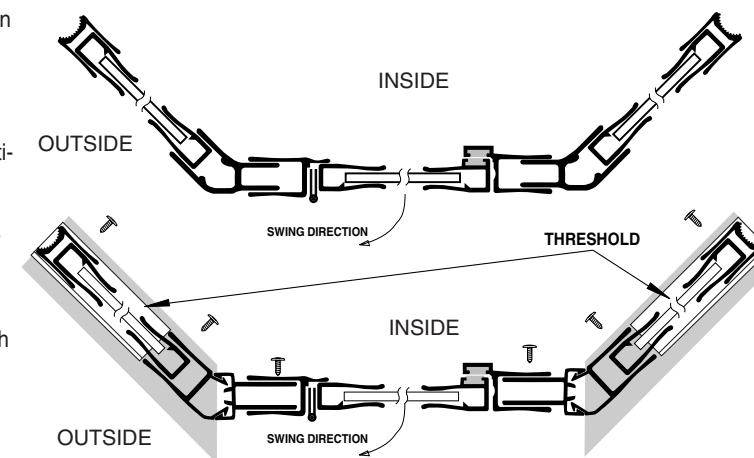


Step 7: Install Door/Hinge Outer Upright Assembly by sliding the Outer Upright over the inner part of the Neo Corner Upright. Use Header to hold all parts in place for adjusting the door. Be sure door swings out. Clamp or Tape into place. (Do not screw into place until Step 8.)

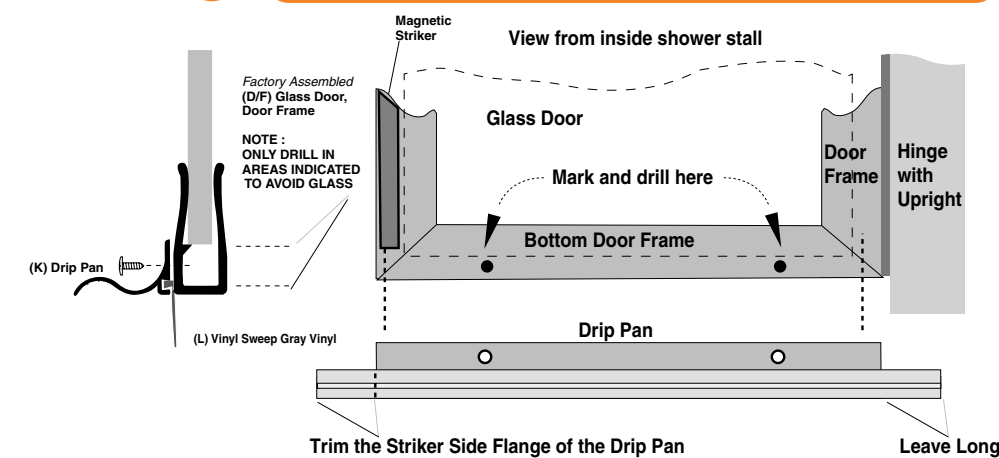
For L-71 Models: Doors with the grill above the glass can only be installed with the swing direction as ordered.

STEP 8 Test Door Swing, Adjust and Fix Assembly

Step 8: With the Header in place test door swing and adjust from the Outer Striker Upright (B) and/or the Door/Hinge Outer Upright Assembly (D/F) to obtain the proper clearance. Once the door is fully adjusted and working fix the Sidelights to the Wall Uprights by drilling mounting holes into the Uprights and the hollow part of the Sidelights with #32 drill bit from the inside of the unit. Fix assembly using 3/8 x 6 pan head screws (N). Next drill and fix the Neo Corner Uprights to the Sidelights & re-check door swing. Then drill and fix the Door Assembly Upright and the Striker Upright to the Neo Corner Uprights. After the vertical members are fixed drill and attach the Header to the uprights (flat side from the inside of the unit) and Threshold (from the outside of the unit) with 3/8 x 6 Panhead Screws (N). Remove the temporary shims from under the Sidelights.



STEP 9 Measure, Cut and Install the Drip Pan & Sweep



Step 9: Drip Pan is supplied for either door swing. Trim the extra length of Drip Pan (K) that would be on the striker side of the door when installed (as viewed from the inside of the stall). Leave Drip Pan long on the hinge side of door. File the cut smooth and round the cut edge. Adjust position as needed to provide a slight horizontal tilt to the drip pan (with the low side toward the hinge side of the door) so that the water runs back into the shower. Use pre-drilled holes in Drip Pan for installation. Align bottom edge of the drip pan with bottom edge of the door and drill holes to mount drip pan. (Be sure to avoid drilling into the glass in the door.) Slide Drip Pan Vinyl Sweep (L) into drip pan as shown. Use two screws (N) to affix drip pan to door. Affix sweep with a small amount of silicone caulk.

STEP 10 OPTIONAL - Limit Chain:

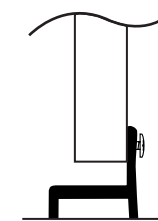
Step 10: Mount Limit Chain to door and header to limit door swing.

STEP 11 FINAL CAULKING:

On Completion of Assembly and Installation Additional Caulking:

Silicone entire inside of the unit where it meets the wall and the base to prevent water leakage.

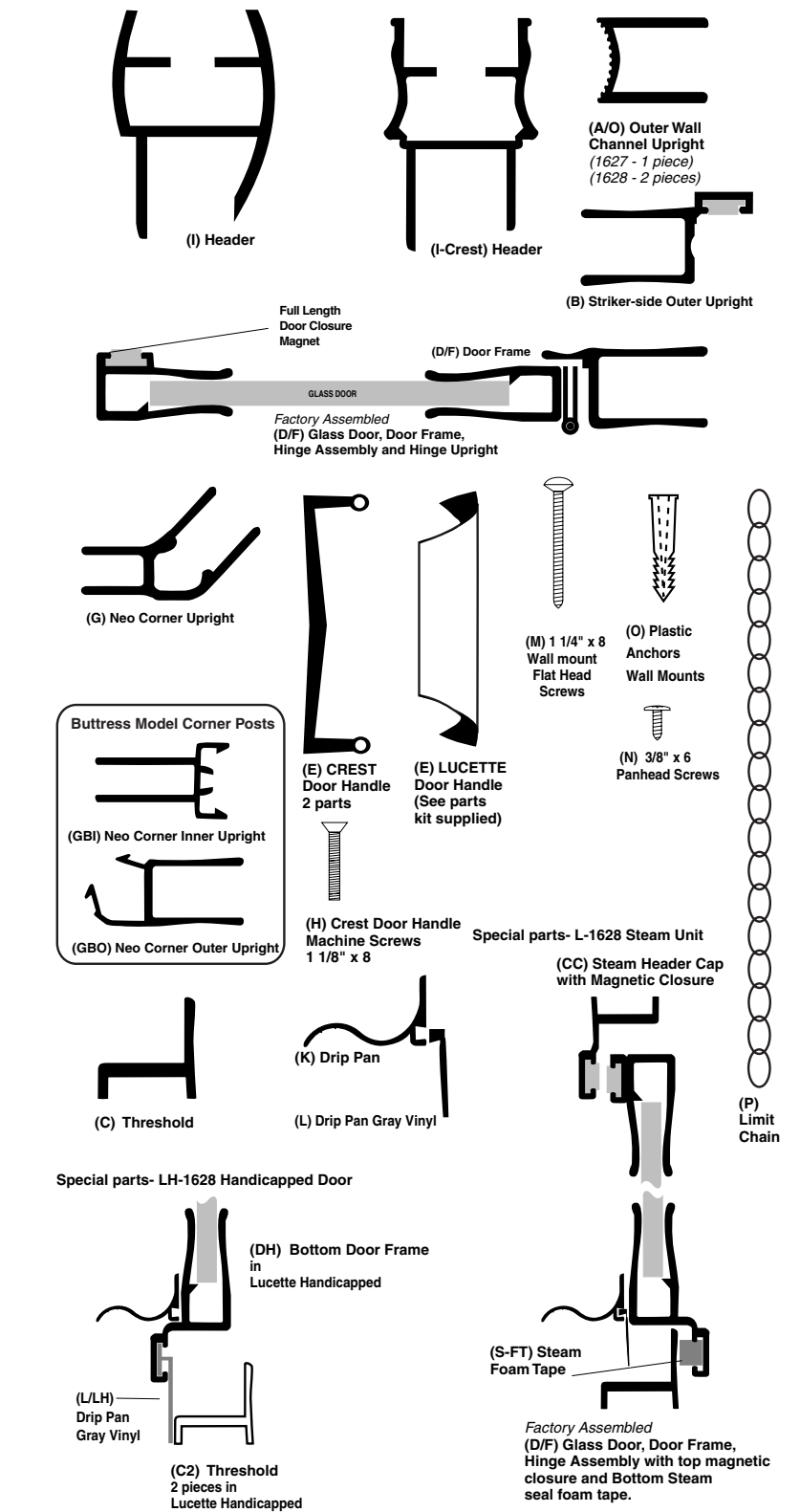
DO NOT CAULK Under Sidelights: Sidelights must be open under the panel and above Threshold for proper draining. Using shims during installation is done for this reason.



Century Bathworks, Inc., Models L -1669 / C-1669; and Buttress Models Units L-1669B & C-1669B

Installation Parts Inventory for Lucette & Crest Shower Door

Please carefully unpack all parts for your unit and check that you have all the hardware as listed below. If any parts are missing or damaged, please refer to the item letter and description as shown below when contacting Century or your dealer for replacements.



Letter	Part Name	Quantity
(A/O)	Outer Wall Upright	2
(B)	Striker Side Outer Upright	1
(C)	Threshold	1 (Threshold Buttress units may be in two or three factory cut pieces)
(G)	Neo Corner Upright	2
Buttress Models		
(GBO)	Neo Corner Outer Upright (Cut for buttress height)	2
(GBI)	Neo Corner Inner Upright (Cut for full unit height)	2
(D/F)	Factory Assembled Door with Frame, Hinge and Outer Upright	1 (Factory Assembly includes (D) Door (1), (F) Hinge Side Outer Upright (1), (G) Hinge (1))
(SL)	Sidelights	2
(E)	Door Handle	1
(I)	Header	1
(K)	Drip Pan	1
(L)	Drip pan Vinyl Sweep	1
(M)	1 1/4 x 8 Panhead Screws	8
(N)	3/8 x 6 Panhead Screws	40
(H)	1 1/8 x 8 Flathead Machine Screws (Handle)	2
(O)	Plastic Wall mount Anchors	8
(P)	Limit Chain	1
For Steam Units		
(DS)	Factory Assembled Steam Door, Hinge and Outer Upright along with Threshold Seal and Threshold Foam Tape (S-FT) for Steam Seal (Factory Installed)	1
(CC)	Magnetic insert	1
For Handicapped Units:		
(DH)	Factory Assembled Door with special bottom Frame outfitted for handicapped Sweep, Hinge & Hinge Outer Upright	1
(C2)	Threshold split for use under Sidelight/upright assemblies	2
(L/LH)	Vinyl Sweep (has "T" head, extra long touches floor)	1

L-71 or C-71: All parts the same as above except Door with Grill
CREST MODELS: All parts the same except for the Header (I-Crest) 1