

Century Bathworks, Inc. Centec Pivot Shower Door

Installation Instructions

INSTALLATION STEPS:

See Enlarged View of each Step on other side

Step 1: CH 1630 Threshold & 1630B Buttress Thresholds are cut to fit to the measurements you have supplied. The CH 1630B front Threshold will need to be cut to fit snugly. **After drilling mounting holes for uprights apply Silicone Caulk at each end of Threshold at the wall before installing uprights.**

Step 2: Level, drill and install Outer Wall Channel Uprights to wall.
Step 3: Install sidelight glass panels with thick vinyl shims (See Step #3 drawing on reverse side) at each corner as shown in wall channel and transition channel. **NOTE** glass inserts only halfway into any wall channel.)

Vertical Glazing -- Measure the thin Rubber Glazing Gaskets (ZV) for the vertical sides of the sidelight glass with a

inch or two extra. From the top, insert between glass and channel. Trim at bottom. **DO NOT STRETCH RUBBER**, leave long so it won't contract after installation.

Step 4: Install Inner Striker Upright (*Do not screw into place until after final tests, step 9.*)

Step 5: Install lower door frame on door.
Step 6: Assemble Magnetic/striker in handle extrusion (6a). Locate matching magnet in striker extrusion. Cut, fit and install Lower Bulb Vinyl with magnet above (6b). Install top Bulb Vinyl (6c). Test with door handle in temporary position on glass door. Install door handle in final position. Adjust striker/magnetic pull.

Step 7: Cut, fit and install Header to the wall channels.

Step 8: Install Door with Pivot Assembly by sliding Inner Upright into the Outer Upright. Be sure the door swings out. (*Pivot Assemblies, the Vinyl Tube and the Inner Pivot Upright are supplied assembled and*

installed on the Pivot Door Frame from the factory.) **Do not screw into place until after final tests, step 9.**

Step 9: Test door. Adjust inner uprights if necessary. Drill and screw Uprights, Header and Threshold.

Step 10: Cut, fit and install Header and Threshold caps. (Long leg is Header Cap).

Horizontal Glazing -- Measure the larger rubber glazing gaskets (ZH) for the horizontal seal. Insert between both the Threshold and Header to seal.

Step 11: Cut, file smooth and fit Drip Pan onto lower Door Frame. Install Sweep.

Step 12: **FINAL CAULKING** -- After installation is complete be sure to caulk all threshold and wall mounts from the inside of the unit where they contact walls or buttresses.

Model CH 1630 SINGLE DOOR WITH ONE SIDELIGHT RETURN

Model -1630B SINGLE DOOR WITH ONE SIDELIGHT RETURN ON A BUTTRESS WALL



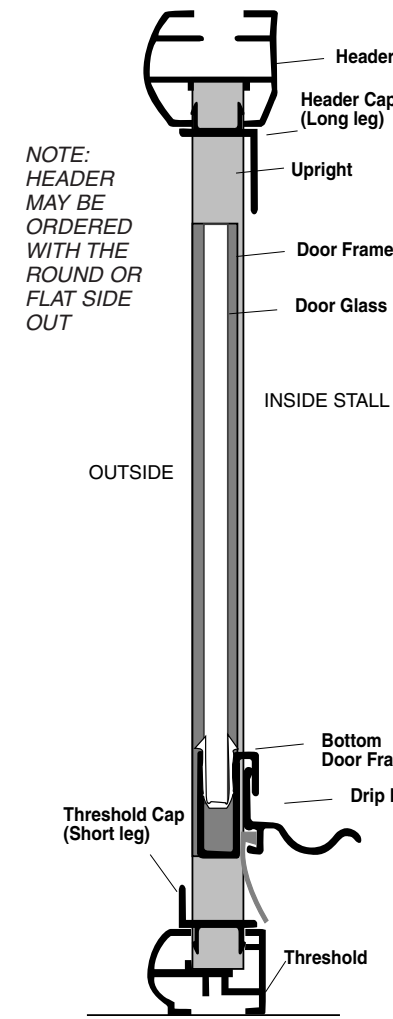
IMPORTANT:
Caulk here during installation as noted



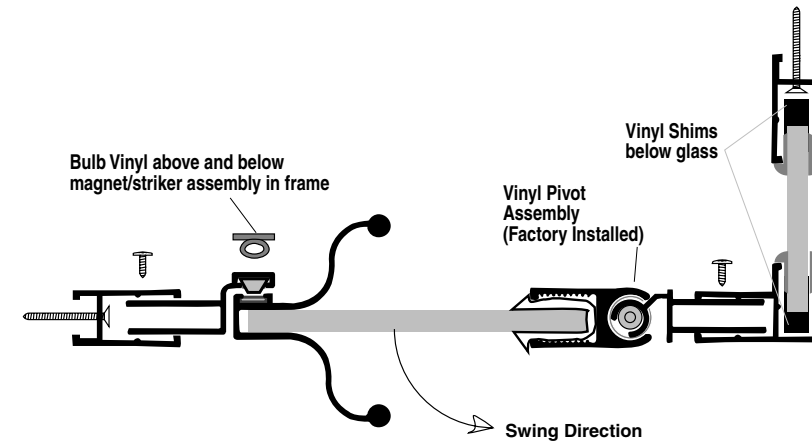
IMPORTANT:
To insure complete customer satisfaction Century Shower Door recommends installation by a professional installer.

Tools Required: Ruler, Level, Phillips Head Screwdriver, Hack Saw, Electric Drill, 3/16" Carbide Tipped Masonry Drill Bit, No. 32 Metal Cutting Drill Bit.

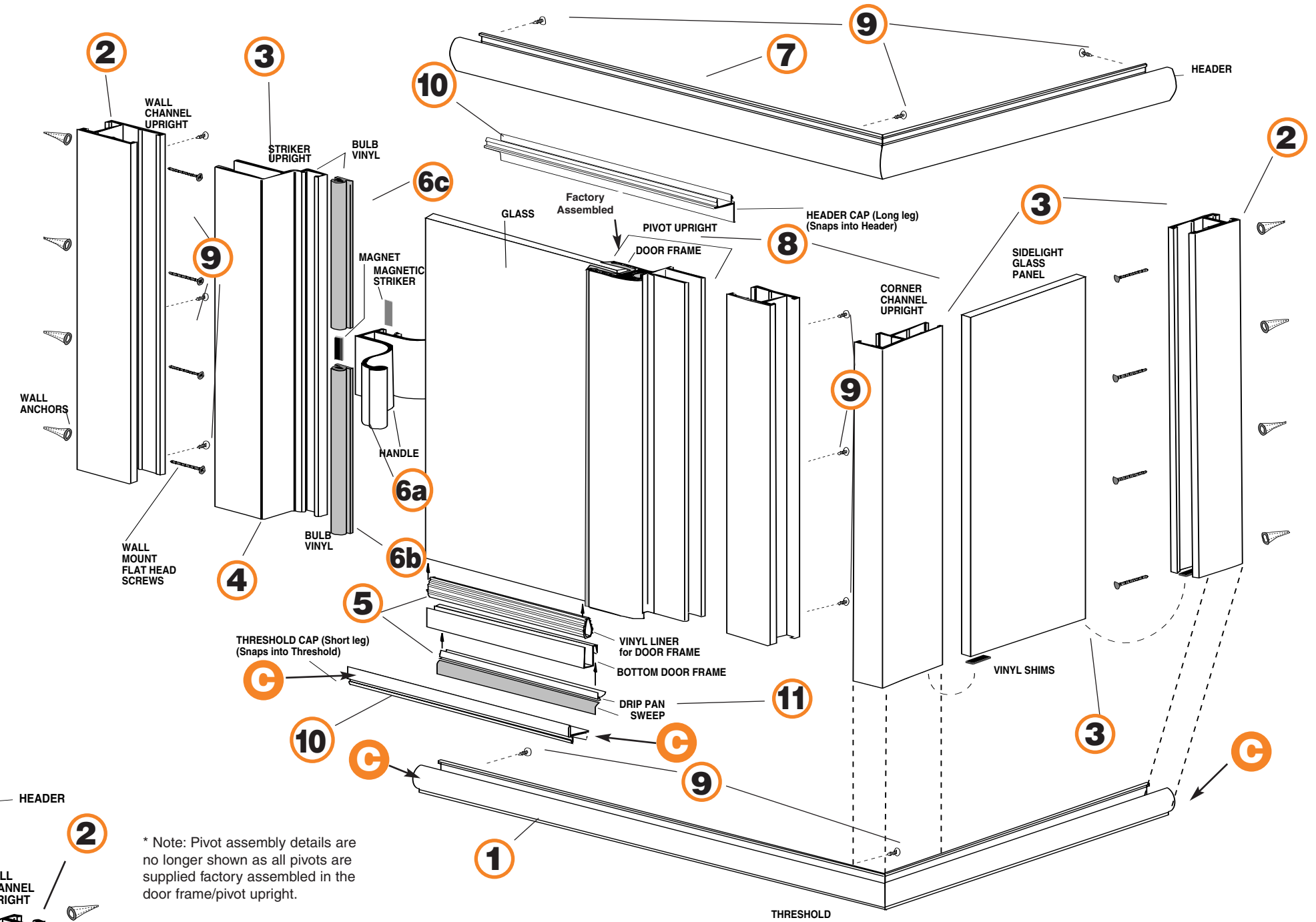
Section or side view



NOTE: HEADER MAY BE ORDERED WITH THE ROUND OR FLAT SIDE OUT

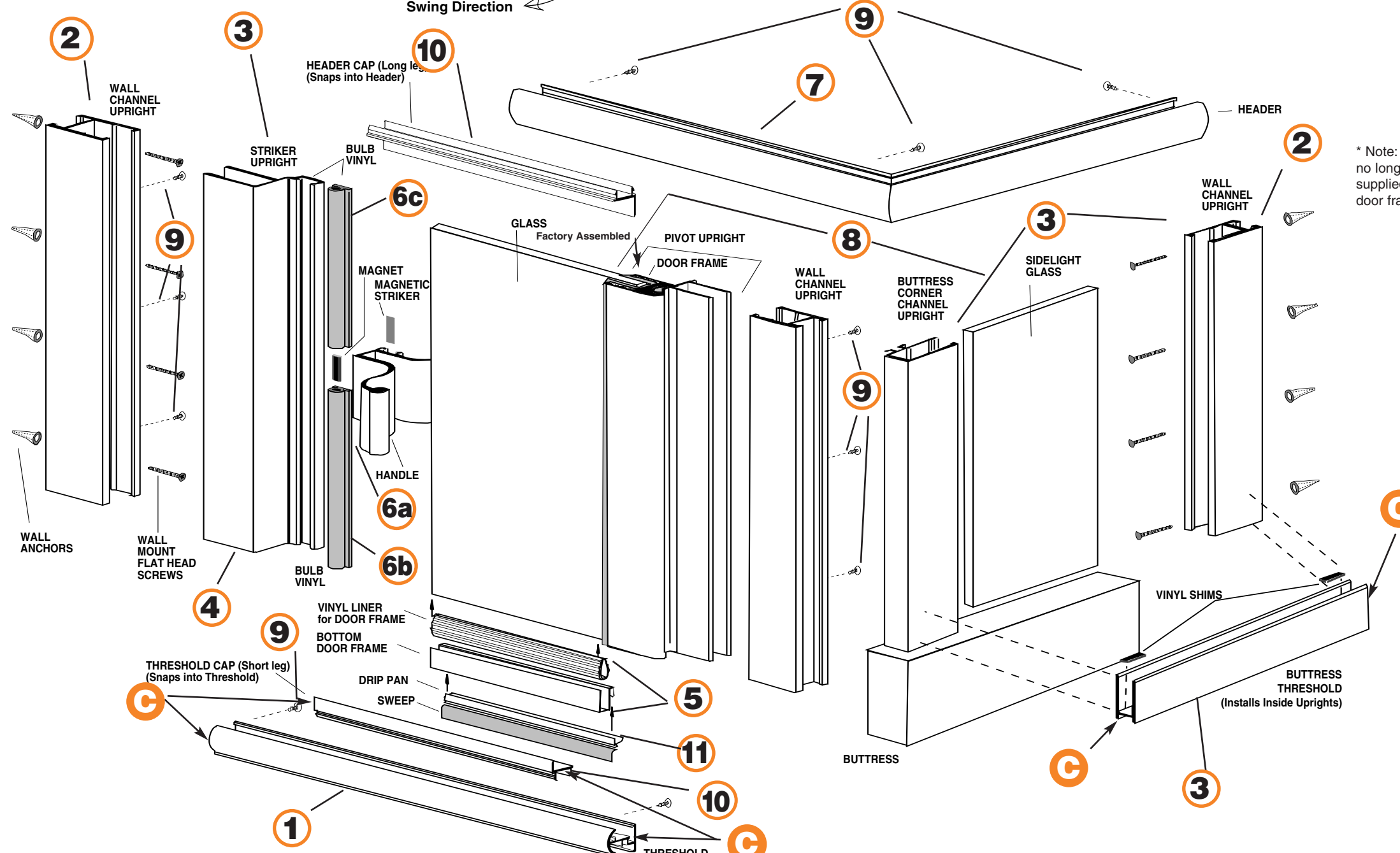
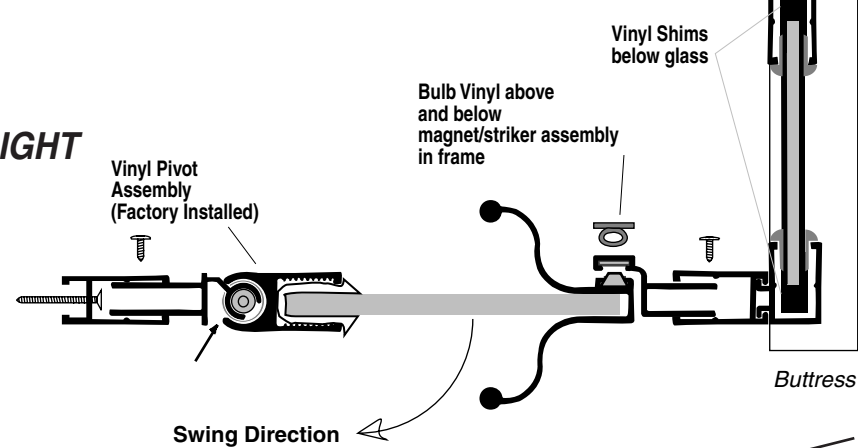


Model -1630 SINGLE DOOR WITH ONE SIDELIGHT RETURN



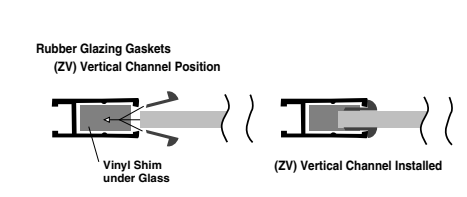
* Note: Pivot assembly details are no longer shown as all pivots are supplied factory assembled in the door frame/pivot upright.

Model -1630B SINGLE DOOR WITH ONE SIDELIGHT RETURN ON A BUTTRESS WALL

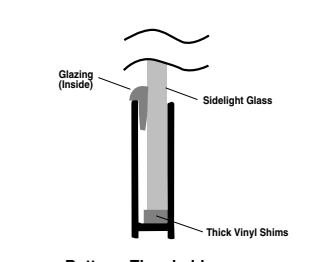


3 Step 3 vertical glazing

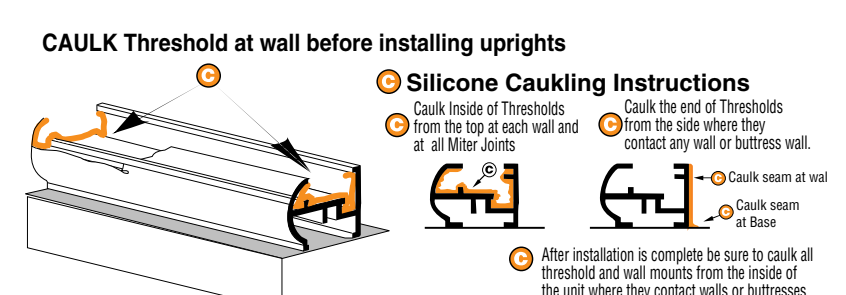
GLAZING INSTALLATION: Measure the thin Rubber Glazing Gaskets (ZV) for the vertical sides of the sidelight glass with a inch or two extra. From the top, insert between glass and channel. Trim at bottom.



BUTTRESS THRESHOLD GLAZING -- Measure the smaller of the rubber glazing gaskets (ZV) for this horizontal seal. Insert on **only one side** (inside) between the Glass and Threshold.

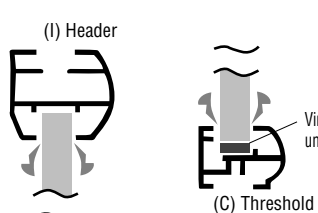


1 Step 1: Special Threshold Caulking



10 Step 10 Horizontal glazing

Measure the larger rubber glazing gaskets (ZH) for the horizontal seal. Insert between both the Threshold and Header to seal.



****important:** Before starting, please read instructions carefully and thoroughly; then proceed step by step.

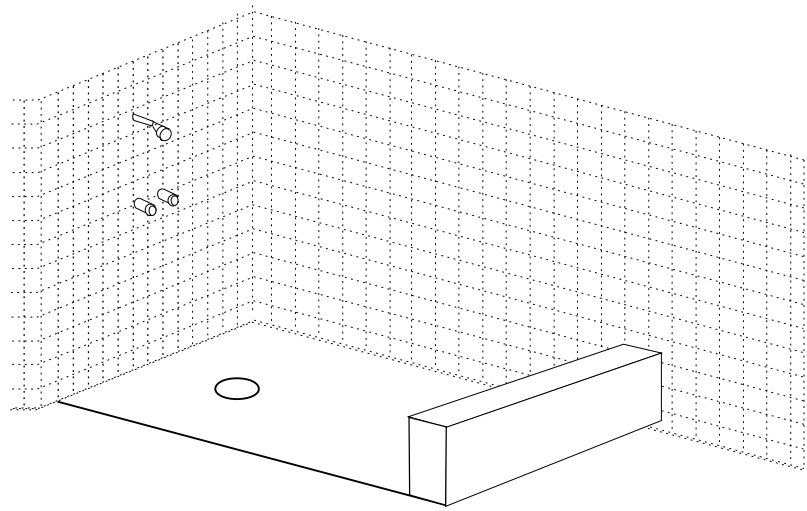
Please carefully unpack all parts for your unit and check that you have all the hardware as listed on back. If any parts are missing or damaged, please refer to the item letter and description as shown below when contacting Century or your dealer for replacements.

CAUTION: When drilling through tile, carefully break through glazed surface only with sharp tool or center punch, then drill slowly with 3/16" carbide tipped drill.

NOTICE: Please wear safety glasses whenever drilling or cutting tile or metal parts.

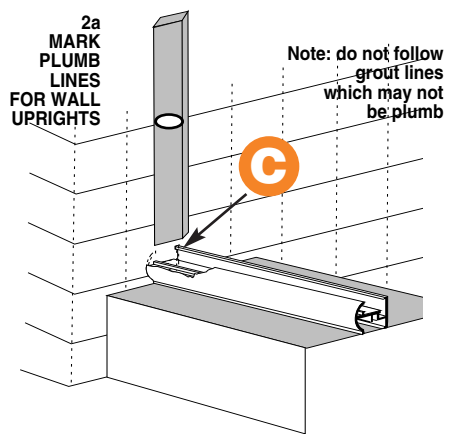
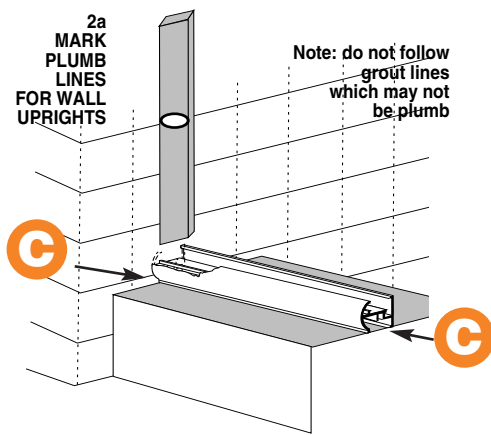
IMPORTANT NOTE: Wall Uprights must be installed level and plumb. Do not follow grout lines.

STEP 1 Check & Fit Threshold to opening. Caulk Ends.

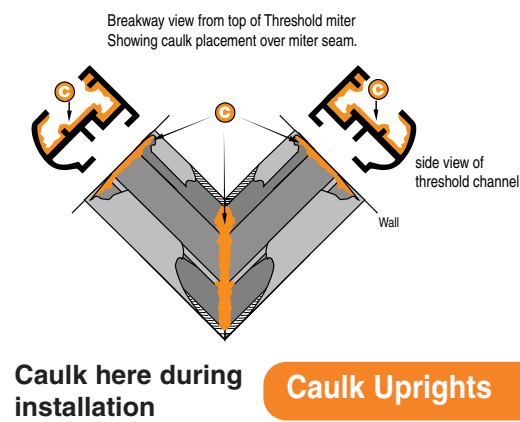


Step 1: Installation of Threshold
These installation instructions are based on the typical requirements for an enclosure with the usual tile and wall conditions. All parts are to the dimensions that you have submitted. The out of plumb variable for this unit is 1/4" maximum for out of plumb and out of level.
CH1630 Threshold (C) and CH1630B Buttress Thresholds (CC) are cut to fit snugly to the measurements for the shower opening at the base that you have supplied. Check fit.
For Models CH1630B the front threshold will need to be cut to fit. After drilling mounting holes for uprights Silicone Caulk bottom and ends of Threshold and place on base.
Caution: The round side of threshold must face to the outside of shower; this permits water to drain back into the shower.

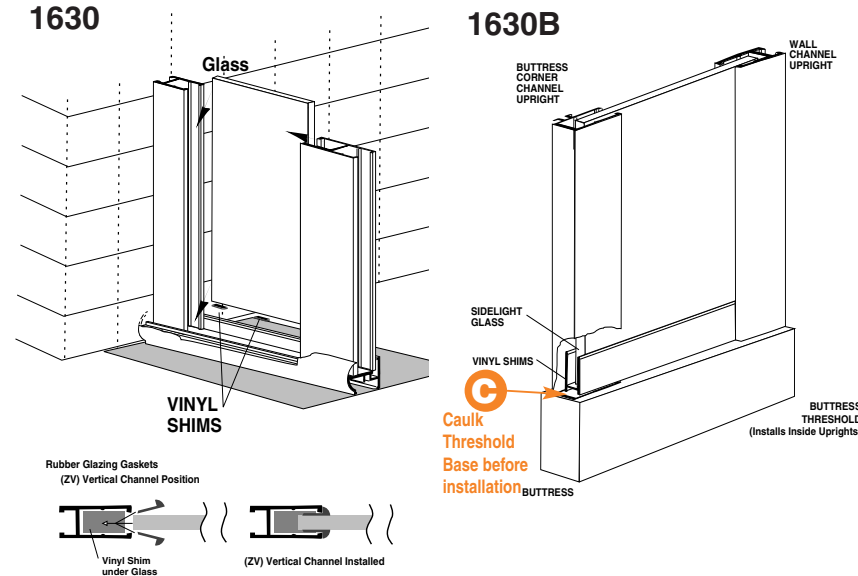
STEP 2 Measure, mark and drill uprights.



Step 2: Outer Wall Mounts: After the Threshold (C) is installed, place the Outer Wall Channel Uprights (A) (left and right) against wall resting on Threshold. You must align both Uprights vertically plumb and parallel. When the wall channel is plumb (use a level) mark the holes on wall. When setting the position, rest uprights on the Threshold.
Remove Uprights and drill holes in the wall with 3/16" carbide-tipped masonry bit. Insert plastic wall anchors into holes. Lightly tap them flush to the tile; this will help eliminate cracking the tile when screws expand the anchors. Caulk threshold / tile seam and the base of the Outer Wall Channel Uprights where they meet the threshold before screw mounting these upright to the wall. Screw Outer Wall Channel Uprights into position with your predrilled holes and mount to wall with 1 1/4" x 8 flathead screw (R).

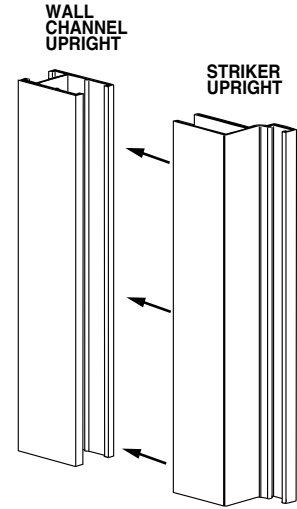


STEP 3 Install Sidelight Panel 1630 & 1630B



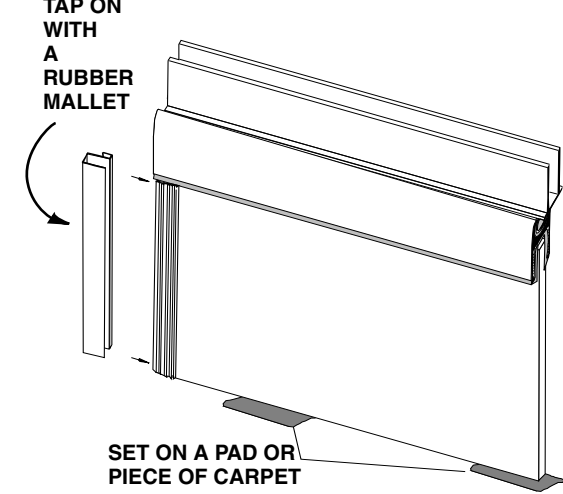
Step 3: Place Thick Vinyl Shims (X) in position on Threshold completely inside the Wall Channel and/or Corner Channel to cushion the bottom of the Glass sidelight panel. Place glass on on shims on threshold not more than halfway inside the wall channel. Insert Corner Channel (A2) over the glass halfway into channel - **NOTE Glass sidelights should only insert halfway into any upright.**
Vertical Glazing - Measure the thin Rubber Glazing Gaskets (ZV) for the vertical sides of the sidelight glass with a inch or two extra. From the top, insert between glass and channel. Trim at bottom. **DO NOT STRETCH RUBBER,** leave long so it won't contract after installation. In Models CH 1630B use the same smaller glazing gasket (ZV) on the sidelight at the Threshold. **INSERT ONE SIDE ONLY** on the inside of the unit.

STEP 4 Install Pivot Upright



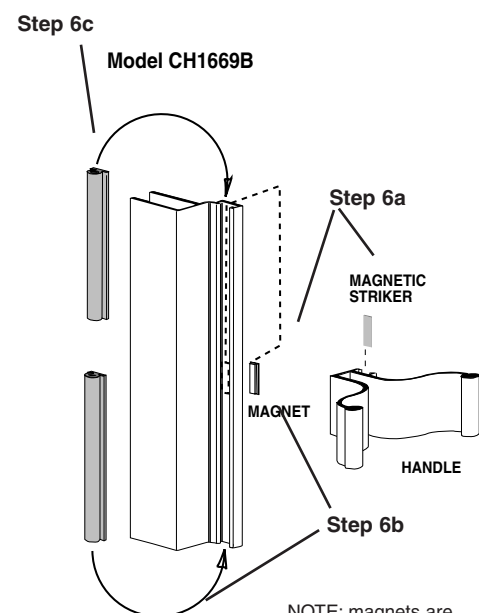
Step 4: Insert the inner Striker Upright (B) into the proper Outer Wall Channel Upright as determined by the door swing. Tape into place. (Do not screw into place until last step.)

STEP 5 Install Bottom Door Frame



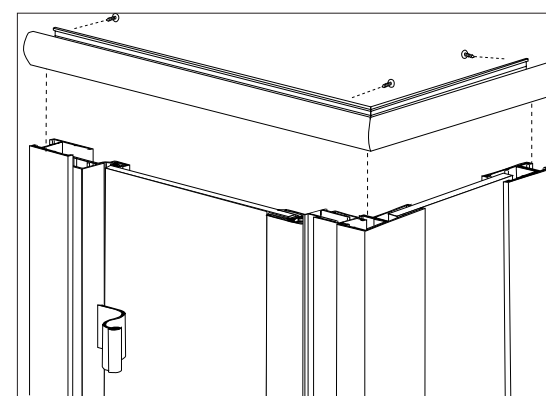
Step 5: After confirming the swing of the door label outside of door. Slide Vinyl Liner (M) on bottom of door. Tap Bottom Door Frame (J) gently onto vinyl making sure lip for the Drip Pan is on inside of door. (Drip Pan is installed as Step 11.)

STEP 6 Assemble Handle



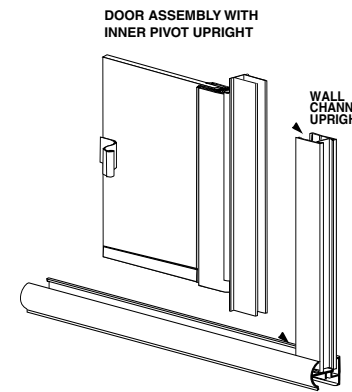
Step 6: Slide Magnet (W) into extrusion channel on the Striker Upright and magnetic striker into Handle (E). Slip Handle onto door without rubber gasket and tape into place. Align Magnet and Striker and mark position (6a). Cut bottom piece of Bulb Vinyl Strip (P) to fit below. Reinsert Magnet and Bulb Vinyl into Inner Striker Channel (B) (Step 6b). Cut Bulb Vinyl (P) to fit above Magnet (W) and slide in from top of the Upright (6c). Final installation of Handle onto the door is completed using the Black Rubber Gasket (O) that creates a very tight fit to hold it in place. Wrap Black Rubber Gasket over edge of glass door in marked handle location. Place handle over it and tap onto door. Trim any gasket that shows. Test magnetic contact and if too strong adjust by moving the magnetic striker to decrease pull. Put a small amount of silicone on the bottom of the handle to fix magnetic striker in place.

STEP 7 Measure and Cut Header



Step 7: Cut Header to fit and put on top of unit. Fix the ends of the Header (C) to both wall uprights with 1/2 x 6 pan-head screws (SH). Wait to fix the middle uprights until the door swing is fully adjusted. (Note: Header offers the option of installation with round or flat side out which must be stated at the time of order.)

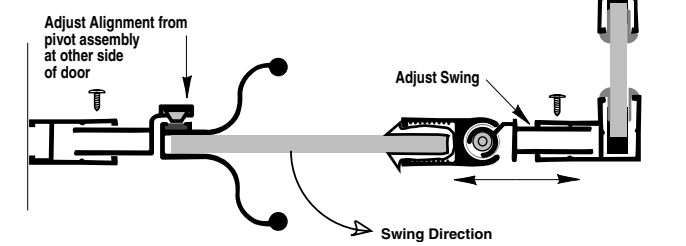
STEP 8 Install Pivot Upright with Door



Step 8: Install Door/Pivot Upright Assembly into the Channel Upright. Be sure door swings out. Clamp or Tape into place. (Do not screw into place until Step 9.)
Note: The Pivot Assembly (G), Inner Pivot Upright (D) and Vinyl Tube (Q) are supplied factory assembled and inserted into the Door & Frame extrusion (D Assembly).

STEP 9 Test Door Swing and Adjust

Step 9: With the Header in place test door swing and adjust from the Inner Striker Upright (B) and/or the Door/Pivot Upright Assembly (D/F) to obtain the proper clearance. Once the door is fully adjusted and working fix the pivot and striker Uprights by drilling mounting holes through the Channel Uprights into the Inner Uprights with #32 drill bit. Fix assembly using 3/8 x 6 pan head screws. After the vertical members are fixed attach Header (flat side) and Threshold to these uprights with 1/2 x 6 Panhead Screws.

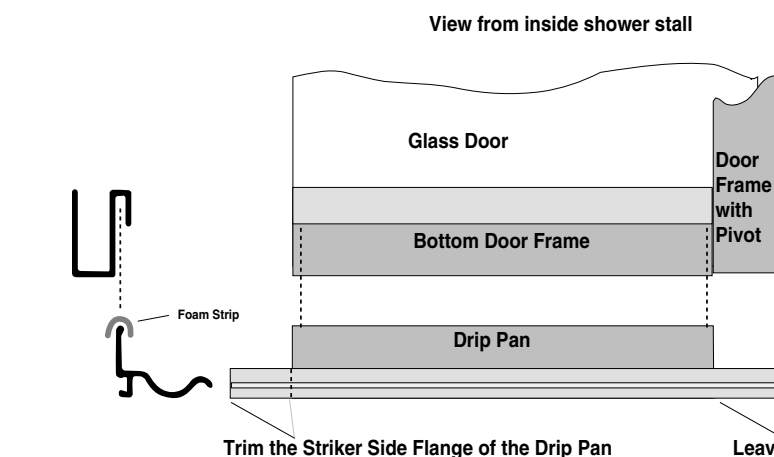


STEP 10 Measure and Cut Header and Threshold Caps

Step 10: Measure, cut and fit Header and Threshold Caps. (Long leg cap is Header Cap.) Snap into place. Silicone Caulk the bottom of Threshold Cap where it meets the uprights.



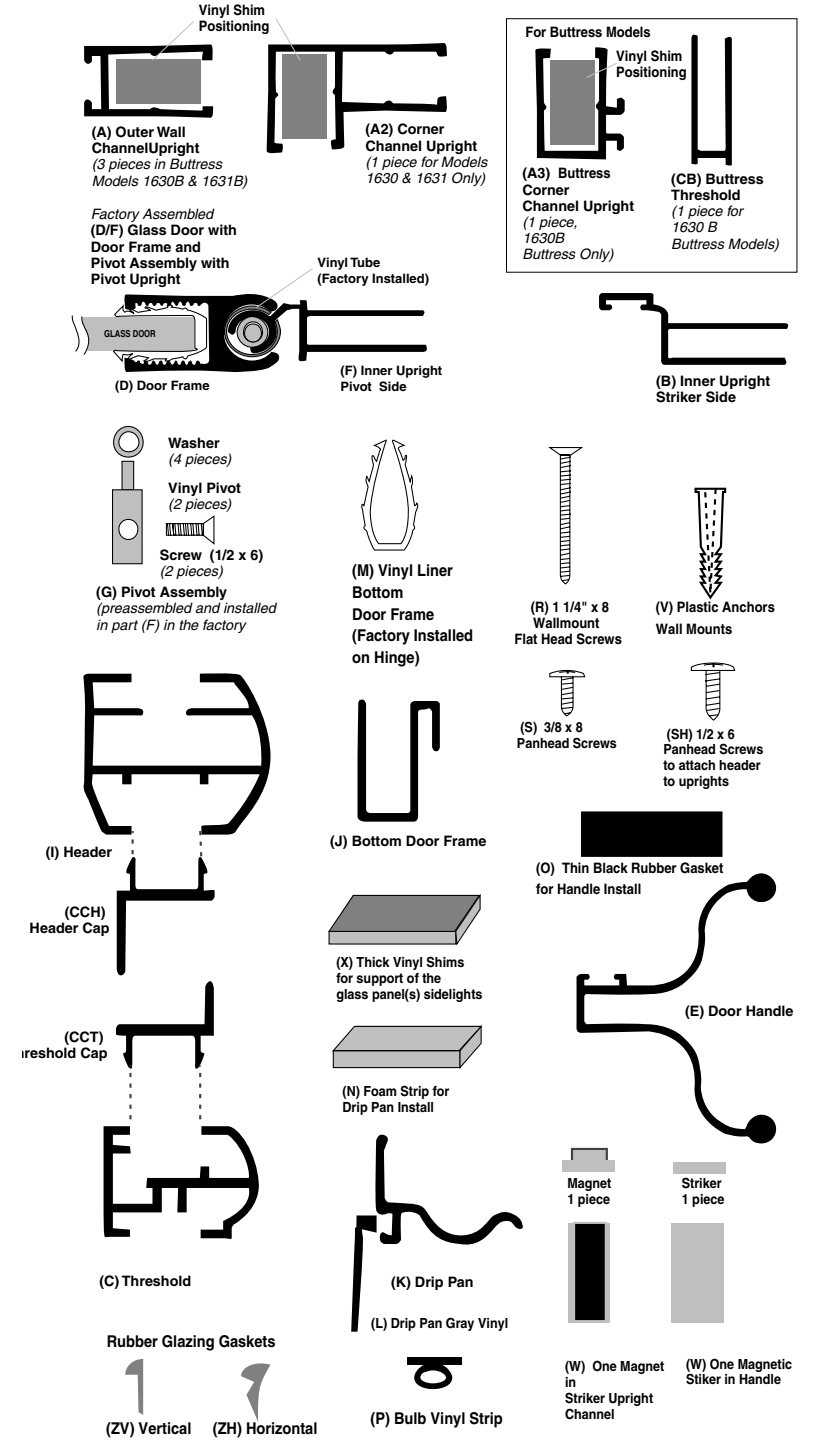
STEP 11 Measure, Cut and Install the Drip Pan & Sweep



Step 11: Drip Pan is supplied for either door swing. Trim the extra length of Drip Pan (K) that would be on the striker side of the door when installed (as viewed from the inside of the stall). Leave Drip Pan long on the pivot side of door. File the cut smooth and round the cut edge. Cut small piece of Foam Strip (N) into 2 pieces and place over the top of the vertical leg of the drip pan. Slide Drip Pan Vinyl Sweep (L) into drip pan as shown. Slide drip pan into lip on Bottom Door Frame (J) section of door and adjust as needed to provide a slight horizontal tilt to the drip pan (with the low side toward the hinge side of the door) so that the water runs back into the shower. Run a bead of silicone on back edge of drip pan to secure drip pan to door.

Step 12: FINAL CAULKING - On Completion of Assembly and Installation Additional Caulking:
Silicone entire inside of the unit where it meets the wall and the base to prevent water leakage.

Please carefully unpack all parts for your unit and check that you have all the hardware as listed below. If any parts are missing or damaged, please refer to the item letter and description as shown below when contacting Century or your dealer for replacements.



Letter	Part Name	Quantity
(A)	Outer Wall Channel Upright	.3
(A2)	Corner Channel Upright Non Buttress Models 1630	.1
(A3)	Buttress Corner Channel Upright Models 1630B Use with Upright A	.1
(B)	Striker Side Inner Upright	.1
(C)	Threshold	.1
(CB)	Buttress Threshold (1630B)	.1
(CCH)	Header Cap	.1
(CCT)	Threshold Cap	.1
(I)	Header	.1
(D/F)	Factory Installed Door /Frame & Pivot Upright	.1
(D)	Door Frame Pivot Side (1)	
(F)	Pivot Side Inner Upright (1)	
(G)	Pivot Assembly (Factory Installed) (2) Vinyl Pivots (2), Washers (4), Screws (2)	
(Q)	Vinyl Tube for Pivot (1)	
(E)	Door Handle	.1
(J)	Bottom Door Frame	.1
(K)	Drip Pan	.1
(L)	Drip Pan Vinyl Sweep	.1
(M)	Vinyl Liner for Door Frame	.1
(N)	Foam Strip for Drip Pan	.1
(O)	Black Rubber Gasket (Handle)	.1
(P)	Bulb Vinyl	.1
(R)	1 1/4 x 8 Flathead Screws	.8
(S)	3/8 x 8 Panhead Screws	.8
(SH)	1/2 x 6 Panhead Screws (for Header)	.7
(V)	Plastic Wall mount Anchors	.8
(W)	Magnet/Striker for Handle and Frame One Magnet and One Magnetic Striker	.2
(X)	Thick Vinyl Shim (CH1630)	.2
(ZV)	Glazing Gaskets for Vertical Sides Glass	.roll
(ZH)	Glazing Gaskets for Horizontal Sides Glass	.roll

Tools required for this job:
- Tape measure
- 3/16" carbide tipped masonry drill bit
- #32 drill bit
- Drill
- Level
- Flat head screwdriver
- Phillips head screwdriver
- Hacksaw
- File for removal of burrs
- Silicone caulk (clear provided)
- Caulking gun (optional)
- Mineral spirits or turpentine

Also recommended:
- Low tack or masking tape for holding parts in place for preassembly
- Center punch or awl for marking parts
- Pencil

© 2004 Century Bathworks, Inc.
250 Lackawanna Ave.
West Paterson, NJ 07424
TOLL FREE 1 800-524-2578

Century Bathworks, Inc.

Centec Pivot Shower Door

Installation Instructions

Model CH 1631

SINGLE DOOR WITH ONE SIDELIGHT
AND ONE SIDELIGHT RETURN

Model -1631B

SINGLE DOOR WITH ONE SIDELIGHT AND
ONE SIDELIGHT RETURN ON A BUTTRESS WALL

C IMPORTANT: Caulk here during installation as noted

! IMPORTANT: To insure complete customer satisfaction Century Shower Door recommends installation by a professional installer.

Tools Required: Ruler, Level, Phillips Head Screwdriver, Hack Saw, Electric Drill, 3/16" Carbide Tipped Masonry Drill Bit, No. 32 Metal Cutting Drill Bit.

INSTALLATION STEPS:

See Enlarged View of each Step on other side

Step 1: Step 1: CH 1631 Threshold & 1631B Buttress Thresholds are cut to fit to the measurements you have supplied. The CH 1631B front Threshold will need to be cut to fit snugly. **After drilling mounting holes for uprights apply Silicone Caulk at each end of Threshold at the wall before installing uprights.**

Step 2: Level, drill and install Outer Wall Channel Uprights to wall.

Step 3: Install sidelight glass panels with thick vinyl shims (See Step #3 drawing on reverse side) at each corner as shown in wall channel and transition channel. NOTE glass inserts only halfway into any wall channel.)

Vertical Glazing -- Measure the thin Rubber Glazing Gaskets (ZV) for the verti-

cal sides of the sidelight glass with a inch or two extra. From the top, insert between glass and channel. Trim at bottom. **DO NOT STRETCH RUBBER,** leave long so it won't contract after installation.

Step 4: Install Inner Striker Upright (Do not screw into place until after final tests, step 9.)

Step 5: Install lower door frame on door.

Step 6: Assemble Magnetic/striker in handle extrusion (6a). Locate matching magnet in striker extrusion. Cut, fit and install Lower Bulb Vinyl with magnet above (6b). Install top Bulb Vinyl (6c). Test with door handle in temporary position on glass door. Install door handle in final position. Adjust striker/magnetic pull.

Step 7: Cut, fit and install Header to the wall channels.

Step 8: Install Door with Pivot Assembly by sliding Inner Upright into the Outer Upright. Be sure the door swings out.

(Pivot Assemblies, the Vinyl Tube and the Inner Pivot Upright are supplied assembled and installed on the Pivot Door Frame from the factory.) Do not screw into place until after final tests, step 9.)

Step 9: Test door. Adjust inner uprights if necessary. Drill and screw together Inner and Outer Uprights. Fix Header and Threshold to middle uprights.

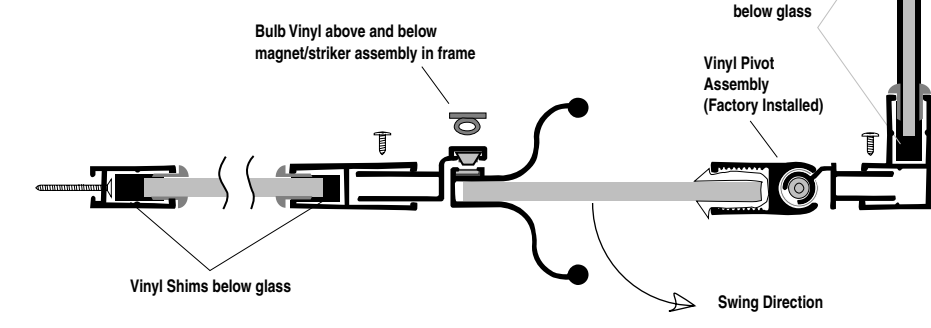
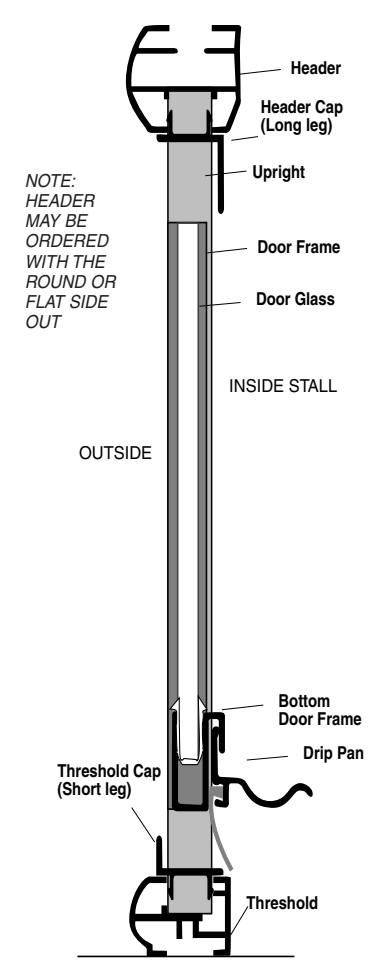
Step 10: Cut, fit and install Header and Threshold caps. (Long leg is Header Cap).

Horizontal Glazing -- Measure the larger rubber glazing gaskets (ZH) for the horizontal seal. Insert between both the Threshold and Header to seal.

Step 11: Cut, file smooth and fit Drip Pan onto lower Door Frame. Install Sweep.

Step 12: **FINAL CAULKING --** After installation is complete be sure to caulk all threshold and wall mounts from the inside of the unit where they contact walls or buttresses.

Section or side view

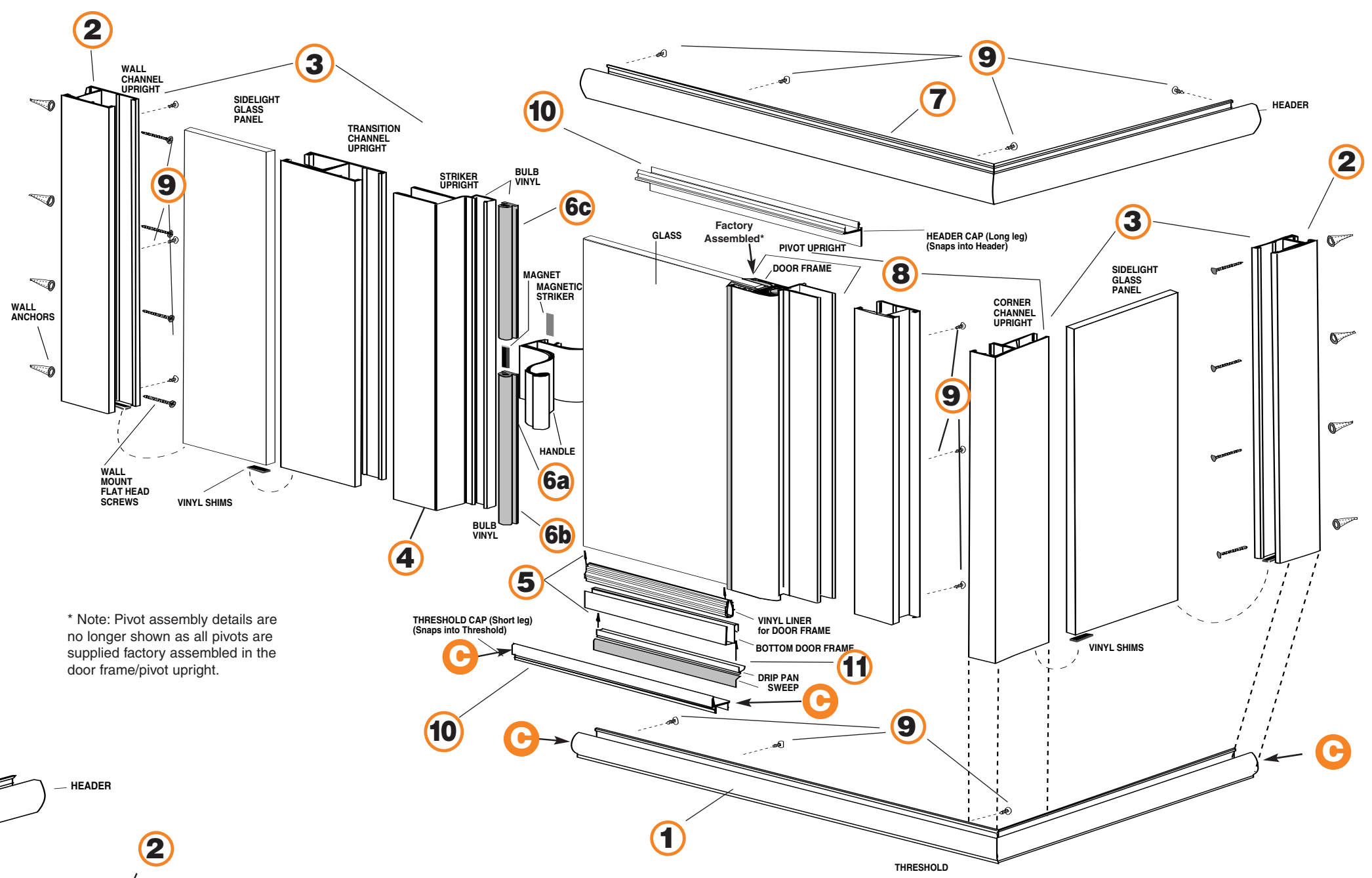
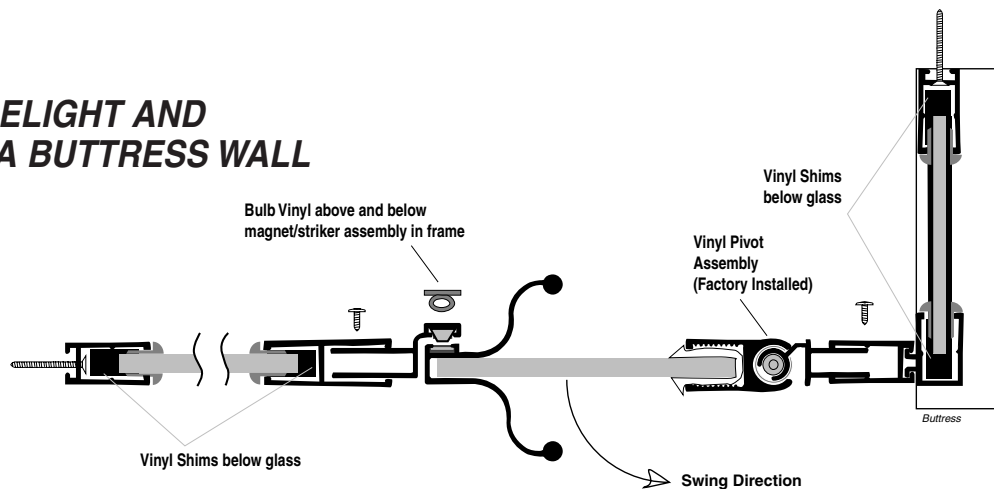


Model -1631

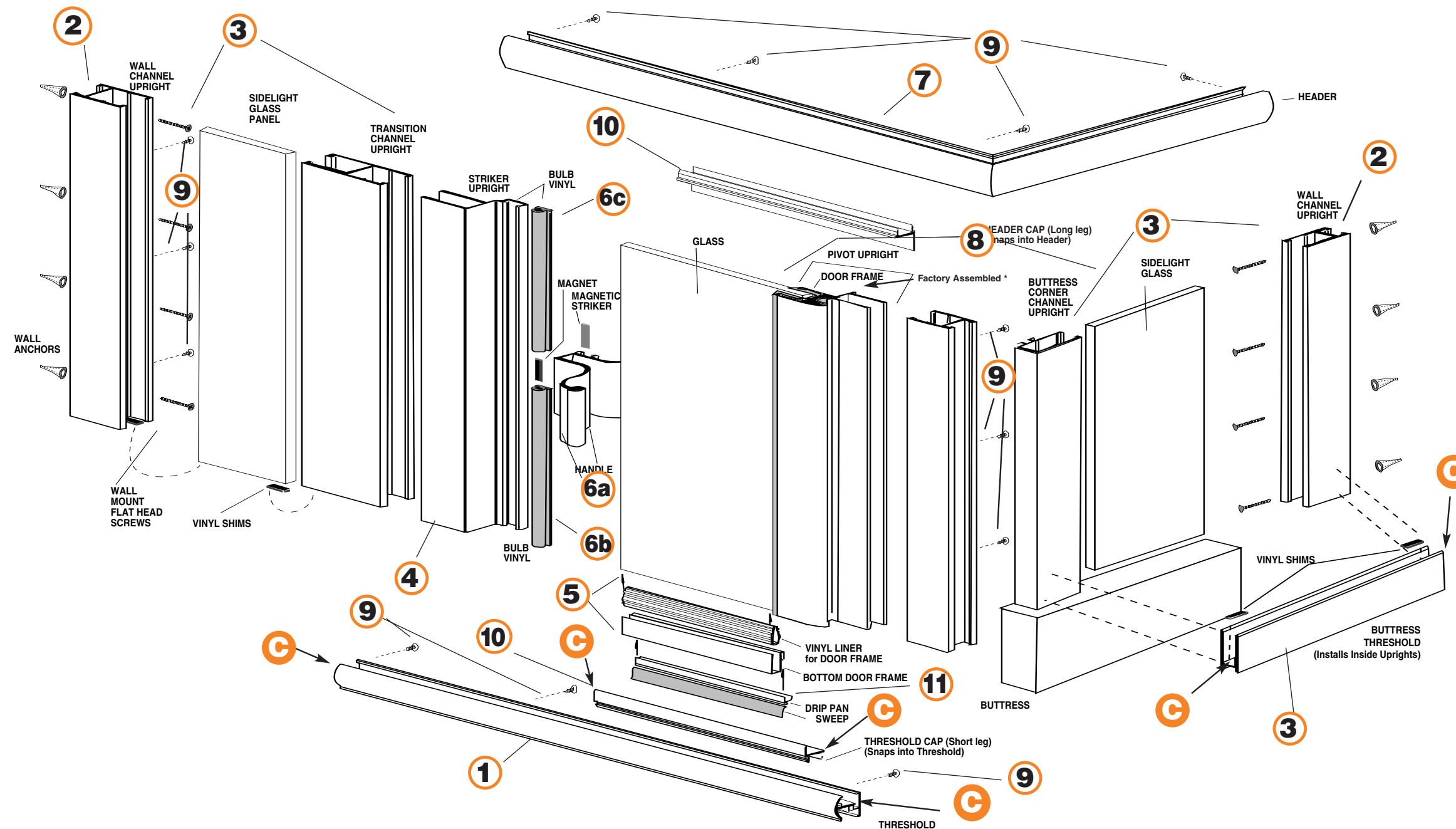
SINGLE DOOR WITH ONE SIDELIGHT AND
ONE SIDELIGHT RETURN

Model -1631B

SINGLE DOOR WITH ONE SIDELIGHT AND
ONE SIDELIGHT RETURN ON A BUTTRESS WALL

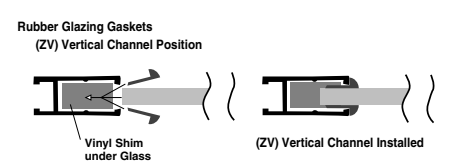


* Note: Pivot assembly details are no longer shown as all pivots are supplied factory assembled in the door frame/pivot upright.

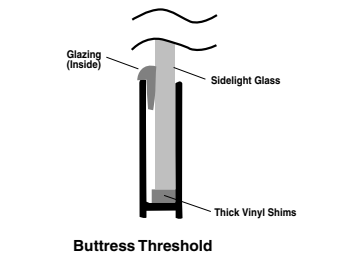


3 Step 3 vertical glazing

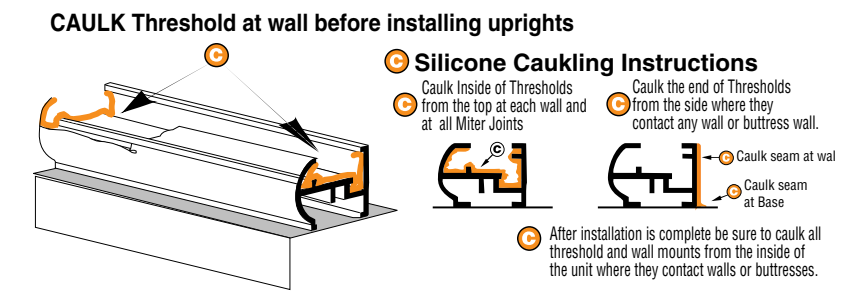
GLAZING INSTALLATION : Measure the thin Rubber Glazing Gaskets (ZV) for the vertical sides of the sidelight glass with a inch or two extra. From the top, insert between glass and channel. Trim at bottom.



BUTTRESS THRESHOLD GLAZING -- Measure the smaller of the rubber glazing gaskets (ZV) for this horizontal seal. Insert on only one side (inside) between the Glass and Threshold.

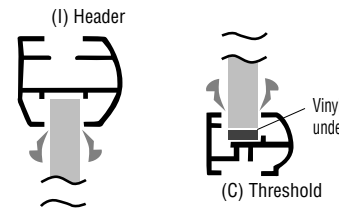


1 Step 1: Special Threshold Caulking



10 Step 10 Horizontal glazing

Measure the larger rubber glazing gaskets (ZH) for the horizontal seal. Insert between both the Threshold and Header to seal.



Century Bathworks, Inc., Model CH 1631/1631B Step by Step Installation Instructions Centec Pivot Shower Door

****important:** Before starting, please read instructions carefully and thoroughly; then proceed step by step.

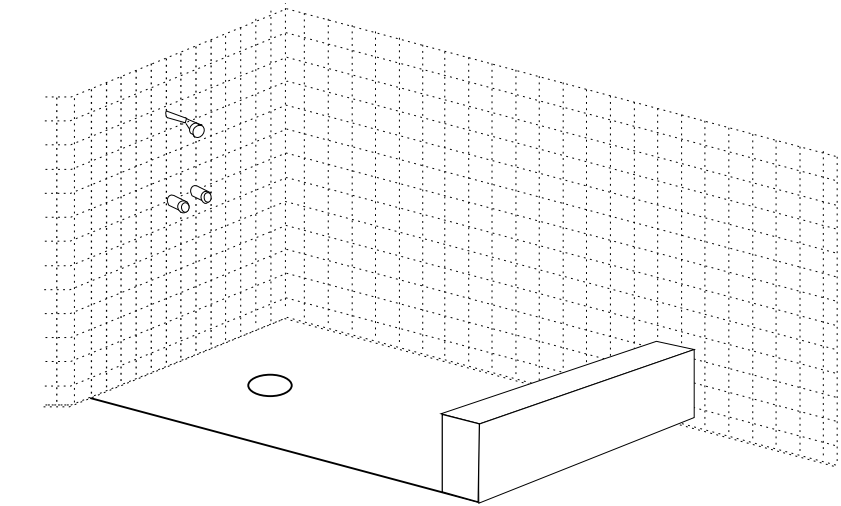
Please carefully unpack all parts for your unit and check that you have all the hardware as listed on back. If any parts are missing or damaged, please refer to the item letter and description as shown below when contacting Century or your dealer for replacements.

CAUTION: When drilling through tile, carefully break through glazed surface only with sharp tool or center punch, then drill slowly with 3/16" carbide tipped drill.

NOTICE: Please wear safety glasses whenever drilling or cutting tile or metal parts.

IMPORTANT NOTE: Wall Uprights must be installed level and plumb. Do not follow grout lines.

STEP 1 Check & Fit Threshold to opening. Caulk Ends.



Step 1: Installation of Threshold

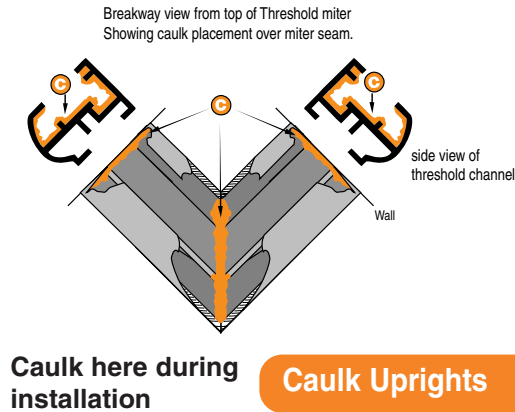
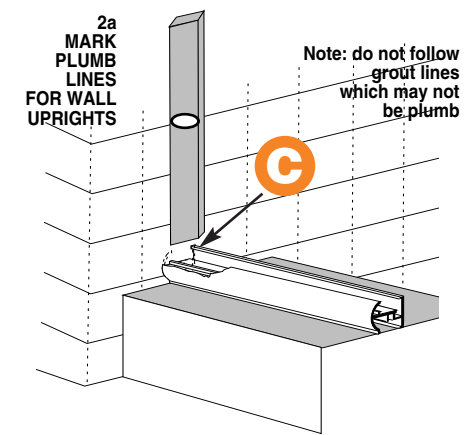
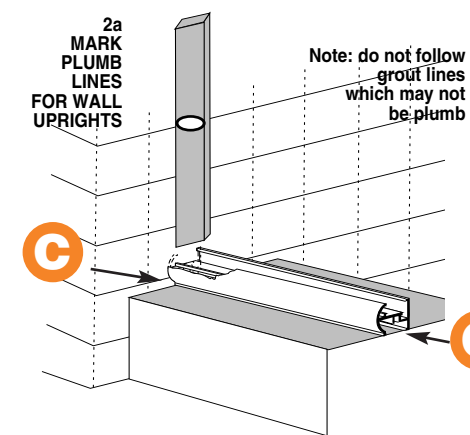
These installation instructions are based on the typical requirements for an enclosure with the usual tile and wall conditions. All parts are to the dimensions that you have submitted. The out of plumb variable for this unit is 1/4" maximum for out of plumb and out of level.

CH1631 Threshold (C) and CH1631B Buttress Thresholds (CC) are cut to fit snugly to the measurements for the shower opening at the base that you have supplied. Check fit.

For Models CH1631B the front threshold will need to be cut to fit. After drilling mounting holes for uprights Silicone Caulk bottom and ends of Threshold and place on base

Caution: The round side of threshold must face to the outside of shower; this permits water to drain back into the shower.

STEP 2 Measure, mark and drill uprights.

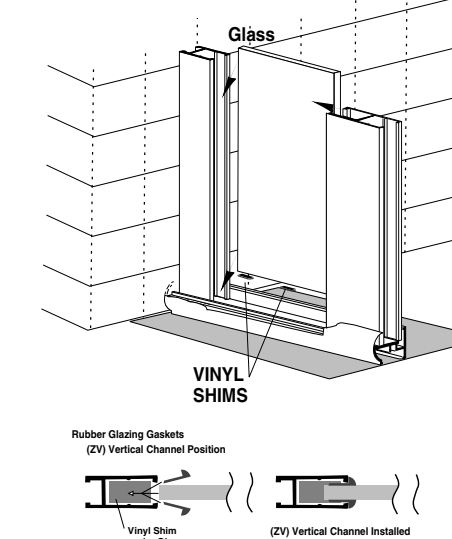


Step 2: Outer Wall Mounts: After the Threshold (C) is installed, place the Outer Wall Channel Uprights (A) (left and right) against wall resting on Threshold. You must align both Uprights vertically plumb and parallel. When the wall channel is plumb (use a level) mark the holes on wall. When setting the position, rest uprights on the Threshold.

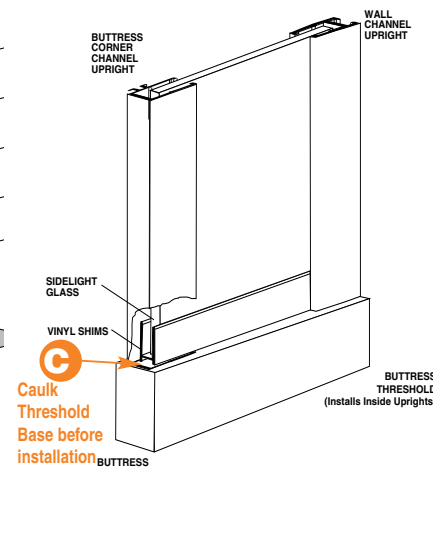
Remove Uprights and drill holes in the wall with 3/16" carbide-tipped masonry bit. Insert plastic wall anchors into holes. Lightly tap them flush to the tile; this will help eliminate cracking the tile when screws expand the anchors. Caulk threshold / tile seam and the base of the Outer Wall Channel Uprights where they meet the threshold before screw mounting these upright to the wall. Screw Outer Wall Channel Uprights into position with your predrilled holes and mount to wall with 1 1/4" x 8 flathead screw (R).

STEP 3 Install Sidelight Panel 1631 & 1631B

Non-buttress Sidelight



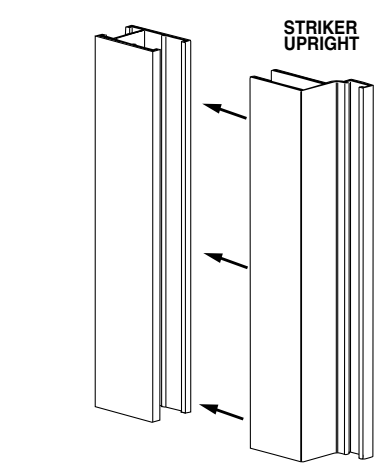
Buttress Sidelight



Step 3: Place Thick Vinyl Shims (X) in position on Threshold completely inside the Wall Channel and/or Corner Channel to cushion the bottom of the Glass sidelight panel. Place glass on on shims on threshold not more than halfway inside the wall channel. Insert Corner Channel (A2) or Transition Channel (AA) over the glass halfway into channel - **NOTE Glass sidelights should only insert halfway into any upright.**
Vertical Glazing - Measure the thin Rubber Glazing Gaskets (ZV) for the vertical sides of the sidelight glass with a inch or two extra. From the top, insert between glass and channel. Trim at bottom. **DO NOT STRETCH RUBBER,** leave long so it won't contract after installation. In Models CH 1631B use the same smaller glazing gasket (ZV) on the sidelight at the Threshold. **INSERT ONE SIDE ONLY** on the inside of the unit.

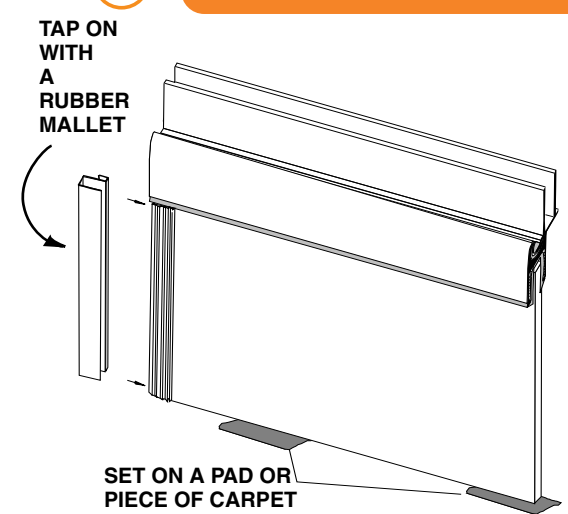
STEP 4 Install Pivot Upright

Wall Channel or Transition Channel



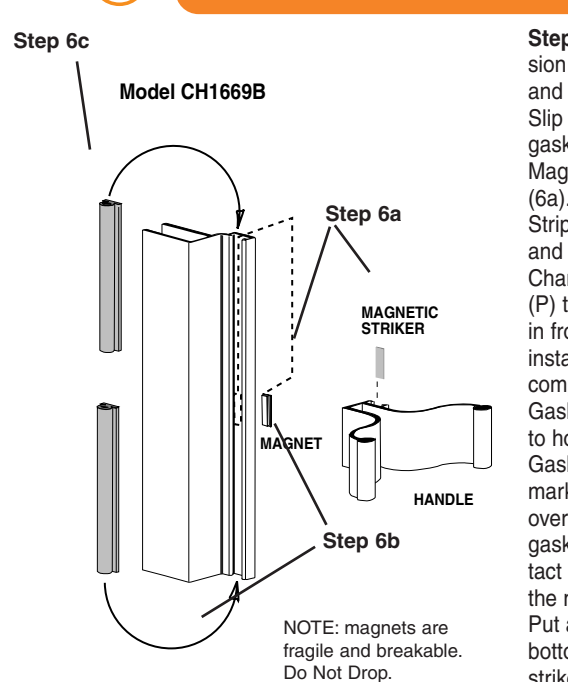
Step 4: Insert the inner Striker Upright (B) into the proper the Transition or Wall Channel Upright as determined by the door swing. Tape into place. **(Do not screw into place until last step.)**

STEP 5 Install Bottom Door Frame



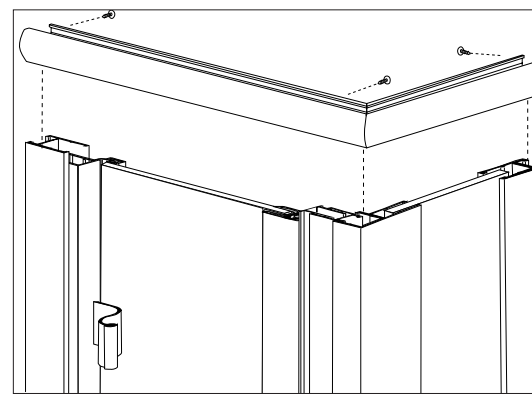
Step 5: After confirming the swing of the door label outside of door. Slide Vinyl Liner (M) on bottom of door. Tap Bottom Door Frame (J) gently onto vinyl making sure lip for the Drip Pan is on inside of door. **(Drip Pan is installed as Step 11.)**

STEP 6 Assemble Handle



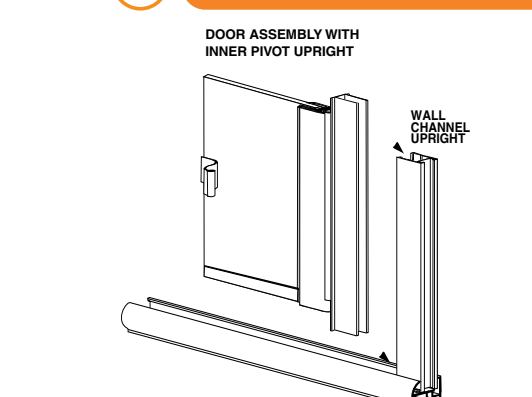
Step 6: Slide Magnet (W) into extrusion channel on the Striker Upright and magnetic striker to Handle (E). Slip Handle onto door without rubber gasket and tape into place. Align Magnet and Striker and mark position (6a). Cut bottom piece of Bulb Vinyl Strip (P) to fit below. Reinsert Magnet and Bulb Vinyl into Inner Striker Channel (B) (Step 6b). Cut Bulb Vinyl (P) to fit above Magnet (W) and slide in from top of the Upright (6c). Final installation of Handle onto the door is completed using the Black Rubber Gasket (O) that creates a very tight fit to hold it in place. Wrap Black Rubber Gasket over edge of glass door in marked handle location. Place handle over it and tap onto door. Trim any gasket that shows. Test magnetic contact and if too strong adjust by moving the magnetic striker to decrease pull. Put a small amount of silicone on the bottom of the handle to fix magnetic striker in place.

STEP 7 Measure and Cut Header



Step 7: Cut Header to fit and put on top of unit. Fix the ends of the Header (C) to both wall uprights with 1/2 x 6 pan-head screws (SH). Wait to fix the middle uprights until the door swing is fully adjusted. **(Note: Header offers the option of installation with round or flat side out which must be stated at the time of order.)**

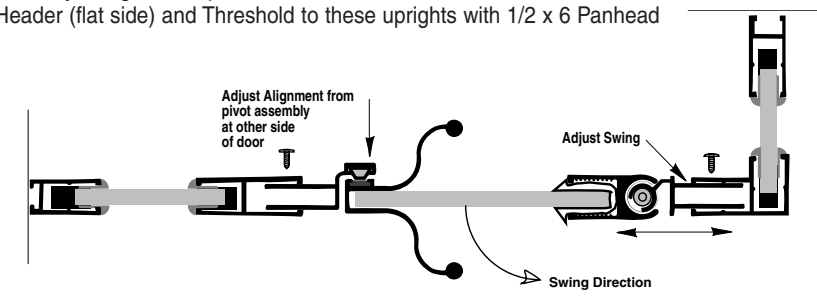
STEP 8 Install Pivot Upright with Door



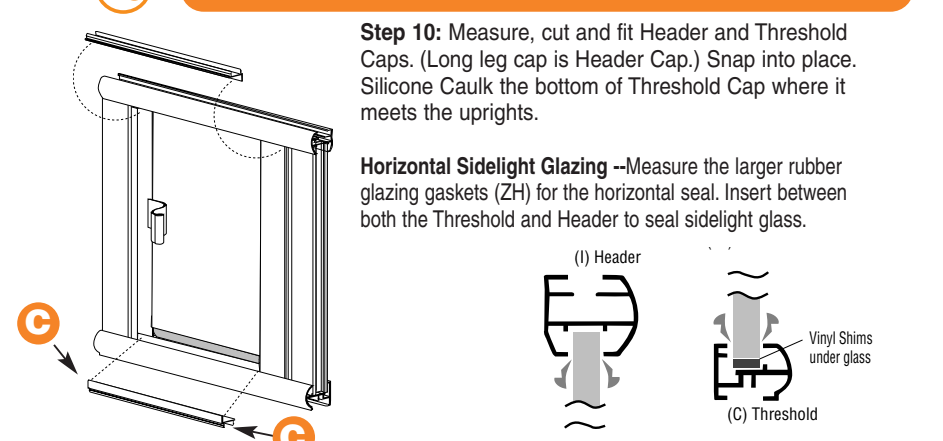
Step 8: Install Door/Pivot Upright Assembly into the Channel Upright. Be sure door swings out. Clamp or Tape into place. **(Do not screw into place until Step 9.)**
Note: The Pivot Assembly (G), Inner Pivot Upright (D) and Vinyl Tube (Q) are supplied factory assembled and inserted into the Door & Frame extrusion (D Assembly).

STEP 9 Test Door Swing and Adjust

Step 9: With the Header in place test door swing and adjust from the Inner Striker Upright (B) and/or the Door/Pivot Upright Assembly (D/F) to obtain the proper clearance. Once the door is fully adjusted and working fix the pivot and striker Uprights by drilling mounting holes through the Channel Uprights into the Inner Uprights with #32 drill bit. Fix assembly using 3/8 x 6 pan head screws. After the vertical members are fixed attach Header (flat side) and Threshold to these uprights with 1/2 x 6 Panhead Screws.



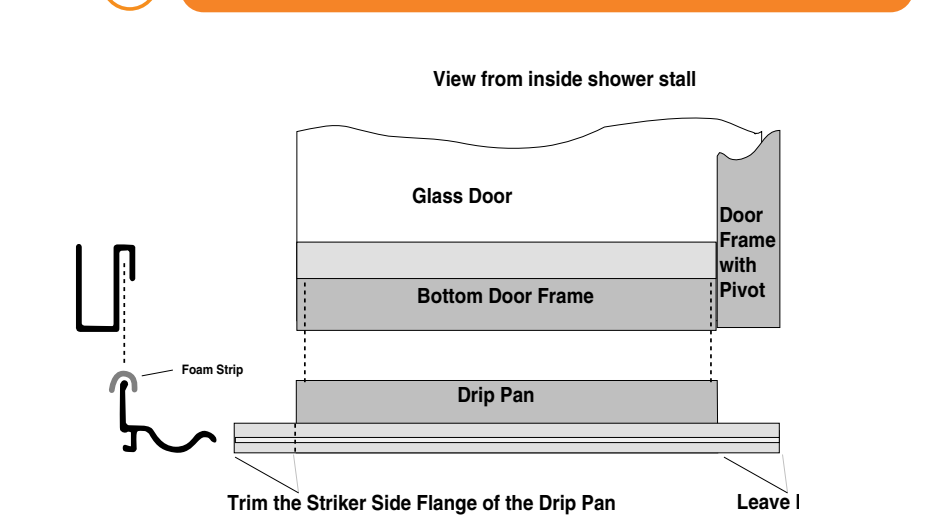
STEP 10 Measure and Cut Header and Threshold Caps



Step 10: Measure, cut and fit Header and Threshold Caps. (Long leg cap is Header Cap.) Snap into place. Silicone Caulk the bottom of Threshold Cap where it meets the uprights.

Horizontal Sidelight Glazing - Measure the larger rubber glazing gaskets (ZH) for the horizontal seal. Insert between both the Threshold and Header to seal sidelight glass.

STEP 11 Measure, Cut and Install the Drip Pan & Sweep



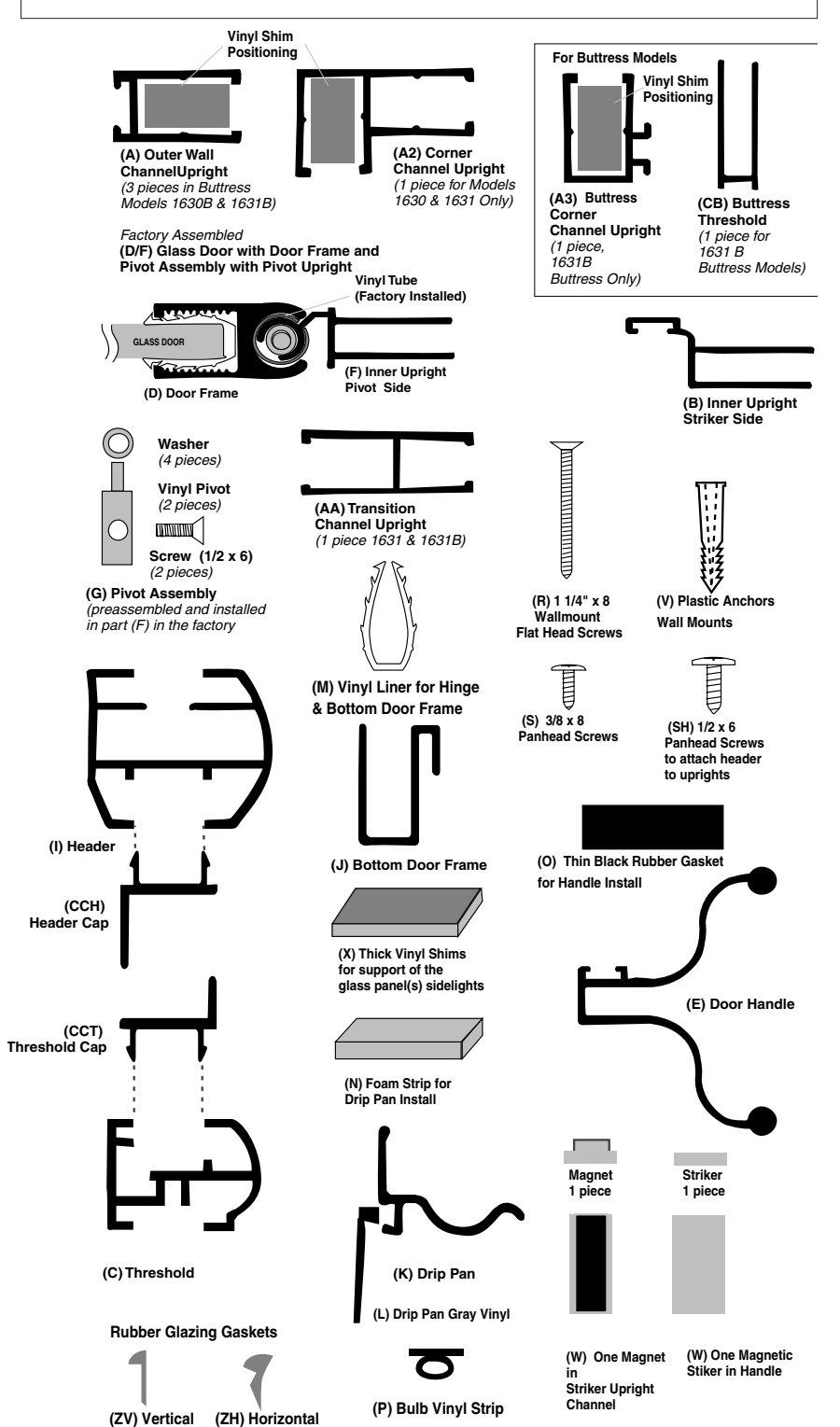
Step 11: Drip Pan is supplied for either door swing. Trim the extra length of Drip Pan (K) that would be on the striker side of the door when installed (as viewed from the inside of the stall). Leave Drip Pan long on the pivot side of door. File the cut smooth and round the cut edge. Cut small piece of Foam Strip (N) into 2 pieces and place over the top of the vertical leg of the drip pan. Slide Drip Pan Vinyl Sweep (L) into drip pan as shown. Slide drip pan into lip on Bottom Door Frame (J) section of door and adjust as needed to provide a slight horizontal tilt to the drip pan (with the low side toward the hinge side of the door) so that the water runs back into the shower. Run a bead of silicone on back edge of drip pan to secure drip pan to door.

STEP 12: FINAL CAULKING - On Completion of Assembly and Installation Additional Caulking:

Caution: Silicone entire inside of the unit where it meets the wall and the base to prevent water leakage.

Century Bathworks, Inc., Model CH 1631/CH1631B Installation Parts Inventory for Centec Pivot Shower Door

Please carefully unpack all parts for your unit and check that you have all the hardware as listed below. If any parts are missing or damaged, please refer to the item letter and description as shown below when contacting Century or your dealer for replacements.



Letter	Part Name	Quantity
(A)	Outer Wall Channel Upright	3
(A2)	Corner Channel Upright Non Buttress Model 1631	1
(A3)	Buttress Corner Channel Upright Models 1631B Use with Upright A	1
(AA)	Transition Channel	1
(B)	Striker Side Inner Upright	1
(C)	Threshold	1
(CB)	Buttress Threshold (Model 1631B)	1
(CCH)	Header Cap	1
(CCT)	Threshold Cap	1
(I)	Header	1
(D/F)	Factory Installed Door /Frame & Pivot Upright (D) Door Frame Pivot Side (1) (F) Pivot Side Inner Upright (1)	1
(G)	Pivot Assembly (Factory Installed) Vinyl Pivots (2), Washers (4), Screws (2) (Q) Vinyl Tube for Pivot (1)	1
(J)	Bottom Door Frame	1
(K)	Drip Pan	1
(L)	Drip Pan Vinyl Sweep	1
(M)	Vinyl Liner for Door Frame	1
(N)	Foam Strip for Drip Pan	1
(O)	Black Rubber Gasket (Handle)	1
(P)	Bulb Vinyl	1
(R)	1 1/4 x 8 Flathead Screws	8
(S)	3/8 x 8 Panhead Screws	8
(SH)	1/2 x 6 Panhead Screws (for Header)	7
(V)	Plastic Wall mount Anchors	8
(W)	Magnet/Striker for Handle and Frame One Magnet and One Magnetic Striker	2
(X)	Thick Vinyl Shim	4
(ZV)	Glazing Gaskets for Vertical Sides Glass	.roll
(ZH)	Glazing Gaskets for Horizontal Sides Glass	.roll

Tools required for this job:
- Tape measure
- 3/16" carbide tipped masonry drill bit
- #32 drill bit
- Drill
- Level
- Flat head screwdriver
- Phillips head screwdriver
- Hacksaw
- File for removal of burrs
- Silicone caulk (clear provided)
- Caulking gun (optional)
- Mineral spirits or turpentine

Also recommended:
- Low tack or masking tape for holding parts in place for preassembly
- Center punch or awl for marking parts
- Pencil