

CENTURY BATHWORKS, INC.

Links System Installation Instructions

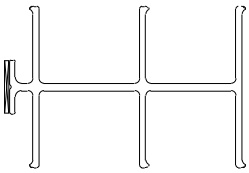
IMPORTANT:

Please read all instructions prior to starting installation. To insure complete customer satisfaction, installation by a professional installer is recommended.



PARTS LIST

Links Bracket (1)
with 2-Sided Tape
for Decorative Strip



Links Wall Bracket -
surface mount kits only (1)



Decorative
strip (1)



SURFACE MOUNT SIDE KITS

When surface mounting cabinets using the links system, a links system mirror side kit is required for each cabinet.

Cabinet Size	Part Number
24" High x 4" Wide	CB-LSK-2404
30" High x 4" Wide	CB-LSK-3004
30" High x 6" Wide	CB-LSK-3006
40" High x 4" Wide	CB-LSK-4004
40" High x 6" Wide	CB-LSK-4006



If you have installation questions, please call our customer service representatives at 800-524-2578
Monday - Friday from 8am to 4:30pm EST

Links System Installation - Recessed Mounting

1. Take care in determining correct opening size (Fig 1). Use the following rough opening calculations:
 - a. Rough opening width = cabinet width minus $3/4"$.
 - b. Rough opening height for links system = cabinet 1 height + cabinet 2 height + $1/8"$ = rough opening.
Example: 30" cabinet + 40" cabinet = 70" + $1/8"$ = 70- $1/8"$ rough opening height.
2. **IMPORTANT:** Make sure opening is PLUMB and LEVEL (Fig 1)! A square and plumb installation insures proper operation of door.
3. **IMPORTANT:** Locate medicine cabinet at correct height. Make sure there is at least 1" of clearance above any obstructions.
4. Carefully place bottom cabinet on blanket or carpet on the floor. Make sure hinges are on correct side of opening for left hand or right hand operation. Snap the links bracket into place on top of bottom cabinet as shown. Bracket should "snap" and be fit securely (Fig 2).
5. Place top cabinet on top of bracket and "snap" in place (Fig 2). Cabinets should be securely attached to one another.
6. Steps 6a to 6e are for semi-recess of 6" cabinet utilizing 2" mirror side kits only. If fully recessing, skip to step 7.

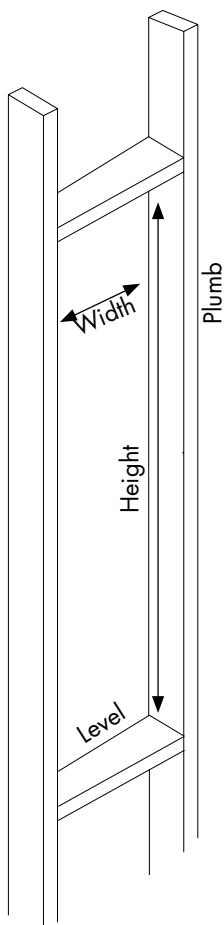


FIG 1

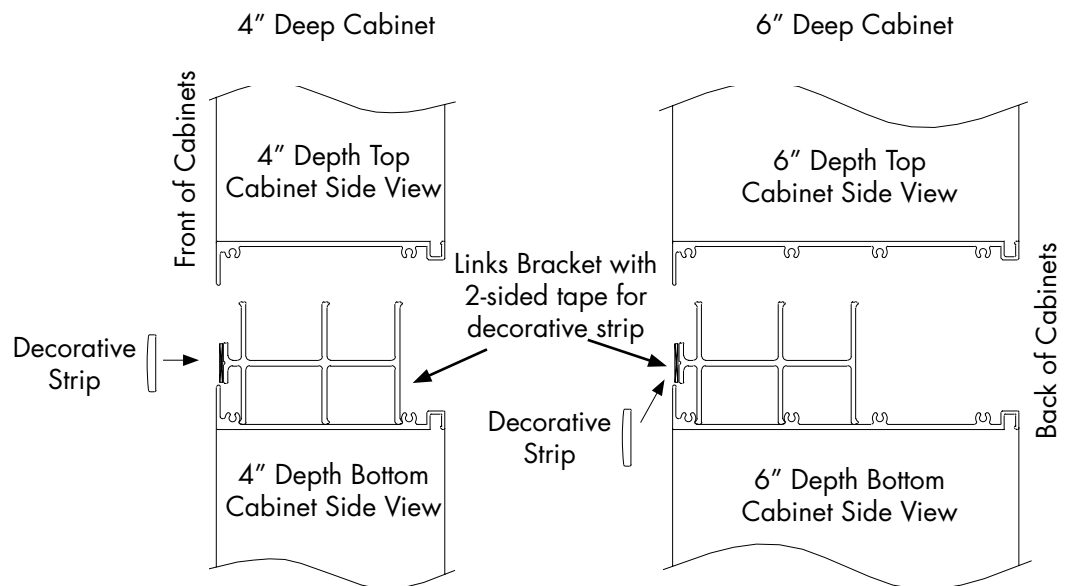


FIG 2

- 6a. Using 10-32 x 1/2" machine screws, attach side kit mounting brackets. (Fig 11)
 - 6b. **IMPORTANT:** Thoroughly clean back of side kit mirror with alcohol pad.
 - 6c. Place 2" x 2" foam pads 1" from each end of mirror strip. (Fig 12)
 - 6d. Begin with bottom cabinet. Peel tape off brackets and place side mirror so it is even with front of cabinet flange and flush with the **bottom** of the cabinet. Repeat for opposite side. (Fig 13)
 - 6e. Place piece of folded paper on top of lower side mirror. Peel tape off brackets and place side mirror even with front of cabinet flange, and flush with the **top** of the cabinet and paper at top of bottom cabinet side mirror. Remove paper from between side mirrors. Repeat for opposite side. (Fig 14)
7. Place cabinet boxes into rough opening (Fig 3). On fully recessed applications, make sure cabinet flange covers rough opening evenly all around. Shim as needed. On semi-recess applications, BE CAREFUL to not hit edges of installed side mirrors. Mirror edges should meet wall surface.
 8. Insert four (4) #10 x 1 1/2" wood screws into four locations provided in each cabinet for recessed installation (Fig 4). Be careful not to overtighten. Make sure cabinets are centered in rough opening.
 9. Peel paper from double sided tape on links bracket. Clean back side of Decorative Strip with alcohol pad. Attach Decorative Strip so ends are even with edges of cabinet.
 10. Continue installation instructions that came with your cabinets on page 7, "Door Installation".

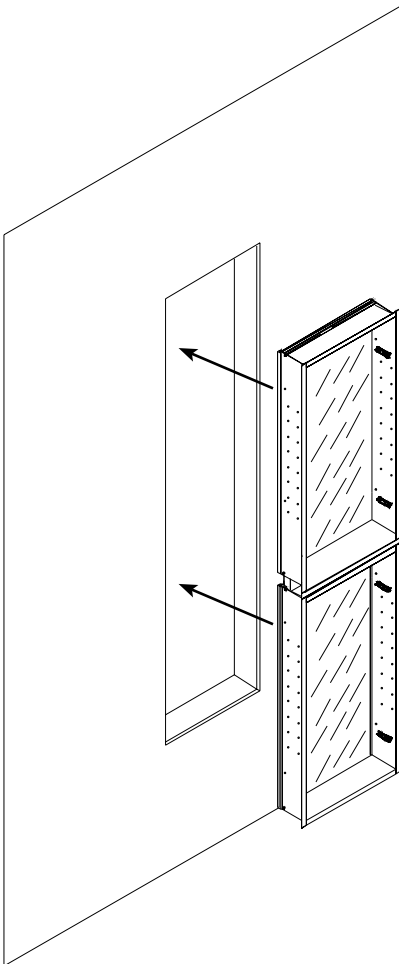


FIG 3

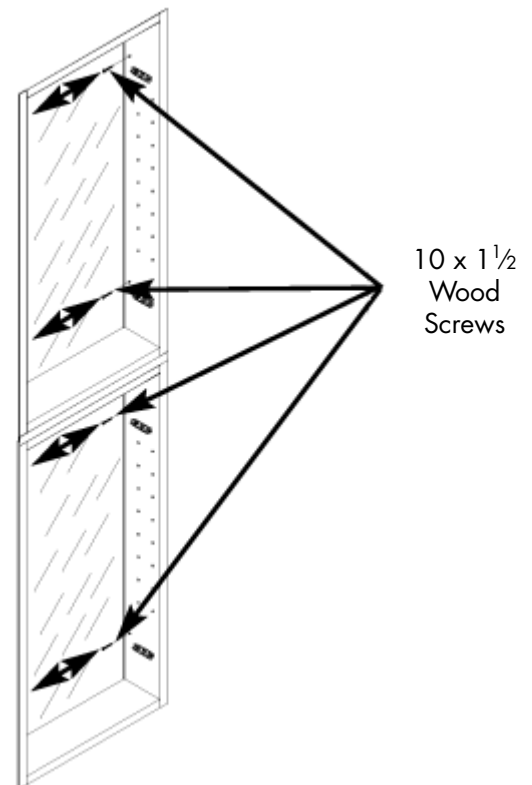


FIG 4

Links System Installation - Surface Mounting

1. Follow "Surface Mount Medicine Cabinet Installation" instructions, page 4, #'s 1-5, that came with your cabinets to mount the bottom cabinet at the correct height considering the height of both cabinets combined. Unit height equals the sum of both cabinet heights plus $\frac{3}{4}$ ". Example: 40" high cabinet + 30" high cabinet + $\frac{3}{4}$ " = 70 $\frac{3}{4}$ "
2. With bottom cabinet sitting securely on bottom mounting bracket, insert Links Wall Bracket included in this kit in top channel. (Fig 5)
3. Mark hole locations on Links Wall Bracket. When determining location, it is recommended that at least one mounting screw be located at a stud.
4. Remove cabinet. Drill $\frac{7}{32}$ " holes in correct locations on Wall Bracket. Drill 8mm hole in wall if needed for anchor, and insert anchor in hole.
5. Remount cabinet and attach with #10 x 1 $\frac{1}{2}$ " wood screws (Fig 6).
6. Insert surface mount z-clips in top channel of top cabinet as shown (Fig 7).
7. Snap Links Bracket into top of bottom cabinet. Snap top cabinet in place on Links Wall Bracket and Links Bracket making sure that bracket flange sits inside of channel and links bracket snaps securely to bottom of top cabinet (Fig 8). Cabinets should be securely attached to one another.
8. Mark hole locations of z-clips. When determining location, it is recommended that at least one z-clip be located at a stud.

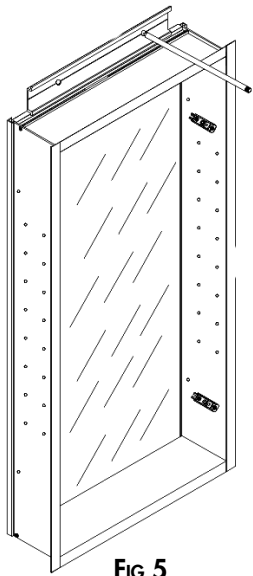


FIG 5

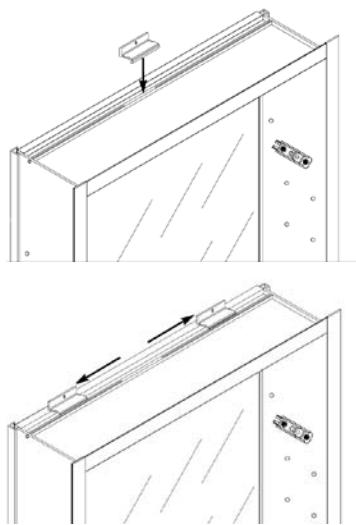


FIG 7

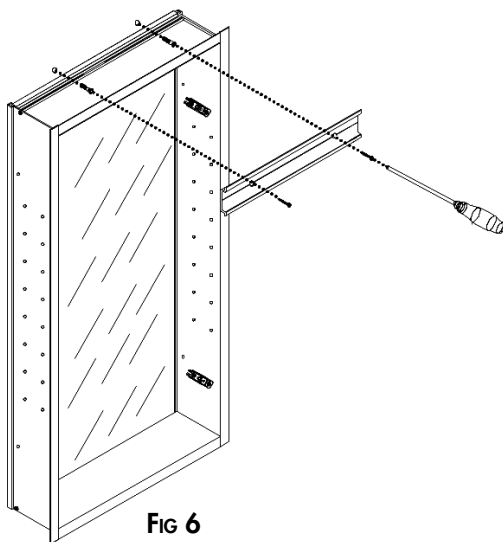


FIG 6

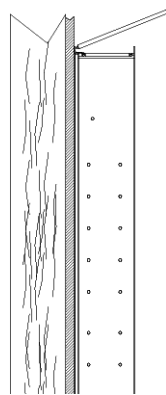


FIG 9

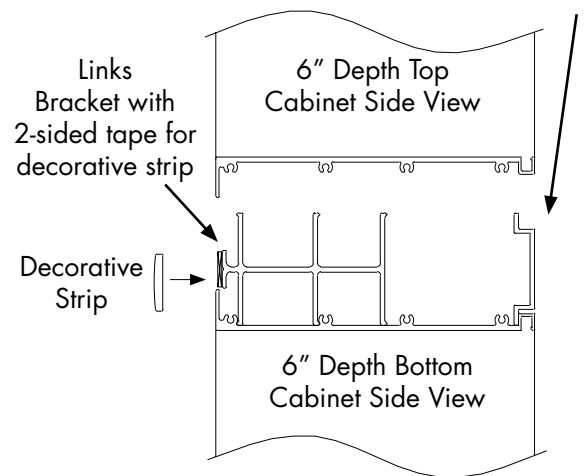
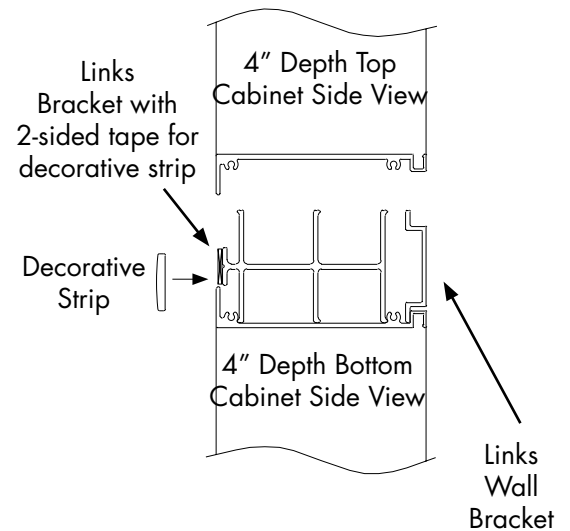


FIG 8

9. If anchor is needed, slide z-clip aside and drill 8mm hole, and insert anchor in hole.
10. Attach z-clips with #10 x 1½" wood screws (Fig 10). Be careful not to damage or scratch the top flange.
11. Using 10-32 x ½" machine screws, attach side kit mounting brackets (Fig 11).
12. Peel paper from double sided tape on links bracket. Attach Decorative Strip so ends are even with edges of cabinets.
13. IMPORTANT: Thoroughly clean back of ALL side kit mirrors with alcohol pad.
14. Place 2" x 2" foam pads 1" from each end of mirror strip (Fig 12).
15. Begin with bottom cabinet. Peel tape off brackets and place side mirror as shown (Fig 13). Mirror should be even with front of cabinet flange and flush with the **bottom** of the cabinet. Repeat for opposite side.
16. Place piece of folded paper on top of lower side mirror (Fig 14). Peel tape off brackets and place side mirror even with front of cabinet flange, and flush with the **top** of the cabinet and paper at top of bottom cabinet side mirror. Remove paper from between side mirrors (Fig 15). Repeat for opposite side.
17. Continue installation instructions that came with your cabinets on page 7, "Door Installation".

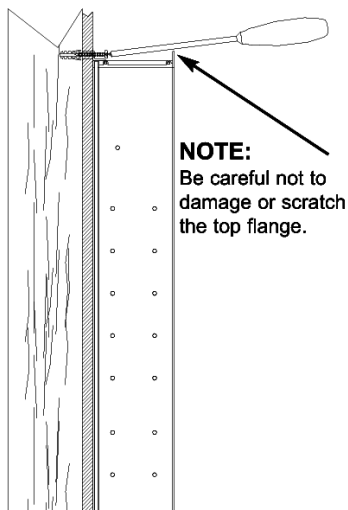


FIG 10

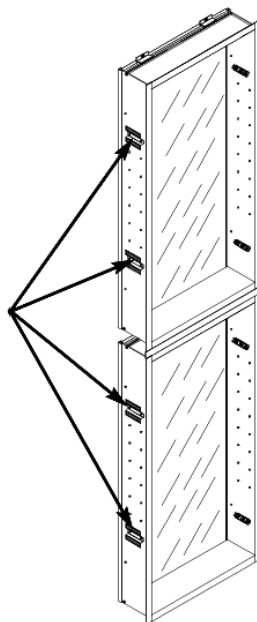


FIG 11

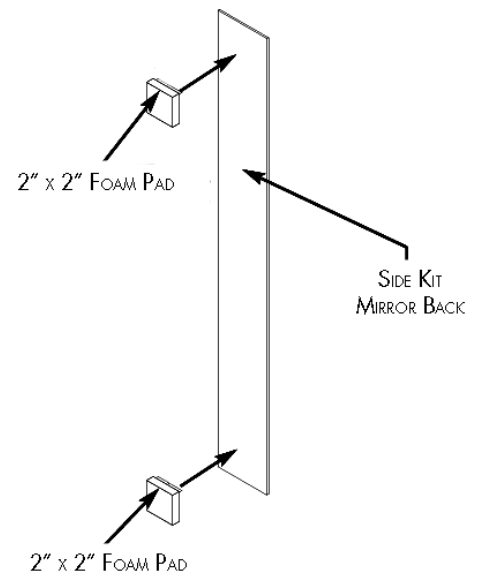


FIG 12

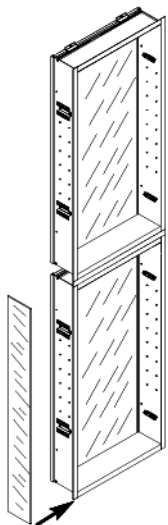


FIG 13

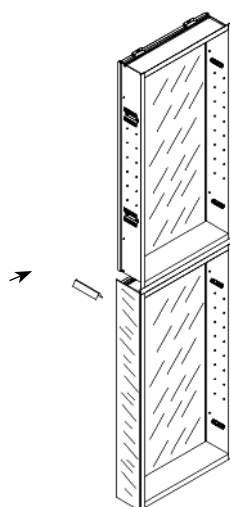


FIG 14

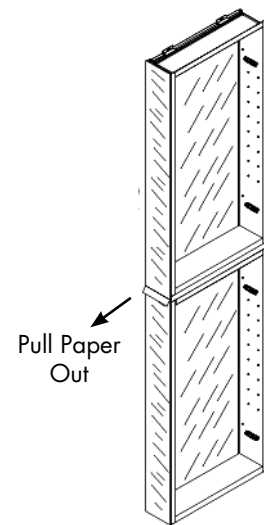


FIG 15



Care and Cleaning

Ammonia or vinegar-based cleaners can damage mirrors and should never be used to clean any part of your cabinets. A 50/50 solution of water and isopropyl alcohol is recommended for cleaning the mirrors. A mild detergent can be used on other surfaces.

Limited One Year Warranty

Century warrants our Medicine Cabinets to be free of defects in workmanship for a period of one (1) year. Liability on any claim of defective design and workmanship is limited to the replacement of defective material only. Century is not responsible for labor or other installation costs for the repair or replacement of defective merchandise.

Damage attributed to abuse, misuse, careless handling, alteration, improper installation or maintenance, abnormal chemical cleaning, abrasives, discoloration or stains due to improper water chemistry, or accidental damages are not covered by this warranty.