

Please Fax to 973-785-0777

• MEASURE THE EXACT FINISHED OPENING. Century will provide deductions.

• Note if walls or sill dimensions vary

CUSTOMER _____ CONTACT NAME _____ DATE _____

PHONE # _____ FAX # _____ PO # _____

Circle enclosure you are ordering: Glasstec Brassline Centec Lucette Crest

Model # _____

Metal Finish _____

Glass _____

Height: Standard _____

Custom _____ Full _____

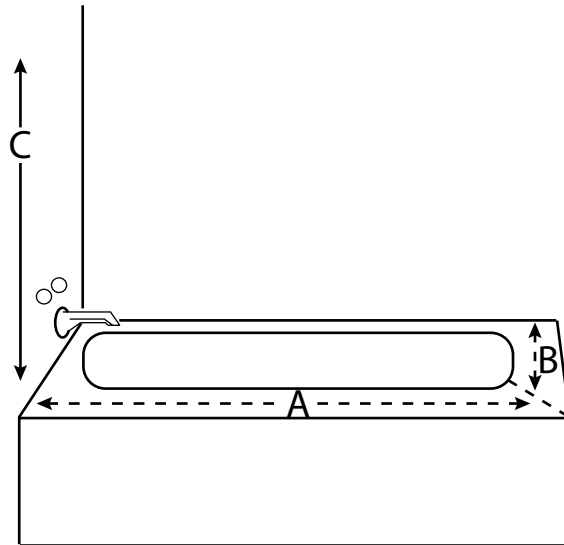
Hardware Upgrade _____

Special Instructions _____

Unit as Shown Reverse

Shower Head: Left Right

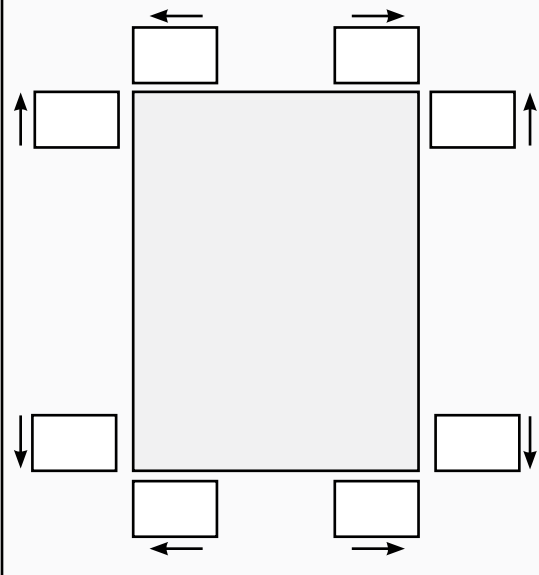
Corner Tub Enclosure



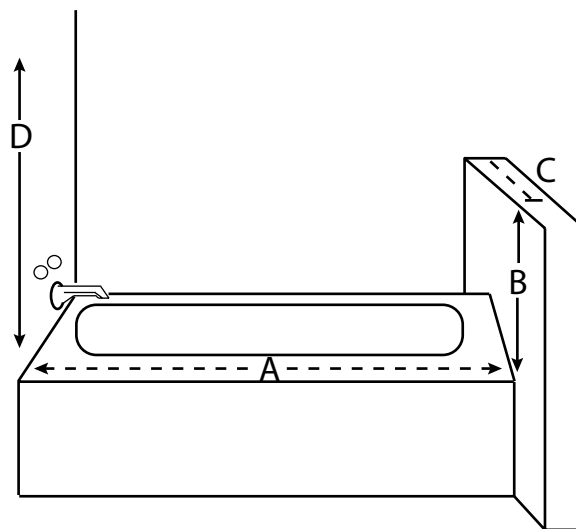
A
B
C

Use Centerline Dimension for All Enclosures

INDICATE IF BASE IS OUT OF LEVEL OR WALLS ARE OUT OF PLUMB



Tub Enclosure w/ Butress Return



A
B
Butress Height
C
Return Panel
D

Use Centerline Dimension for All Enclosures

Internal Use Only:

Quoted List \$ _____ Quoted By: _____

Customer Signature - Required to Confirm Dimensions Submitted