

Century Bathworks, Inc.

Lucette Shower Pivot Door

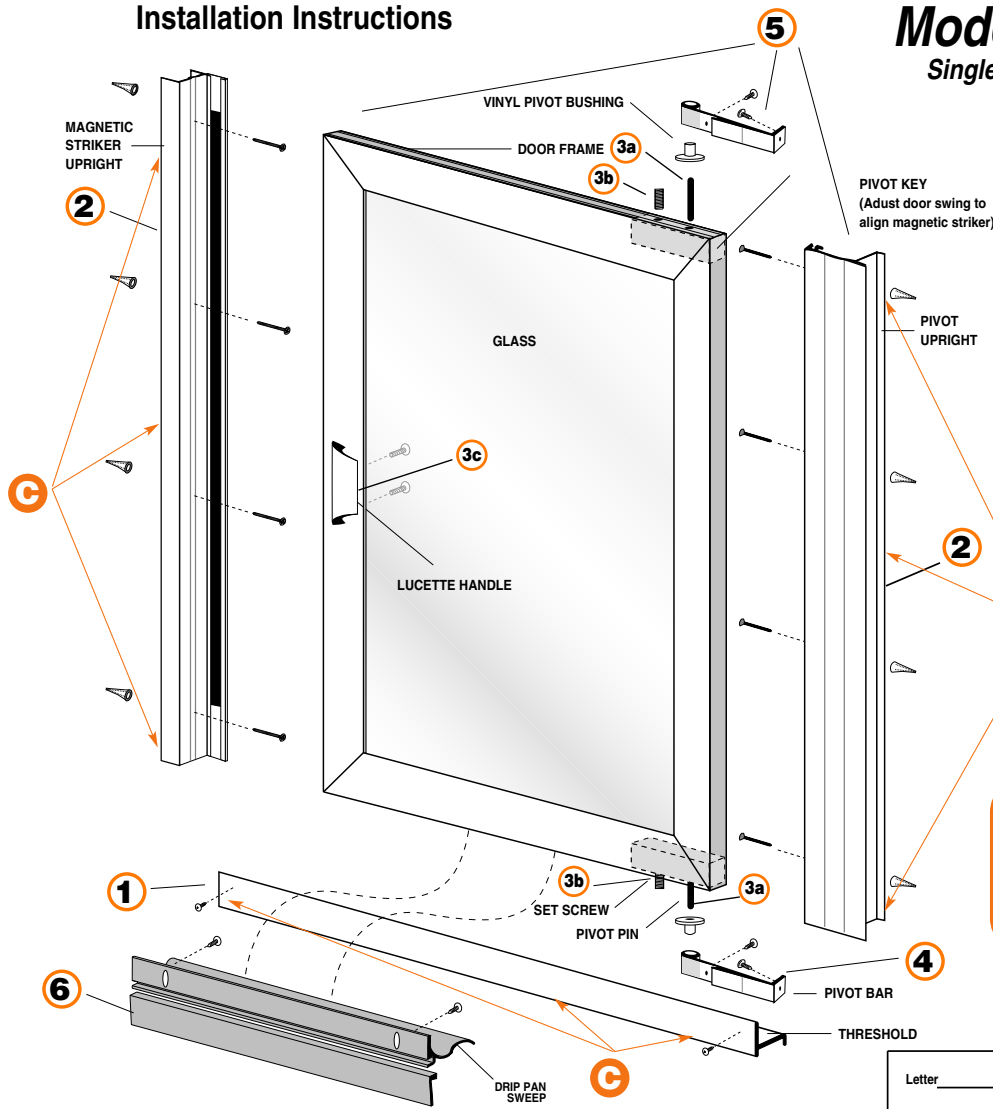
Installation Instructions



IMPORTANT:
To insure complete customer satisfaction Century Bathworks recommends installation by a professional installer.

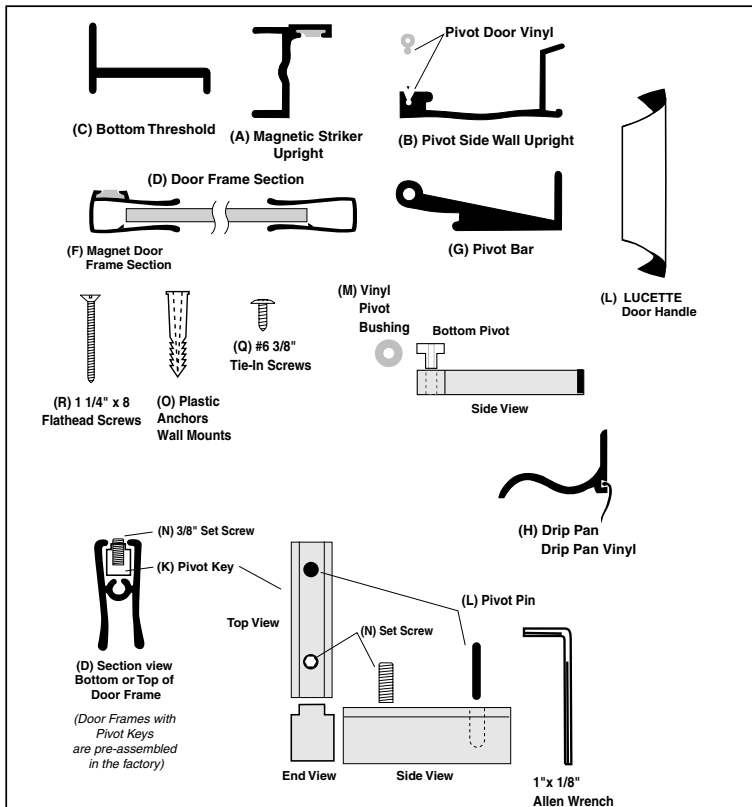
Model P-64 / P-70

Single Door with Pivot Hinge



C
IMPORTANT:
Caulk here during installation as noted

**DOOR IS UNIVERSAL
PIVOT CAN BE ON LEFT
OR RIGHT SIDE**



Letter	Part Name	Quantity
(A)	Magnetic Striker Upright	.1
	<i>with Magnetic Closer factory installed</i>	
(B)	Pivot Side Wall Upright	.1
	<i>with Pivot Door Vinyl factory installed</i>	
(C)	Threshold	.1
(D)	Pivot Door Factory Assembled	.1
	<i>Assembled with (F) Magnetic Door Frame (1) with Magnetic Closer factory installed, (2) Pivot Keys factory installed in top & bottom of Door Frame</i>	
(G)	Pivot Bars	.2
(K)	Pivot Keys with 3/8" Set Screws	.2
(L)	Pivot Pins (installed)	.2
(M)	Vinyl Pivot Bushings	.2
(H)	Drip Pan with Vinyl Sweep	.6
(P)	1 1/4" x 8 Flathead Machine Screws	.8
(V)	Plastic Wall Anchors	.8
(Q)	3/8" x 6 Tie-In Screws	.8
(N)	3/8" Set Screws	.2
Handles:		
	Lucette Handle Kit <i>includes parts and instructions</i>	.1
	<i>Handles (2); 3/16" Set Screws (2), 1" Fillister Head Screws (2), 1/16" Allen Wrench (1), Plastic Spacers (2)</i>	

- Tools required for this job:**
- Tape measure
 - 3/16" carbide tipped masonry drill bit
 - Drill
 - #32 drill bit
 - Level
 - Flat head screwdriver
 - Phillips head screwdriver
 - Hacksaw
 - File for removal of burrs
- Silicone caulk
 - Caulking gun
 - Mineral spirits or turpentine
- Also recommended:**
- Low tack or masking tape for holding parts in place for preassembly
 - Pencil

© 2005 Century Bathworks, Inc.
250 Lackawanna Ave.
West Paterson, NJ 07424

TOLL FREE 1 800-524-2578

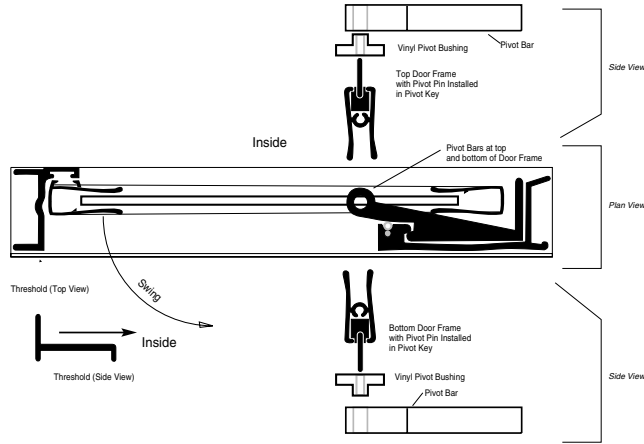
Century Bathworks, Inc., Lucette Shower Pivot Door

Please carefully unpack all parts for your unit and check that you have all the hardware as listed on back of this sheet of paper. If any parts are missing or damaged, please refer to the item letter and description as shown below when contacting Century or your dealer for replacements.

CAUTION: When drilling through tile, carefully break through glazed surface only with sharp tool or center punch, then drill slowly with 3/16" carbide tipped drill bit.

NOTICE: Please wear safety glasses whenever drilling or cutting tile or metal parts.

IMPORTANT NOTE: Wall Uprights must be installed level and plumb. Do not follow grout lines. Glass sits 3/8" into door frame. Be careful not to drill into glass.



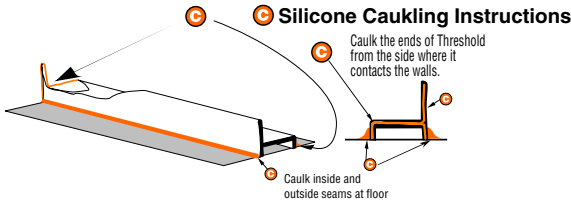
STEP 1 Measure and cut Threshold

Installation of Threshold

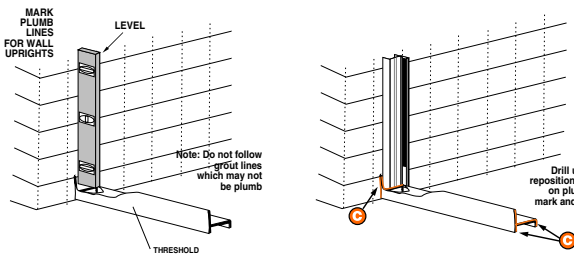
These installation instructions are based on the typical requirements for an enclosure with the usual tile and wall conditions. All parts are to the dimensions that you have submitted. The out-of-plumb & out-of-level variable for this unit is a maximum of 1/4". Filler is recommended for any out-of-plumb and/or out-of-level gap greater than 1/4".

Measure shower door opening at base and cut Threshold (C) to fit snugly. Place Threshold on base and check fit. The high lip of threshold must face to the outside of shower; this permits water to drain back into the shower. Silicone Caulk bottom and ends of Threshold and place on base.

CAULK Threshold at wall before installing uprights



STEP 2 Mark & drill holes for Uprights



Caulk & Install Uprights

After the Threshold (C) is installed, place the Magnetic Striker Upright (A) and the Pivot Upright (B) against wall and rest it on Threshold. Determine the swing direction of the door before installing uprights. You must align both Uprights vertically plumb and parallel. When the wall uprights are plumb (use a level) mark the holes on wall. When setting the position, wall uprights must rest on the threshold.

Remove Uprights and drill holes in the wall with 3/16" carbide-tipped masonry bit. Insert plastic wall anchors into holes and lightly tap them flush to the tile; this will help eliminate cracking the tile when the screws expand the anchors. Caulk threshold / tile seam and the base of the Wall Uprights where they meet the threshold before screw mounting these uprights to the wall. Screw Wall Uprights into position with your predrilled holes and mount to wall with 1 1/4" x 8 flathead screw (P).

STEP 3 Pre-Assemble Door & Handles

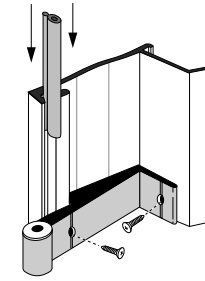
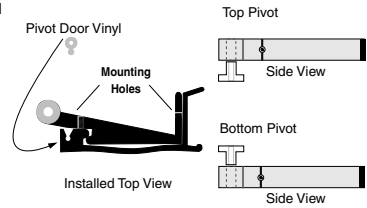
- a) Install Set Screw (N) into pivot key. Do not tighten. Set Screw allows for the final adjustment of the door swing for proper alignment with the Magnetic Upright (A).
- b) **Handles:** Install handles to door.

Lucette Units: See instruction sheet in handle package.

IMPORTANT:
Before starting, please read instructions carefully and thoroughly; then proceed step by step.

STEP 4 Install Pivot Bars into Pivot Wall Upright

- a) Remove Pivot Door Vinyl from the Pivot Upright (B) to be able to install Pivot Bars (G).
- b) Place Pivot Bars on a flat surface in this position as shown and tap Vinyl Bushing into Pivot Holes. Please note that the Pivot Bar installed on the bottom of upright will have Bushing facing up and Pivot Bar on Top of Upright will have Bushing facing down.



- c) Insert and align Bottom Pivot Bar (G) flush with bottom of the Pivot Side Wall Upright (B) resting on the Threshold.

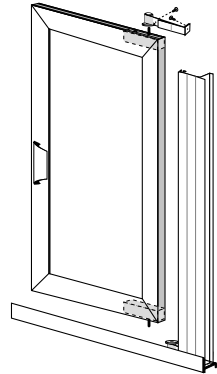
Mark & drill mounting holes with #32 drill bit and mount the Bottom Pivot Bar with 3/8" screws (Q) to the Pivot Side Wall Upright (B).

- d) Insert and align Top Pivot Bar (G) flush with top of the Pivot side Wall Upright (B) and mark the bottom of Pivot Bar to be able to cut the Vinyl Seal so that it fits between the Top & Bottom Pivot Bars. Re-install Vinyl and cut to mark.

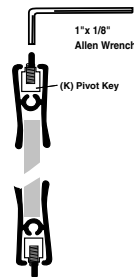
(NOTE: Pivot Door Vinyl Seal is to fit between Pivot Bars).

STEP 5 Install Door & Top Pivot Bar

Place top Pivot Bar on Pivot Pin in top of door. Place door with bottom Pivot Pin into the installed Bottom Pivot Bar. Hold door in position and lift Top Pivot Bar and slide into channel in Wall Upright down onto top Pivot Pin. Using #32 drill bit, drill holes for top Pivot Bar in Wall Upright. Align Top Pivot Bar with holes and screw into place using 3/8" x 6 Mounting Screws (Q).

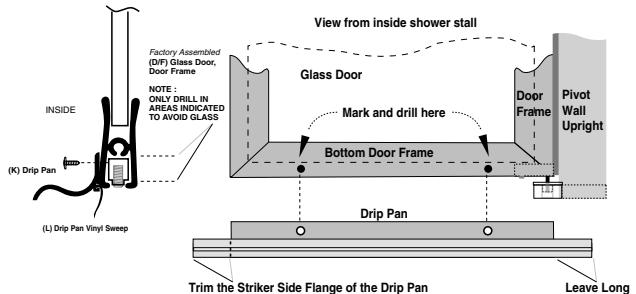


Adjust Door Swing



The Pivot Key allows you to adjust fit of the door by sliding the door left or right so magnet frame door section and magnet striker align. You will see that the magnet action takes hold when the magnet frame section of door engages the magnet striker properly. Use the allen wrench supplied to tighten the 3/8" set screws (N) in the top and bottom pivot keys to lock door into proper pivot/swing position.

STEP 6 Install Drip Pan



Step 6: Drip Pan is supplied for either door swing. Trim the extra length of Drip Pan (H) that would be on the striker side of the door when installed (as viewed from the inside of the stall). Leave Drip Pan long on the hinge side of door. File the cut smooth and round the cut edge. Adjust position as needed to provide a slight horizontal tilt to the drip pan (with the low side toward the hinge side of the door) so that the water runs back into the shower. Use pre-drilled holes in Drip Pan for installation. Align bottom edge of the drip pan with bottom edge of the door and drill holes to mount drip pan. (Be sure to avoid drilling into the glass in the door.) Slide Drip Pan Vinyl Sweep into drip pan as shown. Use two screws (Q) to affix drip pan to door. Affix sweep with a small amount of silicone caulk.

STEP 7 Final Caulking

Caulking: To prevent leakage, caulk along both Uprights inside of shower stall. Caulk Threshold as seen in the image below.