

Lucette or Crest Shower Door

Installation Instructions

Model L-70 or C-70 SINGLE DOOR

with alternate instructions for L-71, Steam and Handicap/Wheelchair accessible Models

C
IMPORTANT:
Caulk here during installation as noted

IMPORTANT:
To insure complete customer satisfaction Century Bathworks, Inc. recommends installation by a professional installer.

INSTALLATION STEPS:

See Enlarged View of each Step on other side

Step 1: Measure, cut and fit Threshold.

Step 2: Place inner wall channels on top of Threshold and level, drill and install Inner Wall Channel Uprights to wall. After drilling mounting holes for uprights apply Silicone Caulk at each end of Threshold at the wall before installing uprights.

Step 3: Install Outer Striker Upright over wall mounted inner upright. (Do not screw into place until after final tests, step 9.)

Step 4: Determine the swing direction of the door (left or right). Install Handle on door frame of factory pre-assembled door. Door is pre-drilled for handle installation. (NOTE: Any installation requiring an inner swing door is a special order and cannot be assembled from this model)

Step 5: Cut, fit and install Header. (Do not fix with screws until after step 7.)

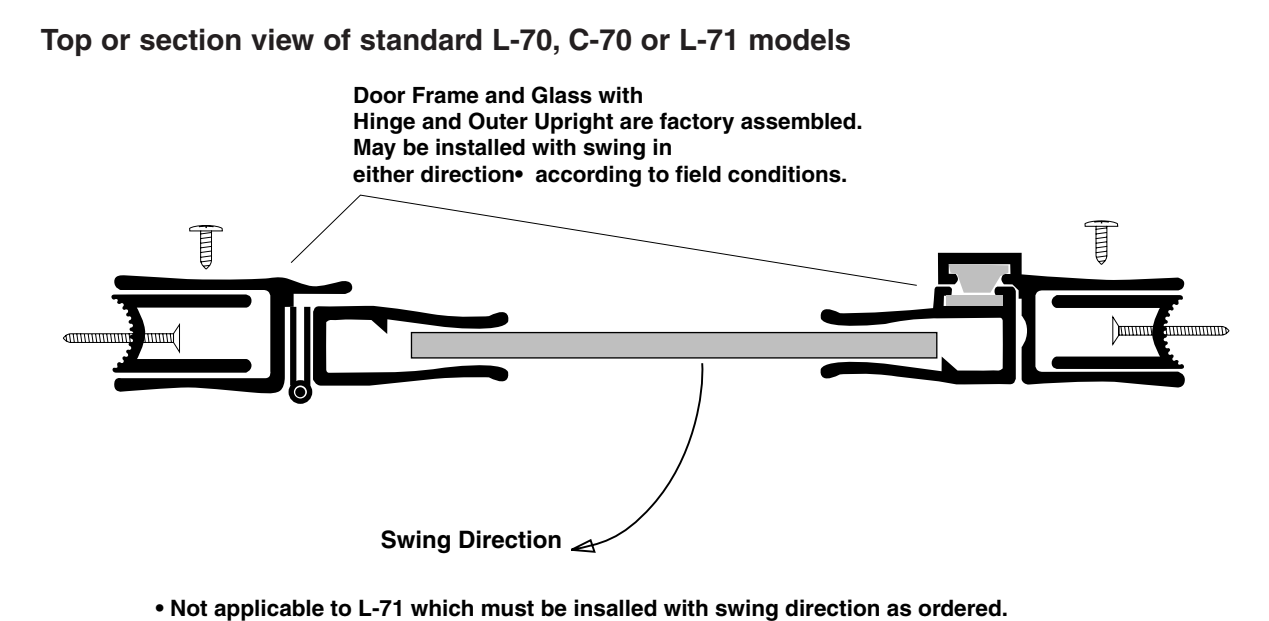
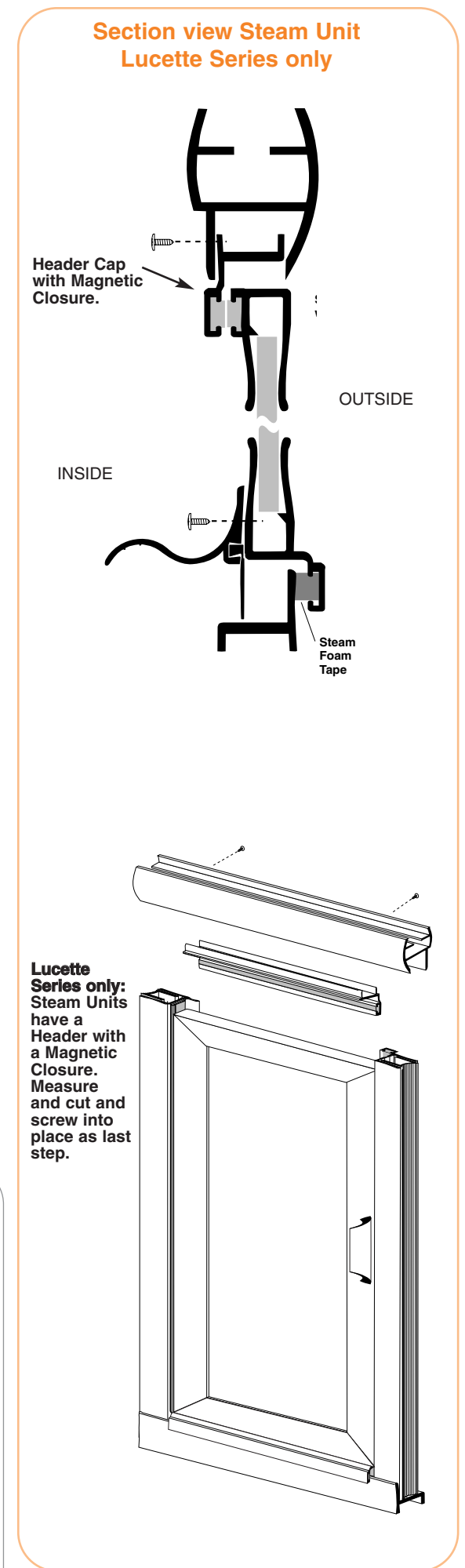
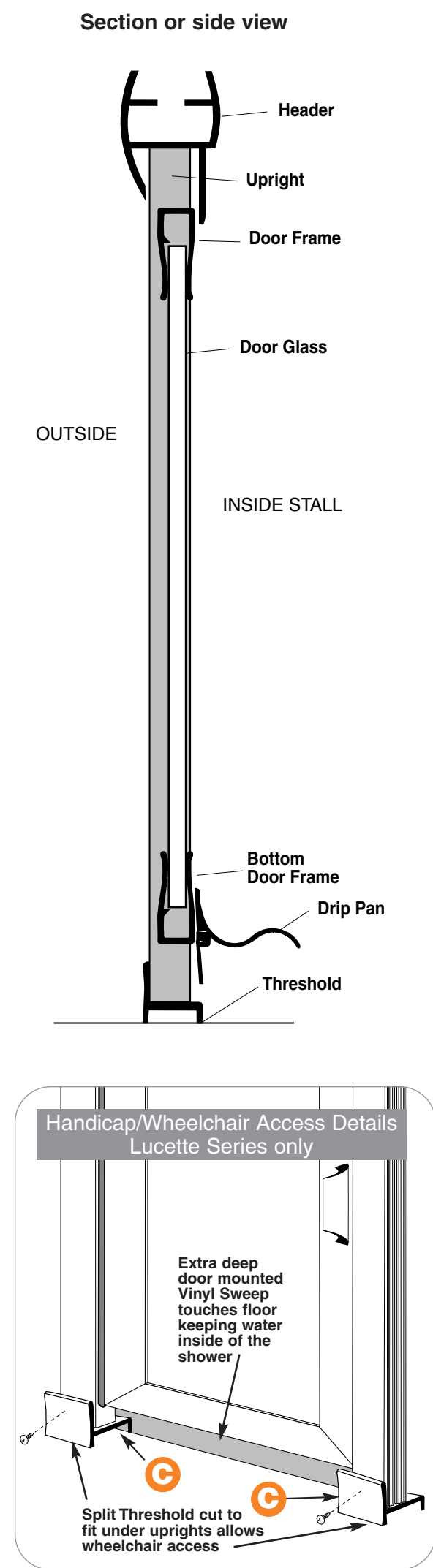
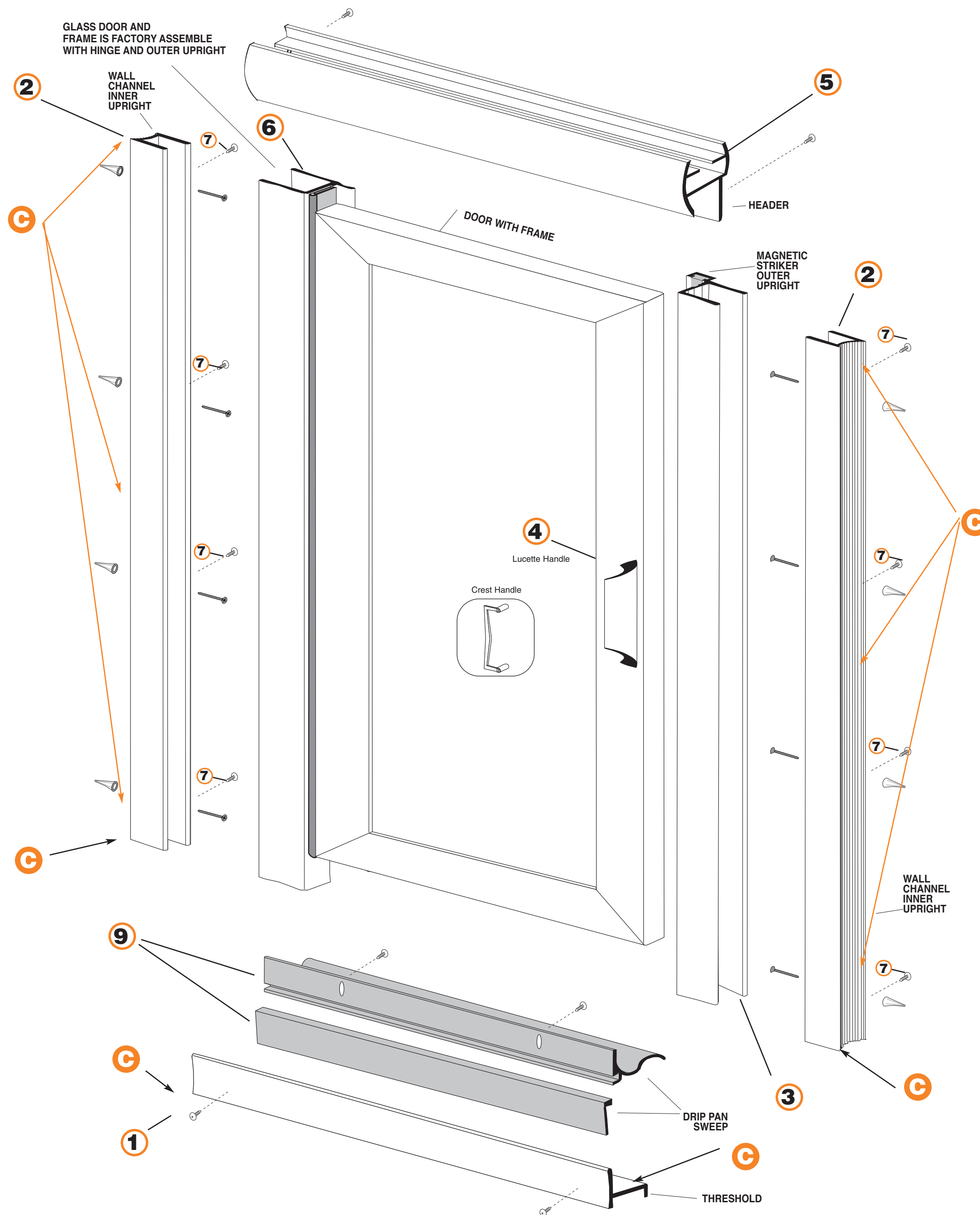
Step 6: Install Door as assembled with hinge with by sliding Upright over the Inner Upright installed on the wall. Be sure the door swings out. (Do not screw into place until after final tests, step 7.)

Step 7: Test door. Adjust Outer uprights if necessary. Drill and screw Uprights, Header and Threshold.

Step 8: Cut, file smooth and fit Drip Pan onto lower Door Frame. (NOTE: see special instructions and diagrams to avoid drilling into glass within the door frame. Install Drip Pan with screws.)

Step 9: FINAL CAULKING -- After installation is complete be sure to caulk all threshold and wall mounts from the inside of the unit where they contact walls.

Tools Required: Ruler, Level, Phillips Head Screwdriver, Flat Head Screwdriver, Hack Saw, Electric Drill, 3/16" Carbide Tipped Masonry Drill Bit, No. 32 Metal Cutting Drill Bit, file.



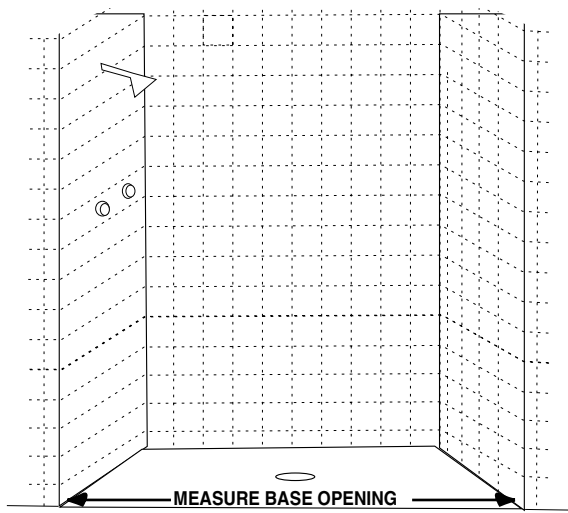
Please carefully unpack all parts for your unit and check that you have all the hardware as listed on back. If any parts are missing or damaged, please refer to the item letter and description as shown below when contacting Century or your dealer for replacements.

CAUTION: When drilling through tile, carefully break through glazed surface only with sharp tool or center punch, then drill slowly with 3/16" carbide tipped drill.

NOTICE: Please wear safety glasses whenever drilling or cutting tile or metal parts.

IMPORTANT NOTE: Wall Uprights must be installed level and plumb. Do not follow grout lines.

STEP 1 Check & Fit Threshold to opening. Caulk Ends.



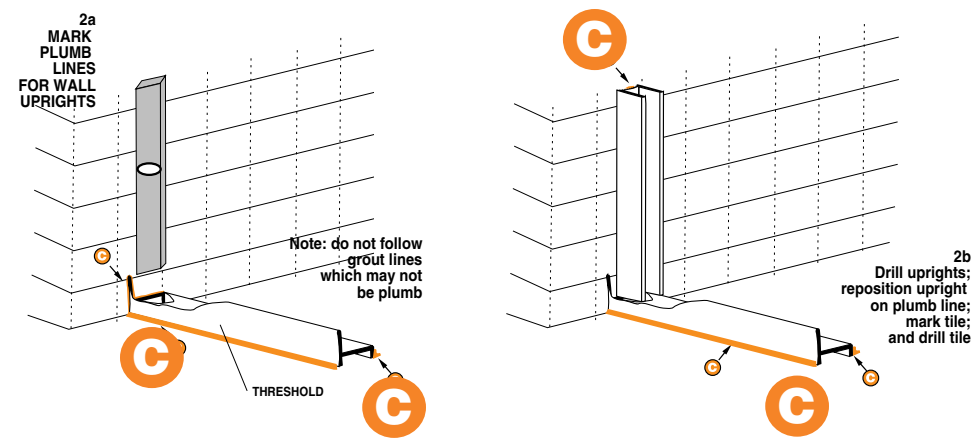
Step 1: Installation of Threshold

These installation instructions are based on the typical requirements for an enclosure with the usual tile and wall conditions. All parts are to the dimensions that you have submitted. The out of plumb variable for this unit is 1/4" maximum for out of plumb and out of level.

Measure shower door opening at base and cut Threshold (C) to fit snugly. Check fit. After drilling mounting holes for uprights Silicone Caulk bottom and ends of Threshold and place on base.

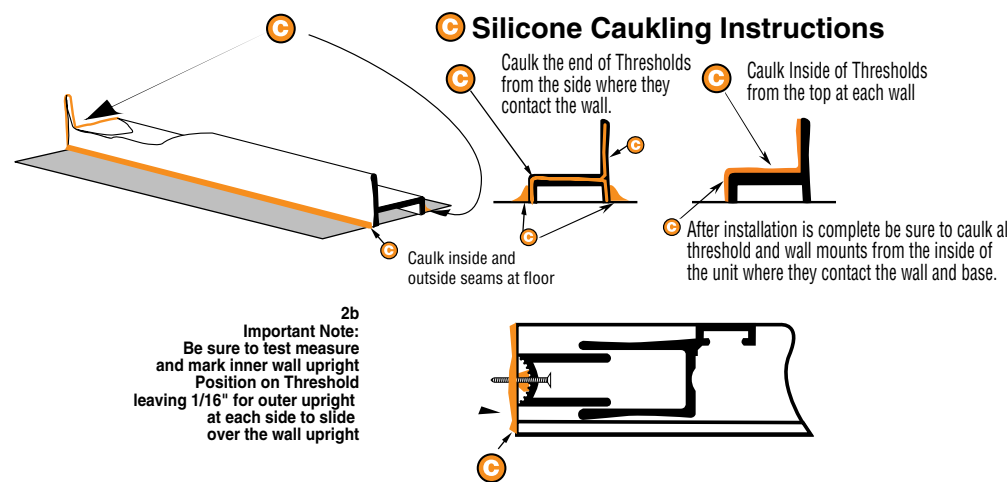
Caution: The low shelf side of threshold must face to the inside of shower; this permits water to drain back into the shower.

STEP 2 Measure, mark and drill uprights.



Caulk Uprights

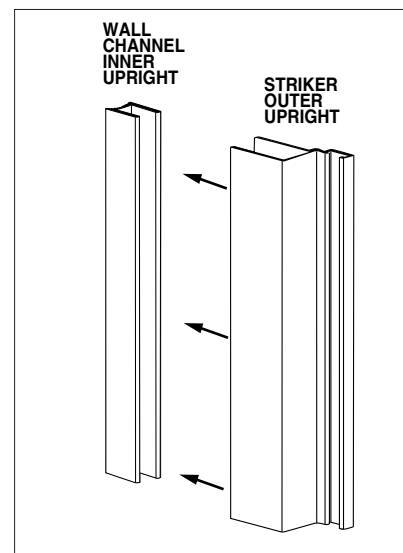
CAULK Threshold at wall before installing uprights



Step 2: Outer Wall Mounts: After the Threshold (C) is installed, place the Outer Wall Channel Uprights (A) (left and right) against wall resting on Threshold. You must align both Uprights vertically plumb and parallel. When the wall is plumb (use a level) mark the holes on wall. When setting the position, rest uprights on the Threshold.

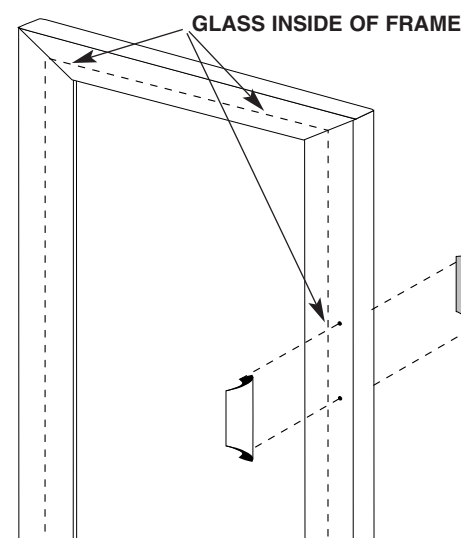
Remove Uprights and drill holes in the wall with 3/16" carbide-tipped masonry bit. Insert plastic wall anchors into holes. Lightly tap them flush to the tile; this will help eliminate cracking the tile when screws expand the anchors. Caulk threshold / tile seam and the base of the Inner Wall Channel Uprights where they meet the threshold before screw mounting these upright to the wall. Screw Inner Wall Channel Uprights into position with your predrilled holes and mount to wall with 1 1/4" x 8 panhead screw (M).

STEP 3 Insert Striker Outer Upright



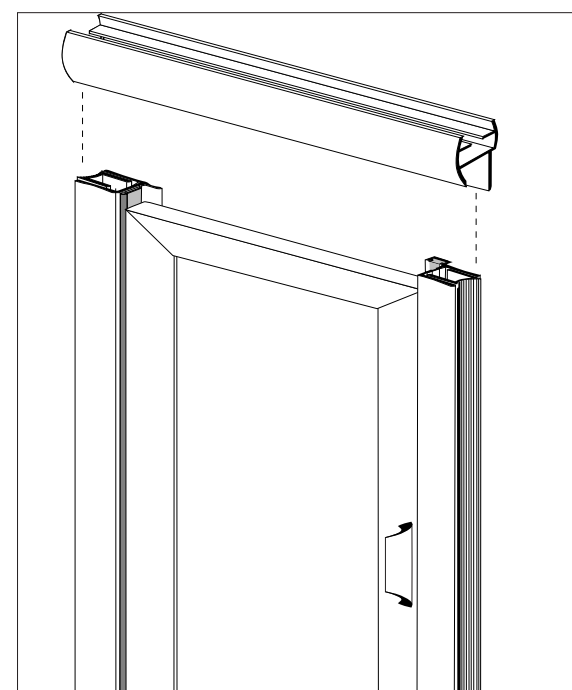
Step 3: Insert the Outer Striker Upright (B) over the proper Inner Wall Channel Upright as determined by the door swing. Tape into place. (Do not screw into place until last step 7.)

STEP 4 Assemble Handle



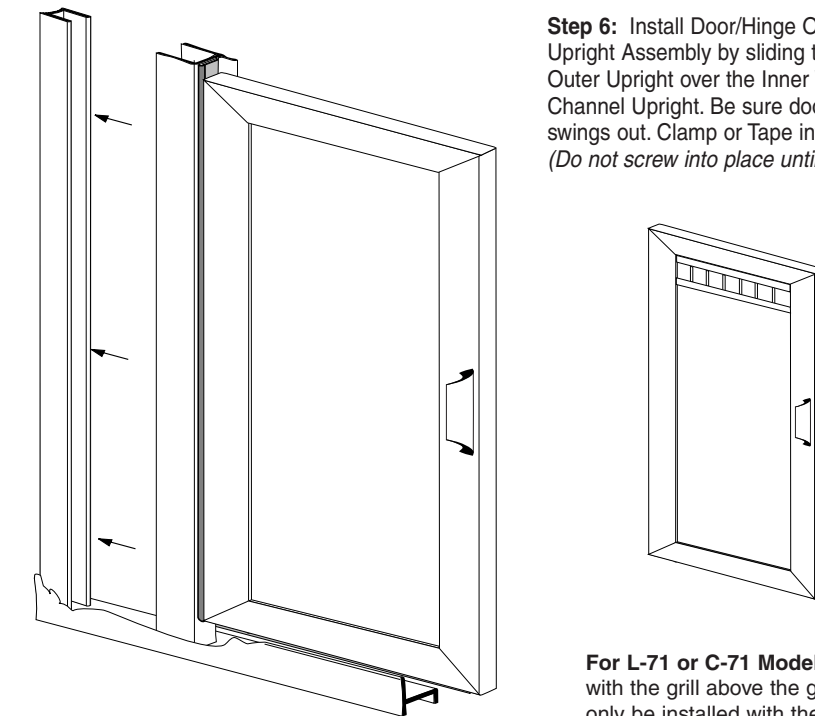
Step 4: To install handle: **Lucette Units:** a separate parts kit with instructions is supplied. **Crest Units:** Mount open hole handle on inside of door. Slide screw through handle and door into outside closed hole handle and screw together. Repeat for second screw.

STEP 5 Measure and Cut Header



Step 6: Cut Header to fit and put on top of unit. Wait to fix the uprights until the door swing is fully adjusted.

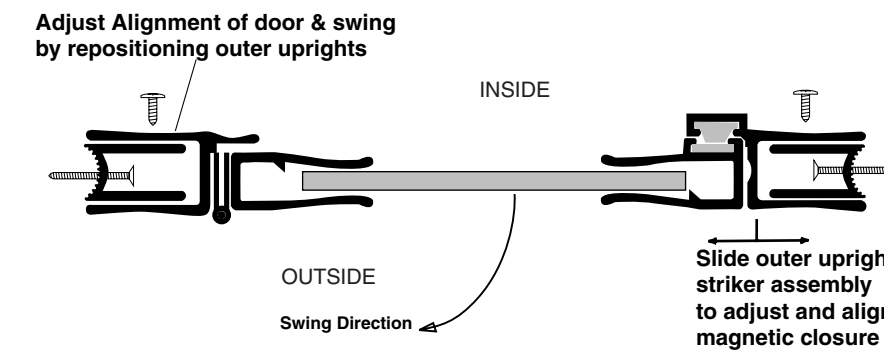
STEP 6 Install Hinge Upright with Door



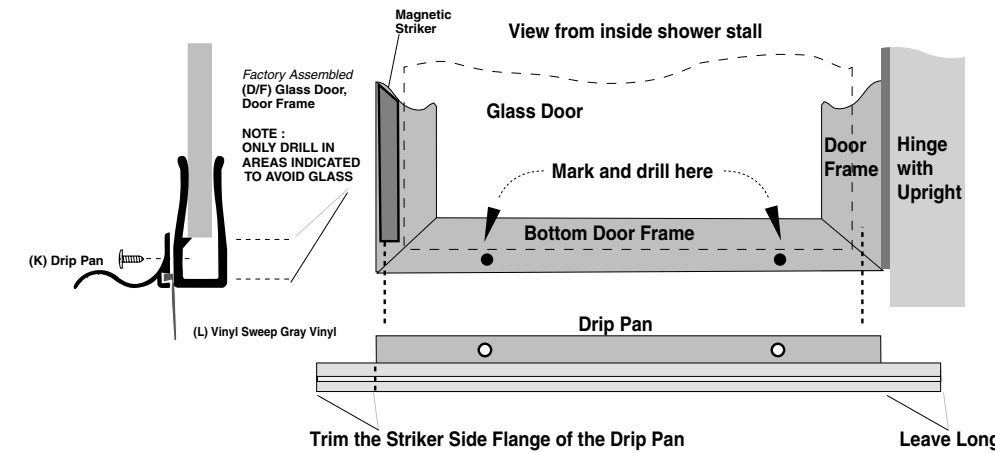
Step 6: Install Door/Hinge Outer Upright Assembly by sliding the Outer Upright over the Inner Wall Channel Upright. Be sure door swings out. Clamp or Tape into place. (Do not screw into place until Step 7.)

STEP 7 Test Door Swing and Adjust

Step 7: With the Header in place test door swing and adjust from the Outer Striker Upright (B) and/or the Door/Hinge Outer Upright Assembly (D/F) to obtain the proper clearance. Once the door is fully adjusted and working, fix the hinge and striker Uprights by drilling mounting holes into the Inner Uprights with #32 drill bit from the inside of the unit. Fix assembly using 3/8 x 6 pan head screws. After the vertical members are fixed, attach Header from the inside (flat side) and Threshold from the outside to these uprights with 3/8 x 6 Panhead Screws (N).



STEP 8 Measure, Cut and Install the Drip Pan & Sweep



Step 8: Drip Pan is supplied for either door swing. Trim the extra length of Drip Pan (K) that would be on the striker side of the door when installed (as viewed from the inside of the stall). Leave Drip Pan long on the hinge side of door. File the cut smooth and round the cut edge. Adjust position as needed to provide a slight horizontal tilt to the drip pan (with the low side toward the hinge side of the door) so that the water runs back into the shower. Use pre-drilled holes in Drip Pan for installation. Align bottom edge of the drip pan with bottom edge of the door and drill holes to mount drip pan. (Be sure to avoid drilling into the glass in the door.) Slide Drip Pan Vinyl Sweep (L) into drip pan as shown. Use two screws (N) to affix drip pan to door. Affix sweep with a small amount of silicone caulk.

STEP 9 OPTIONAL - Limit Chain:

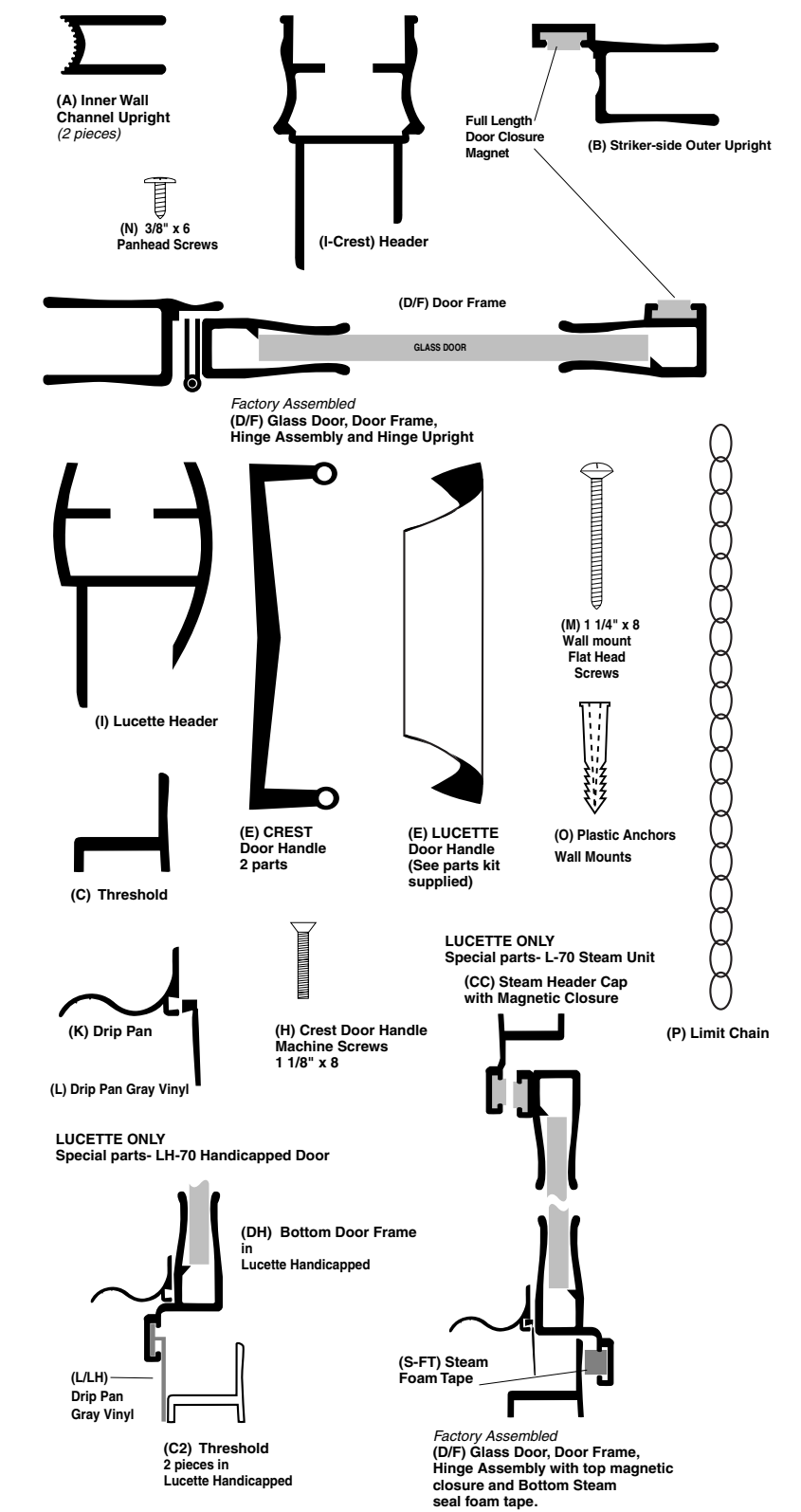
Step 9: Mount Limit Chain to door and header to limit door swing.

STEP 10 FINAL CAULK ING:

On Completion of Assembly and Installation Additional Caulking: Silicone entire inside of the unit where it meets the wall and the base to prevent water leakage.

Installation Parts Inventory for Lucette & Crest Shower Door

Please carefully unpack all parts for your unit and check that you have all the hardware as listed below. If any parts are missing or damaged, please refer to the item letter and description as shown below when contacting Century or your dealer for replacements.



Letter	Part Name	Quantity
(A)	Inner Wall Channel Upright	2
(B)	Striker Side Outer Upright	1
(C)	Threshold	1
(D/F)	Factory Assembled Door with Frame, Hinge and Outer Upright	1
<i>(Factory Assembly includes (D) Door (1), (F) Hinge Side Outer Upright (1), (G) Hinge (1))</i>		
(E)	Door Handle	2
(I)	Header	1
(K)	Drip Pan	1
(L)	Drip pan Vinyl Sweep	1
(M)	1 1/4 x 8 Panhead Screws	8
(N)	3/8 x 6 Panhead Screws	14
(H)	1 1/8 x 8 Flathead Machine Screws	2
(O)	Plastic Wall mount Anchors	8
(P)	Limit Chain	1

For Steam Units (Lucette only)
 (DS) Factory Assembled Steam Door, Hinge and Outer Upright along with Threshold Seal and Threshold Foam Tape (S-FT) for Steam Seal (Factory Installed)1
 (CC) Magnetic insert1

For Handicapped Units (Lucette only):
 (DH) Factory Assembled Door with special bottom Frame outfitted for handicapped Sweep, Hinge & Hinge Outer Upright 1
 (C2) Threshold split for use under Sidelight/upright assemblies .. 2
 (L/LH) Vinyl Sweep (has "T" head, extra long touches floor) 1

L-71 or C-71 MODELS:
 All parts the same as above except Door with Grill

CREST MODELS:
 All parts the same except for the Header (I-Crest) 1

****important:**
 Before starting, please read instructions carefully and thoroughly; then proceed step by step.

- Tools required for this job:**
- Tape measure
 - 3/16" carbide tipped masonry drill bit
 - #32 drill bit
 - Drill
 - Level
 - Flat head screwdriver
 - Phillips head screwdriver
 - Hacksaw
 - File for removal of burrs
- Also recommended:**
- Silicone caulk
 - Caulking gun
 - Mineral spirits or turpentine
 - Low tack or masking tape for holding parts in place for preassembly
 - Pencil