

Lucette or Crest Shower Door

Installation Instructions

INSTALLATION STEPS:

See Enlarged View of each Step on other side

Step 1: The 1631 and 1631B Thresholds are cut to size in the factory according to your dimensions. Install on base. The Buttress Model Thresholds may need to be cut to fit snugly. **After drilling mounting holes for uprights apply Silicone Caulk at each end of Thresholds at the wall before installing uprights.**

Step 2: Place the proper Wall Uprights on top of Threshold and level, drill and install Wall Uprights to wall. Where the door is to hinge or strike off the wall install the Inner Upright (A/O) on the wall (See Figure 4B or 4C).

Step 3: Install both Sidelights into wall mounted Outer Uprights. Shim under Sidelights with 3/16" removable shims (Not Supplied by Factory). Where the Sidelight next to the door is to be installed off the Corner Post complete assembly of the Corner Post and Install the Sidelight into part G/O (See Figure 4B).
(Do not screw into place until after final tests, step 8. Remove shims after screwed in place.)

Step 4: Assemble the 3 part Corner Post. The 1631 and 1631B (Buttress model) all have the same 3 part corner assembly (Corner post (G), Corner Outer Upright(s) (G/O) and Inner Upright (A/I). The channels need to slide together in a horizontal position and should be taped together for handling. The Outer Upright part of the corner assembly slides over the return Sidelight (in the Buttress model this upright cut short to allow for the buttress) (See Figure 4A). The third member of the corner assembly may be the second Corner Outer Upright or the Inner Upright, depending on the position of the sidelight. The Striker Upright may install over the Inner Upright in the corner post (See Figure 4A) or over the adjacent Sidelight (See Figure 4B) or the Inner Upright on the wall (See Figure 4C).
(NOTE: All Models allow the door assembly to install over the Sidelight, over the corner post assembly or over the inner upright installed on the wall for optional swing directions. Determine the swing direction before installing the Striker Upright.)

Step 5: Cut, fit and install Header.
(Do not fix with screws until after step 8.)

Step 6: Determine the swing direction of the door (left or right). Install Handle on door frame of factory preassembled door. Door is pre-drilled for handle installation.
(NOTE: Any installation requiring an in-swing door is a special order and cannot be assembled from this model)

Step 7: Install Door/Hinge assembly (D/F) by sliding Outer Upright over the Inner Upright in the corner post or over the Sidelight. Be sure the door swings out.
(Do not screw into place until after final tests, step 8.)

Step 8: Test door. Adjust Outer Uprights and/or Sidelights if necessary. Drill and screw Uprights, Sidelights to the Header from the inside and to the Threshold from the Outside. Remove shims under Sidelights.

Step 9: Cut, file, smooth and fit Drip Pan onto lower Door Frame.
(NOTE: see special instructions and diagrams to avoid drilling into glass within the door frame. Install Drip Pan with screws.)

Step 10: Install optional Limit chain.

Step 11: FINAL CAULKING --
After installation is complete be sure to caulk all threshold and wall mounts from the inside of the unit where they contact walls.

IMPORTANT:
Caulk here during installation as noted

Top or section view of standard L-1631, C-1631, L-1631B and C-1631B models

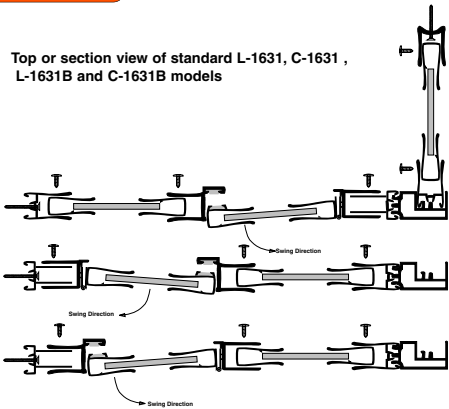
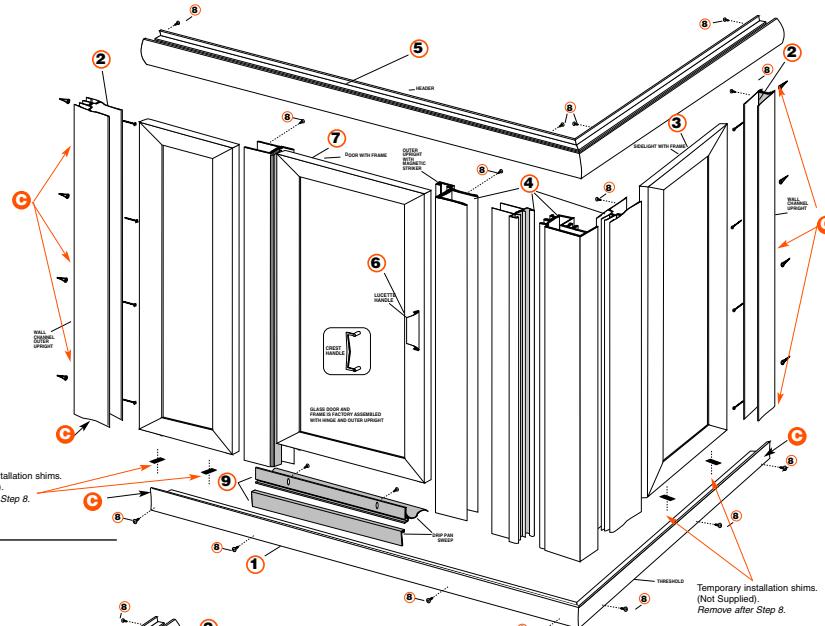


Figure 4A

Figure 4B

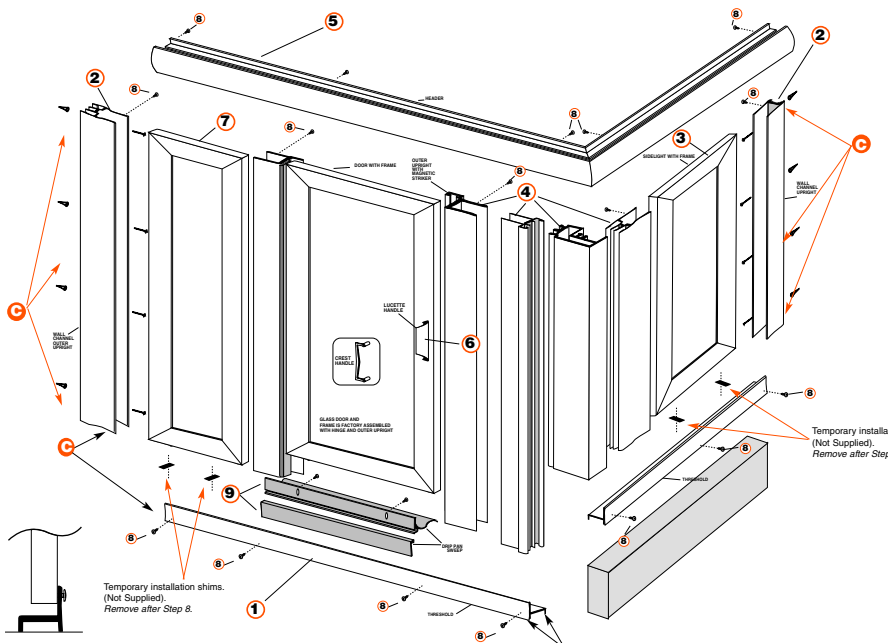
Figure 4C

Model L-1631 or C-1631



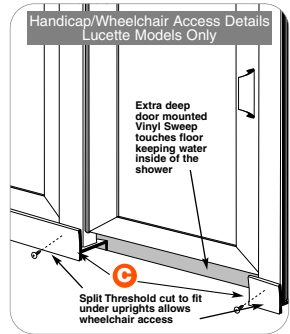
Temporary installation shims. (Not Supplied). Remove after Step 8.

Model L-1631B or C-1631B (Buttress Model)



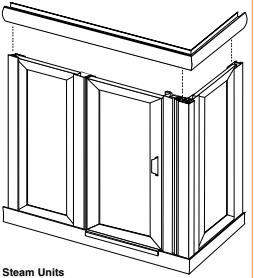
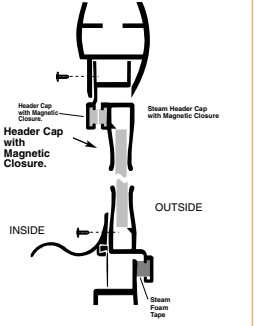
Temporary installation shims. (Not Supplied). Remove after Step 8.

NOTE: Determine the swing direction before installation to be sure that the proper wall upright is installed for the requirements of both the sidelight and the door.
- (A/O) Outer upright is installed on the wall for the sidelight.
- (A/I) Inner Upright or (G/O) Corner Upright is installed on the wall for the door or striker.



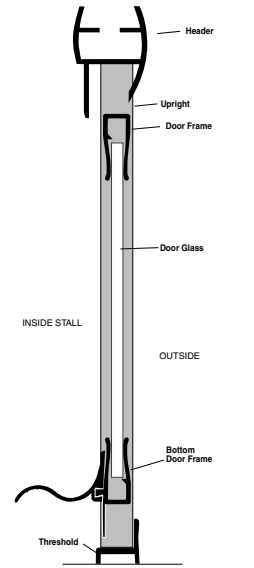
IMPORTANT:
To insure complete customer satisfaction Century Bathworks recommends installation by a professional installer.

Section view Steam Unit Lucette Models Only



Steam Units have a Header with a Magnetic Closure. Measure and cut and screw into place as last step.

Section or side view



Tools Required: Ruler, Level, Phillips Head Screwdriver, Flat Head Screwdriver, Hack Saw, Electric Drill, 3/16" Carbide Tipped Masonry Drill Bit, No. 32 Metal Cutting Drill Bit, file.

Century Bathworks, Inc.,

Models L-1631, C-1631 / L-1631B C-1631B

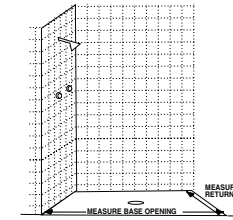
Please carefully unpack all parts for your unit and check that you have all the hardware as listed on back. If any parts are missing or damaged, please refer to the item letter and description as shown below when contacting Century or your dealer for replacements.

CAUTION: When drilling through tile, carefully break through glazed surface only with sharp tool or center punch, then drill slowly with 3/16" carbide tipped drill.

NOTICE: Please wear safety glasses whenever drilling or cutting tile or metal parts.

IMPORTANT NOTE: Wall Uprights must be installed level and plumb. Do not follow grout lines.

STEP 1 Check & Fit Threshold to opening. Caulk Ends.

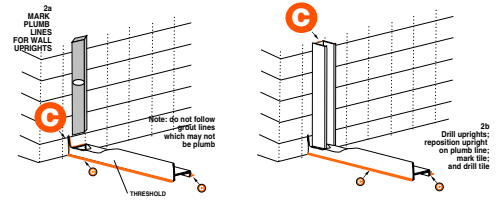


Step 1: Installation of Threshold
These installation instructions are based on the typical requirements for an enclosure with the usual tile and wall conditions. All parts are to the dimensions that you have submitted. The out of plumb variable for this unit is 1/4" maximum for out of plumb and out of level.

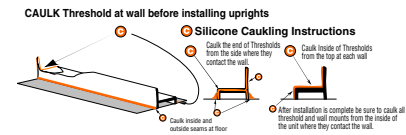
Threshold (C) is cut in the factory to fit your dimensions. Check fit. In Buttress Models you may have to cut the base threshold to fit snugly.

Caution: The low shelf side of threshold must face to the inside of shower; this permits water to drain back into the shower.

STEP 2 Measure, mark and drill uprights.



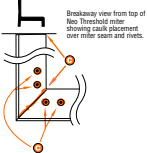
Caulk Uprights



Step 2: Mount Wall Uprights

After the Threshold (C) is installed determine the door swing and the location of the adjacent sidelight for proper Wall Upright installation. Outer Wall Upright(s) (A/O) always go with the Return Sidelight. The Corner Outer Upright (G/O) goes with the front Sidelight. The Inner Wall Upright (A/I) is used with the door hinge assembly and can be mounted in the corner post or on the wall where the door is hinged off of the wall upright. (See Figures 4A, 4B or 4C). Place the proper Uprights against wall resting on Threshold. You must align both Uprights vertically plumb and parallel. When the Upright is plumb (use a level) mark the holes on wall. When setting the position, Uprights must rest on the Threshold.

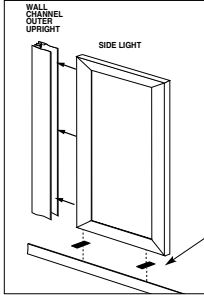
Remove Uprights and drill holes in the wall with 3/16" carbide-tipped masonry bit. Insert plastic wall anchors into holes. Lightly tap them flush to the tile; this will help eliminate cracking the tile when screws expand the anchors. Caulk the ends of the threshold / tile seam and the base of the Wall Uprights where they meet the Threshold before screw mounting these upright to the wall. Screw the Wall Uprights into position with your predrilled holes and mount to wall with 1 1/4" x 8 panhead screw (M).



- Tools required for this job:**
- Tape measure
 - 3/16" carbide tipped masonry drill bit
 - #32 drill bit
 - Drill
 - Level
 - Flat head screwdriver
 - Phillips head screwdriver
 - Hacksaw
 - File for removal of burrs
- Silicone caulk**
- Caulking gun
 - Mineral spirits or turpentine
- Also recommended:**
- Low tack or masking tape for holding parts in place for preassembly
 - Pencil

****important:**
Before starting, please read instructions carefully and thoroughly; then proceed step by step.

STEP 3 Insert Sidelights into Wall Outer Uprights

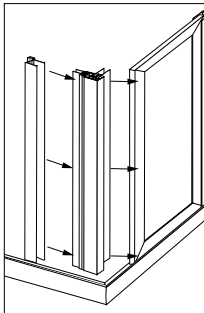


Step 3: Insert the Sidelights (SL) into Outer Wall Uprights. Place temporary 3/16" Shims (not supplied by the factory) under Sidelight. Tape into place. (Do not screw into place until last step 8.)

(NOTE: If the door striker or hinge is off of the Wall Upright, the two Sidelights must be assembled first with the corner post as shown below.)



STEP 4 Assemble Corner Post and Striker Outer Upright



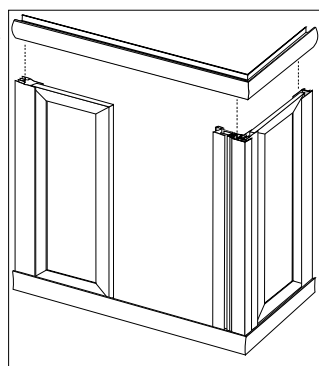
Step 4: The 1631 and 1631B (Buttress model) all have the same 3 part corner assembly (Corner post (G), Corner Outer Upright(s) (G/O) and Inner Upright (A/I)). The channels need to slide together in a horizontal position and should be taped together for handling. The Outer Upright part of the corner assembly slides over the return sidelight (in the Buttress model this upright is cut short to allow for the buttress) (See Figure 4A). The third member of the corner assembly may be the second Corner Outer Upright or the Inner Upright, depending on the position of the front sidelight. The Striker upright may install over the Inner Upright in the corner post (See Figure 4A) or over the adjacent Sidelight (See Figure 4B) or the Inner Upright on the wall (See Figure 4C).

(NOTE: All Models allow the door assembly to install over the Sidelight, over the corner post assembly or over the inner upright installed on the wall for optional swing directions. Determine the swing direction before installing the Striker Upright.)

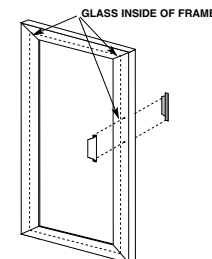
(Do not screw into place until last step 8.)

STEP 5 Measure and Cut Header

Step 5: Cut Header to fit and put on top of unit. Wait to fix to the uprights until the door swing is fully adjusted.

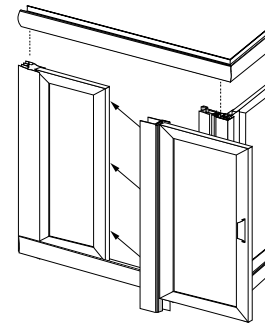


STEP 6 Assemble Handle



Step 6: Install handle
Lucette Units: a separate parts kit with instructions is supplied.
Crest Units: Mount open hole handle on inside of door. Slide screw through handle and door into outside closed hole handle and screw together. Repeat for second screw.

STEP 7 Install Hinge Upright with Door

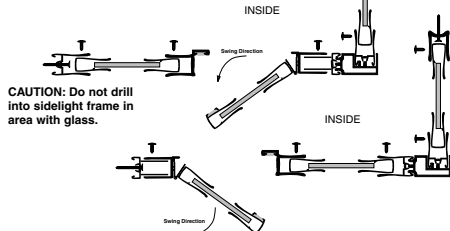


Step 7: Install Door/Hinge Outer Upright Assembly (D/F) by sliding the Outer Upright over the Sidelight. Be sure door swings out. Clamp or Tape into place. (Do not screw into place until Step 8.)

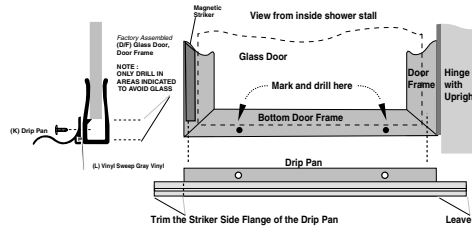
For L-71 or C-71 Models: Doors with the grill above the glass can only be installed with the swing direction as ordered.

STEP 8 Test Door Swing and Adjust, Fix Assembly

Step 8: With the Header in place test door swing and adjust from the Outer Striker Upright (B) and/or the Door/Hinge Outer Upright Assembly (D/F) to obtain the proper clearance. Once the door is fully adjusted and working fix the side light(s) to the wall uprights by drilling mounting holes into the Uprights and hollow part of the sidelight with #32 drill bit from the inside of the unit. Fix assembly using 3/8 x 6 pan head screws (N) then fix the door assembly and striker Uprights by drilling and fixing in the same way. After the vertical members are all fixed attach Header (flat side from the inside) and Threshold from the outside) to the uprights with 3/8 x 6 Panhead Screws (N). Remove temporary shims under sidelights.



STEP 9 Measure, Cut and Install the Drip Pan & Sweep



Step 9: Drip Pan is supplied for either door swing. Trim the extra length of Drip Pan (K) that would be on the striker side of the door when installed (as viewed from the inside of the stall). Leave Drip Pan long on the hinge side of door. File the cut smooth and round the cut edge. Adjust position as needed to provide a slight horizontal tilt to the drip pan (with the low side toward the hinge side of the door) so that the water runs back into the shower. Use pre-drilled holes in Drip Pan for installation. Align bottom edge of the drip pan with bottom edge of the door, mark and drill holes in door frame to mount drip pan. (Be sure to avoid drilling into the glass in the door). Slide Drip Pan Vinyl Sweep (L) into drip pan as shown. Use two screws (N) to affix drip pan to door. Secure sweep with a small amount of silicone caulk.

STEP 10 OPTIONAL - Limit Chain:

Step 10: Mount Limit Chain to door and header to limit door swing.

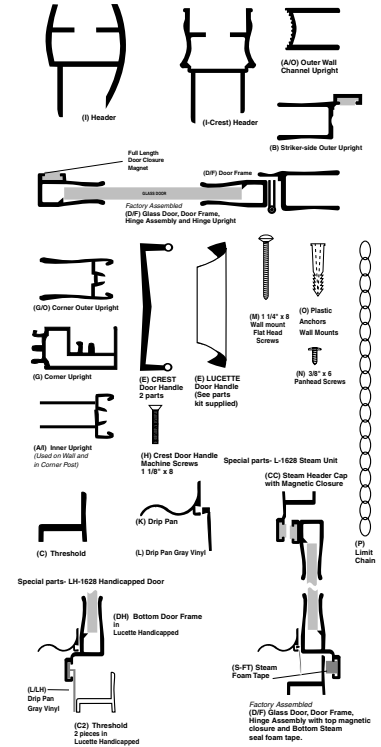
STEP 11 FINAL CAULKING:

On Completion of Assembly and Installation Additional Caulking:
Silicone entire inside of the unit where it meets the wall and the base to prevent water leakage.

Century Bathworks, Inc.,
— Lucette Models L-1631, L-1631B, and optional Steam & Handicapped Doors
— Crest Models C-1631, C-1631B

Installation Parts Inventory for Lucette & Crest Shower Door

Please carefully unpack all parts for your unit and check that you have all the hardware as listed below. If any parts are missing or damaged, please refer to the item letter and description as shown below when contacting Century or your dealer for replacements.



Letter	Part Name	Quantity
(A/O)	Outer Wall Upright	1
(A/I)	Inner Wall Upright	1
(G/O)	Corner Outer Upright	2
(G)	Corner Upright	1
(B)	Striker Side Outer Upright	1
(C)	Threshold (Buttress Models have two part Threshold)	1
(D/F)	Factory Assembled Door with Frame, Hinge & Outer Upright 1 Factory Assembly Includes: (D) Door Frame Hinge Side (1) (F) Hinge Side Outer Upright (1), (G) Hinge (1)	1
(SL)	Sidelight	2
(E)	Door Handle	1
(I)	Header	1
(K)	Drip Pan	1
(L)	Drip Pan Vinyl Sweep	1
(M)	1 1/4 x 8 Panhead Screws	30
(N)	3/8 x 6 Panhead Screws	8
(H)	1 1/8 x 8 Flathead Machine Screws	2
(O)	Plastic Wall mount Anchors	8
(P)	Limit Chain	1
For Steam Units		
(DS/F)	Factory Assembled Steam Door, Hinge and Outer Upright along with a Threshold Seal and Threshold Foam Tape (S-F/T) for Steam Seal (Factory Installed)	1
(CC)	Magnetic Header Insert Threshold Foam Tape for Steam Seal (Factory Installed)	1
For Handicapped Units :		
(DH)	Factory Assembled Door with special bottom frame outfitted for Handicapped Sweep, Hinge & Hinge Outer Upright	1
(CH2)	Threshold split for use under uprights only	2
(L/LH)	Vinyl Sweep (has "T" head, extra long touches floor)	1
L-71 or C-71 Doors- All parts the same as above except Door with Grill		
CREST MODELS: All parts the same as above except header (I-Crest) 1		