

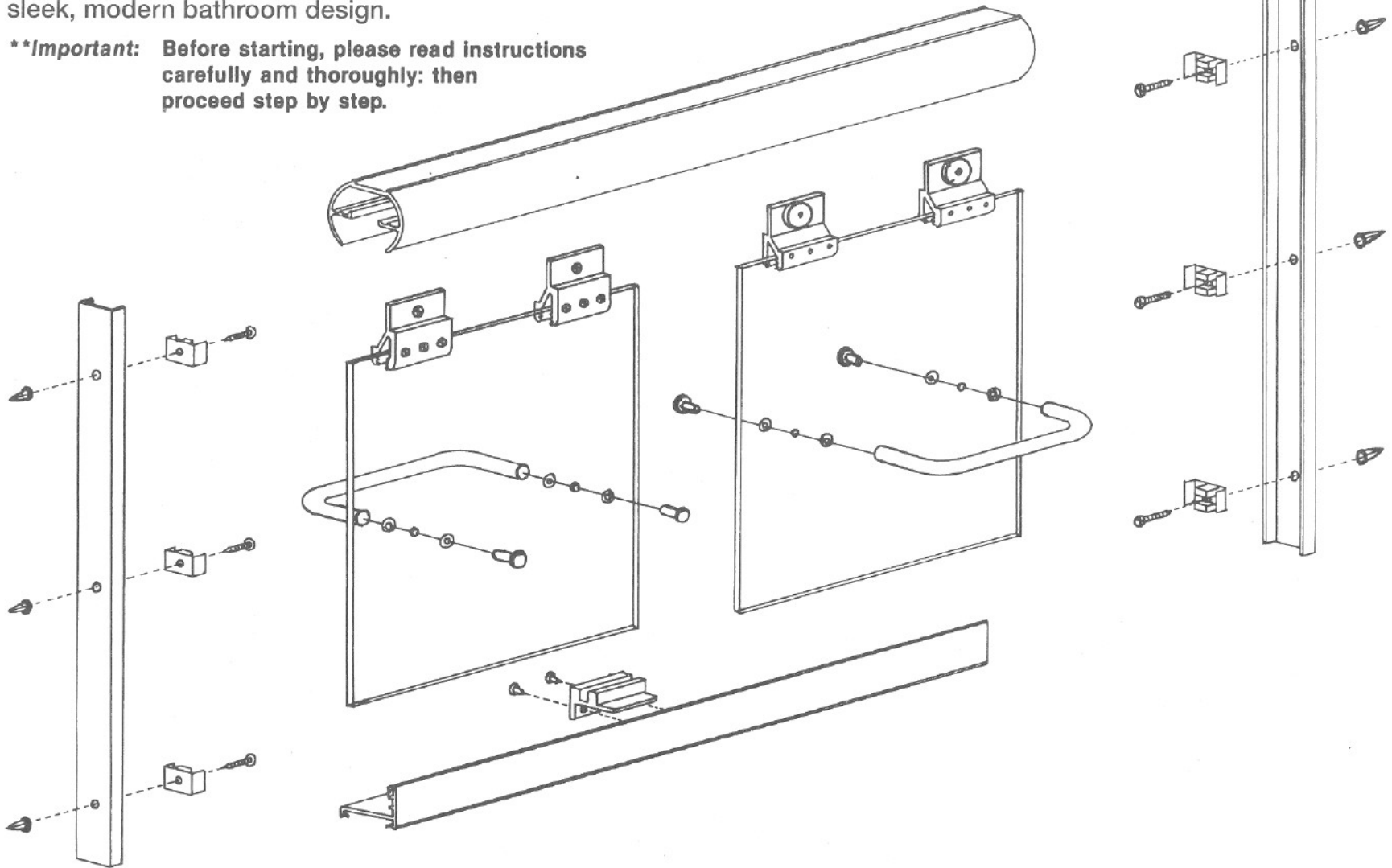
# Century Bathworks, Inc.™

## CENDEC FRAMELESS SLIDING DOORS

### INSTALLATION INSTRUCTIONS

Century Bathworks, Inc.™ is pleased to introduce its unique design - th Centec Frameless sliding door. The answer to sleek, modern bathroom design.

**\*\*Important:** Before starting, please read instructions carefully and thoroughly: then proceed step by step.



# ASSEMBLY AND INSTALLATIONS INFORMATION FOR TUBS AND STALLS

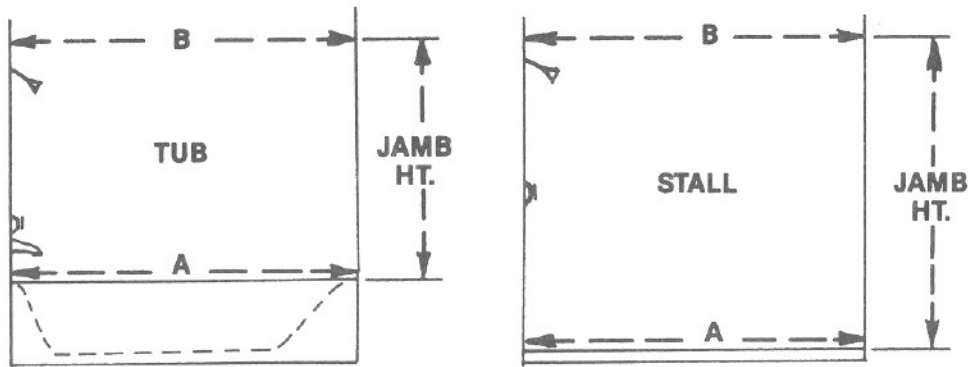


FIGURE 1

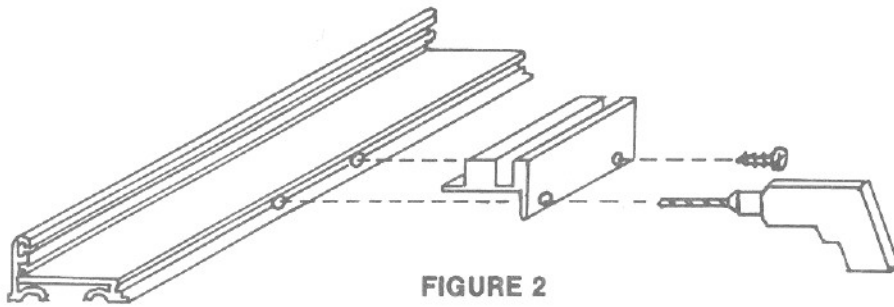


FIGURE 2

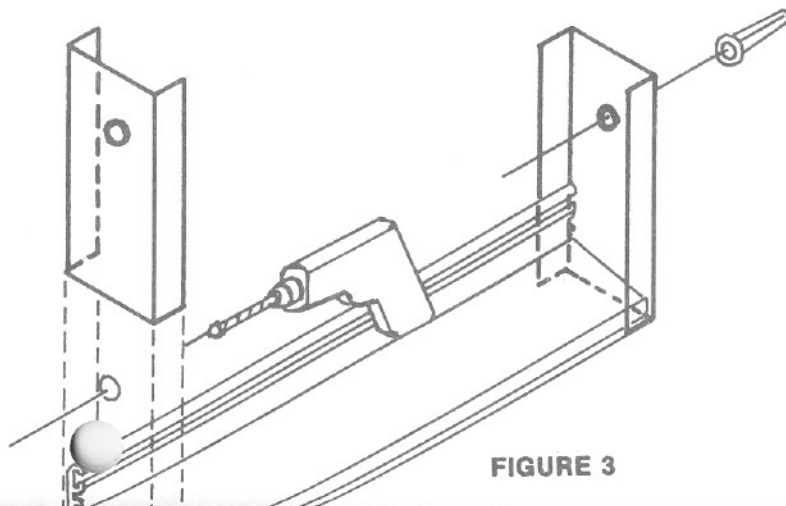


FIGURE 3

1. **MEASUREMENTS:** Measure wall to wall openings at tub rim or stall base. Mark and cut bottom track with hack saw  $1/2''$  shorter than openings. Always re-check your measurements before cutting. SEE MEASUREMENT A. FIGURE 1

Measure wall to wall openings at jamb height of tub or stall. Mark and cut header with a hack-saw  $1/16''$  shorter than wall to wall measurement at the unit height. SEE MEASUREMENT B, FIGURE 1

2. **BOTTOM TRACK ASSEMBLY:** Locate the center of the cut bottom track, position the track guide over the center of the track. With the guide in position, use mounting holes of the guide to mark your drilling location. Use the #32 drill bit supplied to drill through the inside leg of track. Fasten guide to the track with the short #6 x  $3/8''$  screws. SEE FIGURE 2

3. **PREPARATION:** Without any caulk or adhesive, center the bottom track *equal* distance from each wall and place on the center of tub rim or stall base (short leg of track facing in towards bathing area). Positioning the bottom track before adhesive is applied enables you to move bottom track in or out to obtain the perfect position for the wall jamba.

Place both jamba against the wall, one at a time, lock each one over the bottom track as shown, in FIGURE 3. You must align wall jamba *vertically*. Use a level to make certain jamba are plumb.

Once jamba are plumb and in position, mark the position of the jamb hole on the wall. Before removing jamba, mark position of the bottom track on the tub so it can be placed in its original position after adhesive is applied.

Remove jamba and drill holes with a  $3/16''$  carbide tipped masonry drill. Insert plastic anchors into holes; lightly cap them flush to tile. This will allow the wall jamba to be attached to the wall.

the screws expand the anchors.

**\*\*IMPORTANT:** Wall jambs must be installed plumb; use a level, *do not* follow grout line.

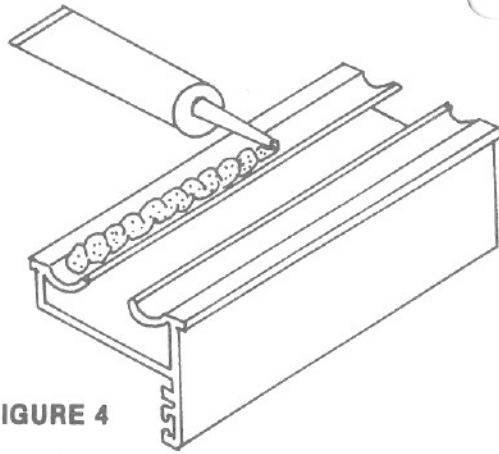


FIGURE 4

4. **INSTALLATION OF BOTTOM TRACK:** Clean rim of tub or stall base with mineral spirits or turpentine. Apply a thin ribbon of adhesive to both caulk channels of the bottom track. SEE FIGURE 4. Position the bottom track in the marked area of the base (short leg of track with mounting holes of bottom track guide facing in towards bathing area).

Press track down firmly with fingers to assure good adhesive. Remove excess adhesive with a clean cloth. Turpentine or mineral spirits may be used. *Allow 24 hours of drying time for good adhesion.*

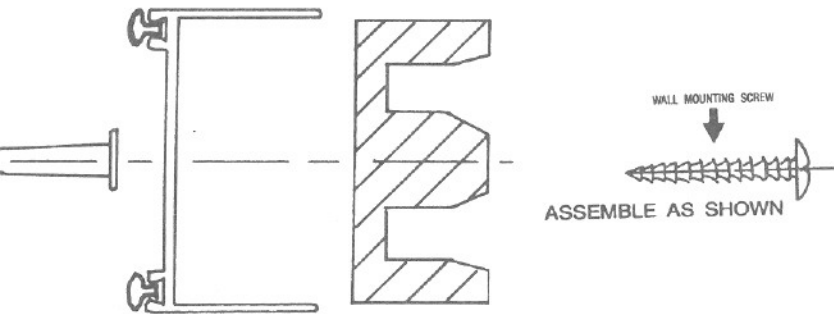


FIGURE 5

5. **INSTALLATION OF WALL JAMBS:** Install one wall jamb at a time, making sure to lock over bottom track without moving it. Line up wall jamb with pre-drilled mounting holes. One E-shaped rubber bumper is supplied for each mounting hole. Fix the bumper in position before screwing the jamb to the wall with #8 x 1-1/4" installation screws through the bumper. SEE FIGURE 5. (Do not overtighten)

All models have wall jamb vinyl seal provided. No wall jamb caulking is necessary on recessed tubs or stalls. Carefully caulk to seal area where jambs lock over bottom track.

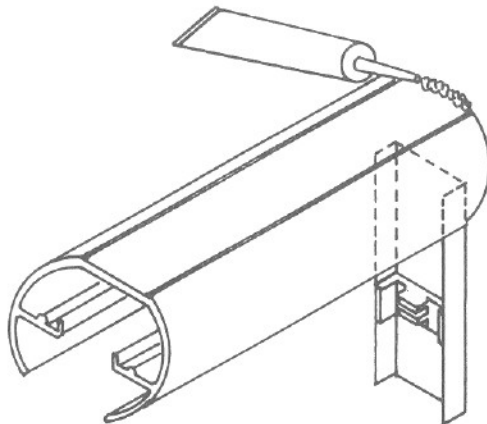


FIGURE 6

6. **INSTALLATION OF HEADER:** The header caps over the wall jambs to stabilize the unit. From the top bring header down over jamb until it comes to a secure stop. SEE FIGURE 6

For added protection, apply a bead of adhesive where the two ends of the header meet the walls. Use the notch on the upper surface of the header to conceal the caulk. SEE FIGURE 6



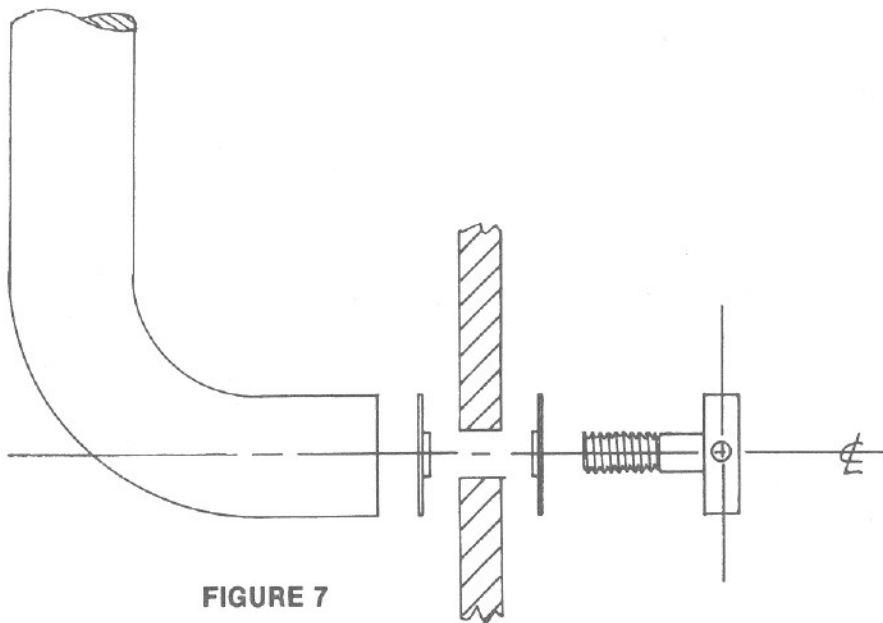


FIGURE 7

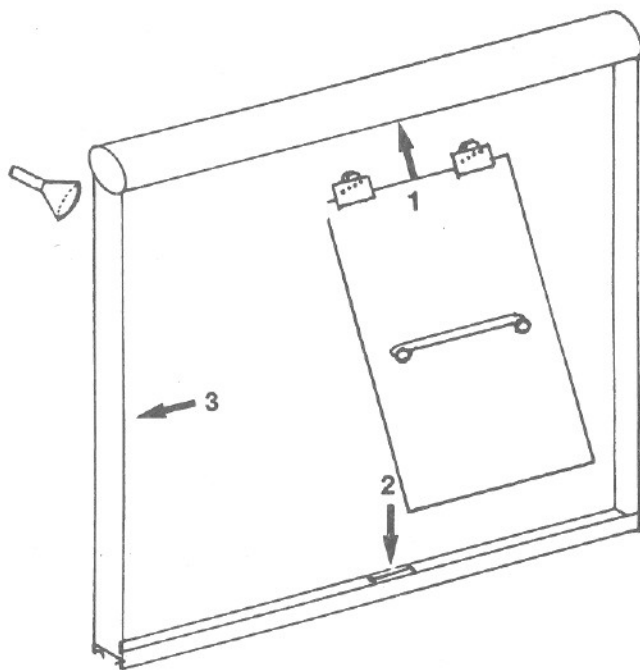


FIGURE 8

7. **TOWEL BAR ASSEMBLY:** The towel bar hardware has been assembled for your convenience. Just remove the fasteners and protective nylon washers from the towel bars and you're ready to install the bars on the glass doors.

When handling the glass, always take care of the polished edges, especially the corners. Lean the glass against the wall, with the rollers at the top and facing towards you. If you're working on a tile or other hard surface, first put down a throw rug, heavy bath mat or even a piece of cardboard to protect the bottom edge of the glass.

Towel bars are always installed on the *same* side as the rollers. This makes the glass doors reversible. Next, attach the towel bar hardware through the pre-drilled holes in the glass with one nylon washer on each side of the glass (towel bars facing out on the same side as the rollers). SEE FIGURE 7

Secure the hardware to the glass by hand tightening the fasteners through the glass and into the threaded towel bar. Due to the shape of the fastener, it is difficult to hand tighten. An awl or the back of your #32 drill bit can be used to tighten the fastener securely. The fastener has a small hole on its side, inserting either tool and turning clockwise will secure the fastener.

8. **INSTALLATION OF DOORS:** Always install the *inside door first* and with the towel bar facing toward the tub and insert roller into the header section. Lower panel so that the rollers rest on the groove of the header and the bottom of the panel drops into the bottom track guide. Slide inside door toward the shower head. With towel bars facing you, repeat the procedure with the outside door, only this time slide panel to the opposite side of the shower head. SEE FIGURE 8

**\*\*IMPORTANT:** Always lift glass doors by the side, never use the towel bars. Be extremely careful not to hit the edge of the glass when installing.