

****important:** Before starting, please read instructions carefully and thoroughly; then proceed step by step.

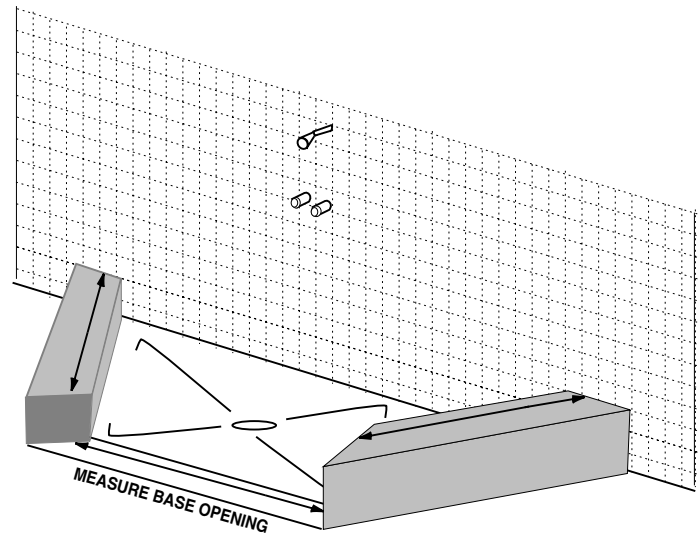
Please carefully unpack all parts for your unit and check that you have all the hardware as listed on back. If any parts are missing or damaged, please refer to the item letter and description as shown below when contacting Century or your dealer for replacements.

CAUTION: When drilling through tile, carefully break through glazed surface only with sharp tool or center punch, then drill slowly with 3/16" carbide tipped drill.

NOTICE: Please wear safety glasses whenever drilling or cutting tile or metal parts.

IMPORTANT NOTE: Wall Uprights must be installed level and plumb. Do not follow grout lines.

STEP 1 Check & Fit Threshold to opening. Caulk Ends.



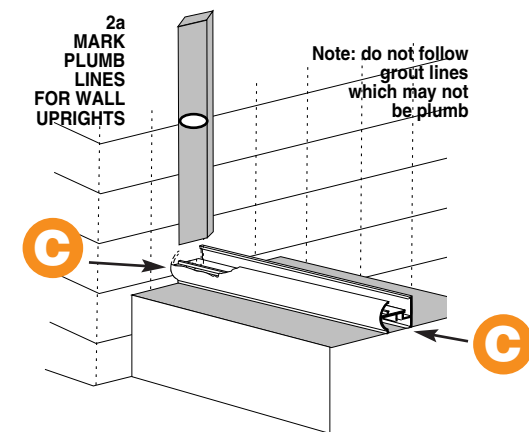
Step 1: Installation of Threshold

These installation instructions are based on the typical requirements for an enclosure with the usual tile and wall conditions. All parts are to the dimensions that you have submitted. The out of plumb variable for this unit is 1/4" maximum for out of plumb and out of level.

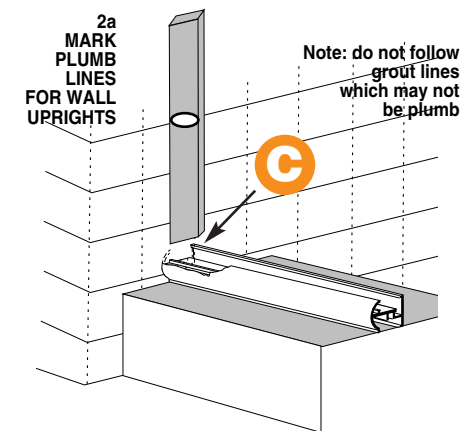
Thresholds for all models are cut to size according to the dimension you have supplied to fit snugly. Exception: the front Threshold for the Buttress model will need to be cut to fit. Place Threshold on base and check fit. Place in position. After drilling mounting holes for uprights silicone ends of threshold extrusions where they meet the wall or buttress.

Caution: The round side of threshold must face to the outside of shower; this permits water to drain back into the shower.

STEP 2 Measure, mark and drill uprights.



Caulk Uprights
Caulk here during installation

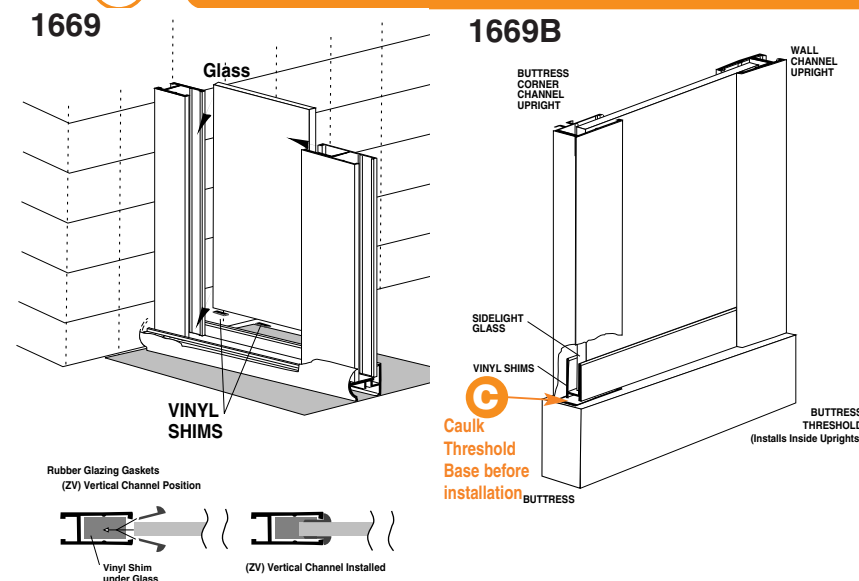


Step 2: Outer Wall Mounts: After the Threshold (C) is installed, place the Outer Wall Channel Uprights (A) (left and right) against wall resting on Threshold. You must align both Uprights vertically plumb. When the wall channel is plumb (use a level) mark the holes on wall. When setting the position, rest uprights on the Threshold.

(Buttress Units require assembly of main Threshold (C) and positioning of the Wall Uprights after preassembly of the sidelight assembly with the Buttress Threshold (CB) and the corner upright assembly in order to properly position the Wall Uprights.)

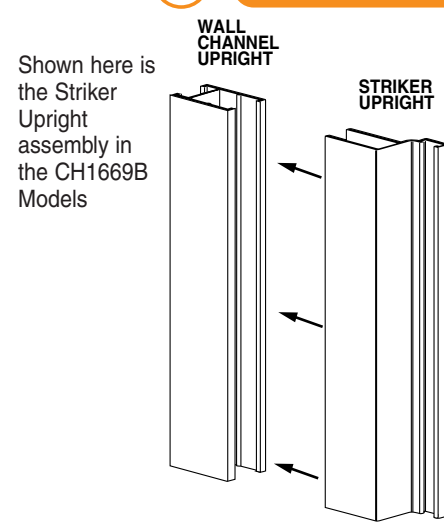
Remove Uprights and drill holes in the wall with 3/16" carbide-tipped masonry bit. Insert plastic wall anchors into holes. Lightly tap them flush to the tile; this will help eliminate cracking the tile when screws expand the anchors. Caulk threshold / tile seam and the base of the Outer Wall Channel Uprights where they meet the threshold before screw mounting these upright to the wall. Screw Outer Wall Channel Uprights into position with your predrilled holes and mount to wall with 1 1/4" x 8 flathead screw (R).

STEP 3 Install Sidelight Panel (s)



Step 3: Place Thick Vinyl Shims (X) in position on Threshold completely inside the Wall Channel and Corner Channel to cushion the bottom of the Glass sidelight panel. Place glass on shims on threshold not more than halfway inside the wall channel. Insert the Neo Angle Channel(s) (Steps 4 & 8) only halfway over the edge of the glass.
Buttress Units Step 3B: Insert Glass on thick vinyl gaskets into Buttress Threshold. Caulk base of Buttress Threshold and install in Wall Upright. Slide Buttress Corner Channel Upright as assembled with Transition Upright over Glass. (Same for both sidelights.) **NOTE Glass sidelights should only insert halfway into any upright.**
Vertical Glazing -- Measure the thin Rubber Glazing Gaskets (ZV) for the vertical sides of the sidelight glass with a inch or two extra. From the top, insert between glass and channel. Trim at bottom. **DO NOT STRETCH RUBBER,** leave long so it won't contract after installation.

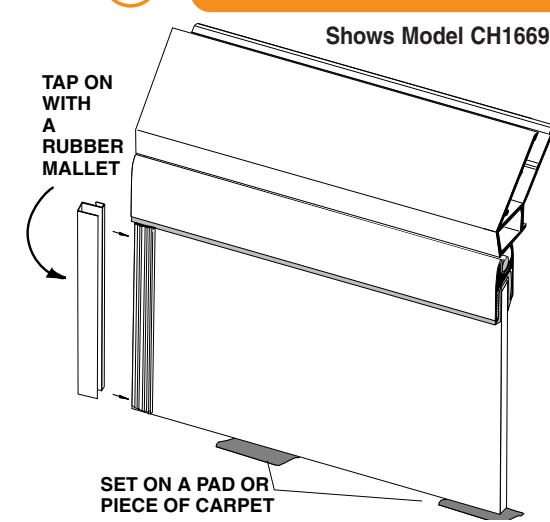
STEP 4 Install Pivot Upright



Step 4: Insert the Neo Angle Striker Upright (B) over the sidelight glass and into the Threshold. (Do not screw into place until last step.)
Buttress Units Step 4B: Insert Inner Striker Upright into Transition Upright that forms Neo Angle corner.

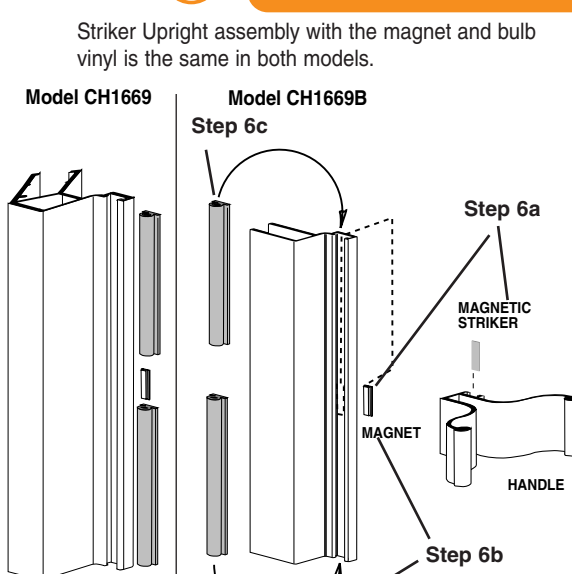
NOTE: Model CH1669 is supplied with a one piece corner/striker upright. See illustration on front side of this filer.

STEP 5 Install Bottom Door Frame



Step 5: After confirming the swing of the door label outside of door. Slide Vinyl Liner (M) on bottom of door. Tap Bottom Door Frame (J) gently onto vinyl making sure lip for the Drip Pan is on inside of door. (Drip Pan is installed as Step 11.)
NOTE: Model CH 1669B is supplied with a two piece pivot assembly upright. See the illustration on the front side of this filer.

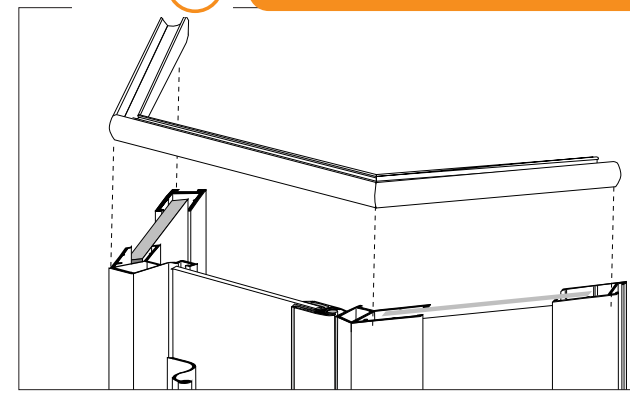
STEP 6 Assemble Handle



NOTE: The steps to assemble the handle, Bulb Vinyl and the magnets are the same in both models.

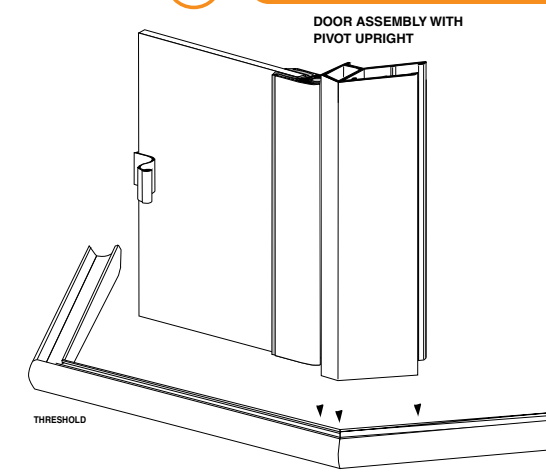
NOTE: magnets are fragile and breakable. Do Not Drop.

STEP 7 Measure and Cut Header



Step 7: Cut Header to fit and put on top of unit and attach to the wall uprights with 1/2 x 6 panhead screws. Once door is fully adjusted and working, screw Header (I) to both uprights from the inside of the unit with 1/2 x 6 panhead screws.
***Note: Do not drill into any part of a channel that has glass inside.**

STEP 8 Install Pivot Upright



Step 8: Install Neo Angle Door/Pivot Upright Assembly over the glass and into the Threshold. Be sure door swings out. Clamp or Tape into place. (Do not screw into place until step 9.)

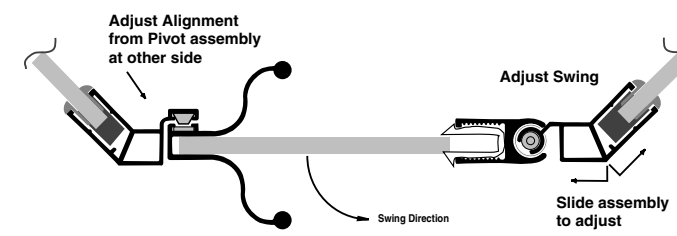
Note: The Vinyl Tube (Q), Pivot Assembly (G), Door Frame extrusion (D) with the Vinyl Liner (M) and the glass door are factory assembled with the Neo Angle Pivot Upright (F) or in Buttress units with the Pivot Side Channel Upright (FB).

Buttress Units Step 8B: Insert Inner Pivot Upright (FB) as factory assembled with Door into Wall Channel (A) that is used as the transition upright and forms Neo Angle corner in buttress units. See assembly as illustrated on the front side of this filer.

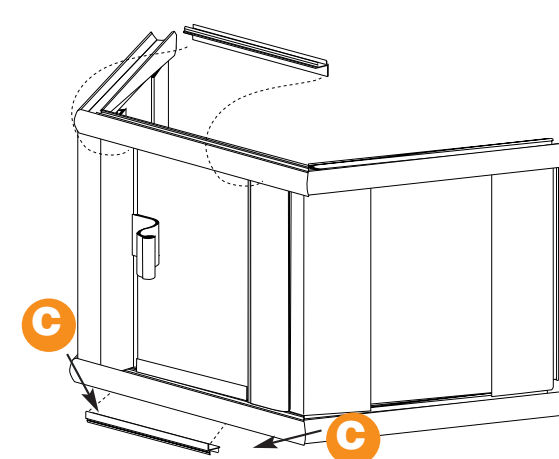
STEP 9 Test Door Swing and Adjust

Step 9: Test door swing and adjust from the Inner Striker Upright (B or BB) and/or the Door/Pivot Upright Assembly (D/F) to obtain the proper clearance. Fix Uprights to the Header and Threshold by drilling mounting holes, from the inside of the stall into the Neo Corner Channel Uprights with #32 drill bit. Fix assembly using 1/2 x 6 Panhead Screws (SH).

Buttress Units Step 9: Once the door is fully adjusted and working fix the pivot (FB) and striker (BB) Uprights by drilling mounting holes through the Transition Channel Uprights into the Inner Uprights with #32 drill bit. Fix assembly using 3/8 x 6 pan head screws (S). After the vertical members are fixed attach them to the Header (flat side) and Threshold from the inside of the stall using 1/2 x 6 Panhead Screws (SH).

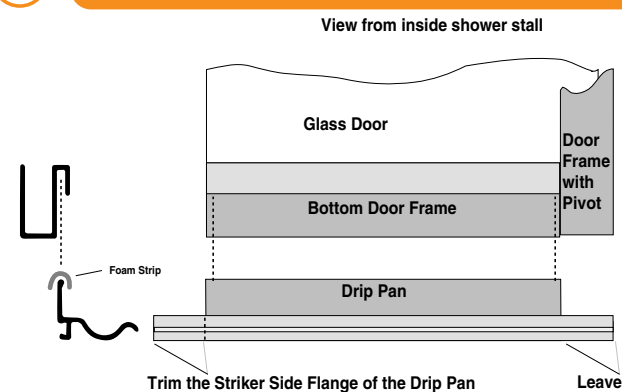


STEP 10 Measure and Cut Header & Threshold Caps



Step 10: Measure, cut and fit the Header and Threshold Caps. (Long leg cap is the Header cap.) Snap into place. Silicone Caulk Bottom Threshold Cap where it meets the uprights.

STEP 11 Measure, Cut and Install the Drip Pan & Sweep



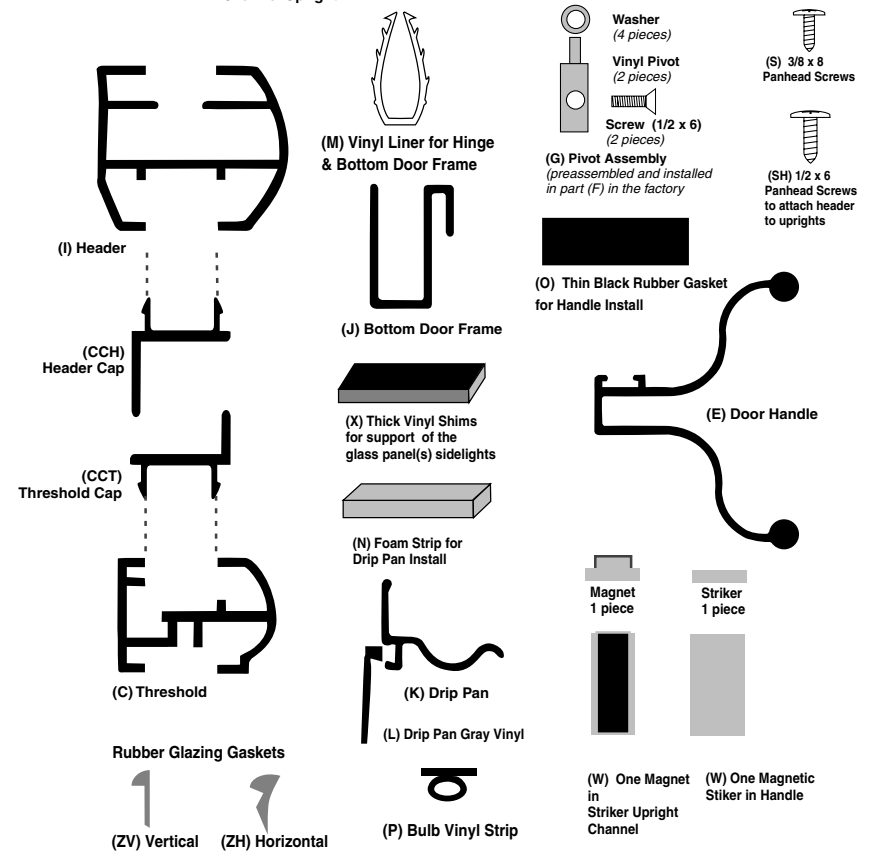
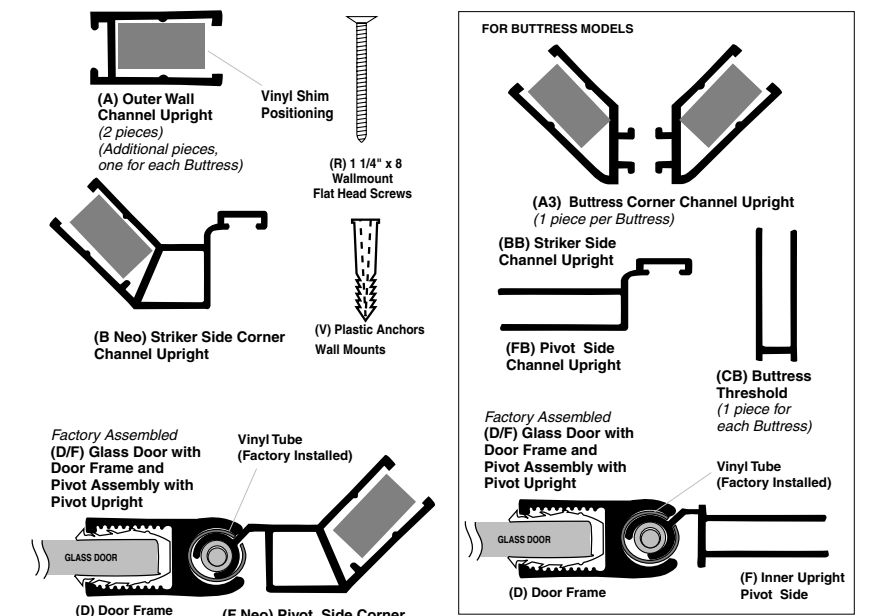
Step 11: Drip Pan is supplied for either door swing. Trim the extra length of Drip Pan (K) that would be on the striker side of the door when installed (as viewed from the inside of the stall). Leave Drip Pan long on the pivot side of door. File the cut smooth and round the cut edge. Cut small piece of Foam Strip (N) into 2 pieces and place over the top of the vertical leg of the drip pan. Slide Drip Pan Vinyl Sweep (L) into drip pan as shown. Slide drip pan into lip on Bottom Door Frame (J) section of door and adjust as needed to provide a slight horizontal tilt to the drip pan (with the low side toward the hinge side of the door) so that the water runs back into the shower. Run a bead of silicone on back edge of drip pan to secure drip pan to door.

Step 12: FINAL CAULKING-

On completion of Assembly and Installation Additional Caulking:

C Silicone entire inside of the unit where it meets the wall and and the base to prevent water leakage.

Please carefully unpack all parts for your unit and check that you have all the hardware as listed below. If any parts are missing or damaged, please refer to the item letter and description as shown below when contacting Century or your dealer for replacements.



Letter	Part Name	Quantity
(A)	Outer Wall Channel Upright	.2 or 4 <i>Models 1669B uses 2 as Transitional Uprights</i>
(B Neo)	Striker Side Neo Corner Upright	.1
(C)	Threshold	.1
(I)	Header	.1
(CCH)	Header Cap	.1
(CCT)	Threshold Cap	.1
(D/F)Factory Installed Door /Frame & Pivot Upright	Glass Door, (D) Door Frame, (F) Pivot Side Neo Corner Upright (1), (G) Pivot Assembly, Pivot Assemblies, (Q) Vinyl Tube for Pivot	.1
(J)	Bottom Door Frame	.1
(K)	Drip Pan	.1
(L)	Drip Pan Vinyl Sweep	.1
(M)	Vinyl Liner for Door Frame	.1
(N)	Foam Strip for Drip Pan	.1
(E)	Door Handle	.1
(O)	Black Rubber Gasket (Handle)	.1
(P)	Bulb Vinyl	.1
(R)	1 1/4 x 8 Flathead Screws	.8
(SH)	1/2 x 6 Panhead Screws (for Header & Threshold)	.6 or 8
(V)	Plastic Wall mount Anchors	.6
(W)	Magnet/Striker for Handle and Frame	.1 each <i>One Magnet and One Magnetic Striker</i>
(X)	Thick Vinyl Shims	.4
(ZV)	Glazing Gaskets for Vertical Sides Glass	.roll
(ZH)	Glazing Gaskets for Horizontal Sides Glass	.roll
BUTTRESS UNIT PARTS:		
(A3)	Buttress Corner Channel Upright	.2 <i>Models 1669B Use with Upright A</i>
(CB)	Buttress Threshold	.2 <i>(Note the Buttress unit Door and pivot upright are factory assembled using the Pivot Side Channel Upright (FB).)</i>
(S)	3/8 x 8 Panhead Screws (Buttress units)	.6

Tools required for this job:

- Tape measure
- 3/16" carbide tipped masonry drill bit
- #32 drill bit
- Drill
- Level
- Flat head screwdriver
- Phillips head screwdriver
- Hack saw
- File for removal of burrs
- Silicone caulk (clear provided)
- Caulking gun (optional)

- Mineral spirits or turpentine
- Also recommended:**
- Low tack or masking tape for holding parts in place for preassembly
- Center punch or awl for marking parts
- Pencil