

Centec Pivot Shower Door

Installation Instructions

INSTALLATION STEPS:

See Enlarged View of each Step on other side

Step 1: Measure, cut and fit Threshold. After drilling mounting holes for uprights apply Silicone Caulk at each end of Threshold at the wall before installing uprights.

Step 2: Level, drill and install Outer Wall Channel Uprights to wall.

Step 3: Install sidelight glass panels with thick vinyl shims (See Step #3 drawing on reverse side) at each corner as shown in wall channel and transition channel. NOTE glass inserts only halfway into any wall channel.)

Vertical Glazing -- Measure the thin Rubber Glazing Gaskets (ZV) for the vertical sides of the sidelight glass with a inch or two extra. From the top, insert between glass and channel. Trim at bottom. DO NOT STRETCH RUBBER, leave long so it won't contract after installation.

Step 4: Install Inner Striker Upright (Do not screw into place until after final tests, step 9.)

Step 5: Install lower door frame on door. Step 6: Assemble Magnetic/striker in handle extrusion (6a). Locate matching magnet in striker extrusion. Cut, fit and install Lower Bulb Vinyl with magnet above (6b). Install top Bulb Vinyl (6c). Test with door handle in temporary position on glass door. Install door handle in final position. Adjust striker/magnetic pull.

Step 7: Cut, fit and install Header to the wall channels.

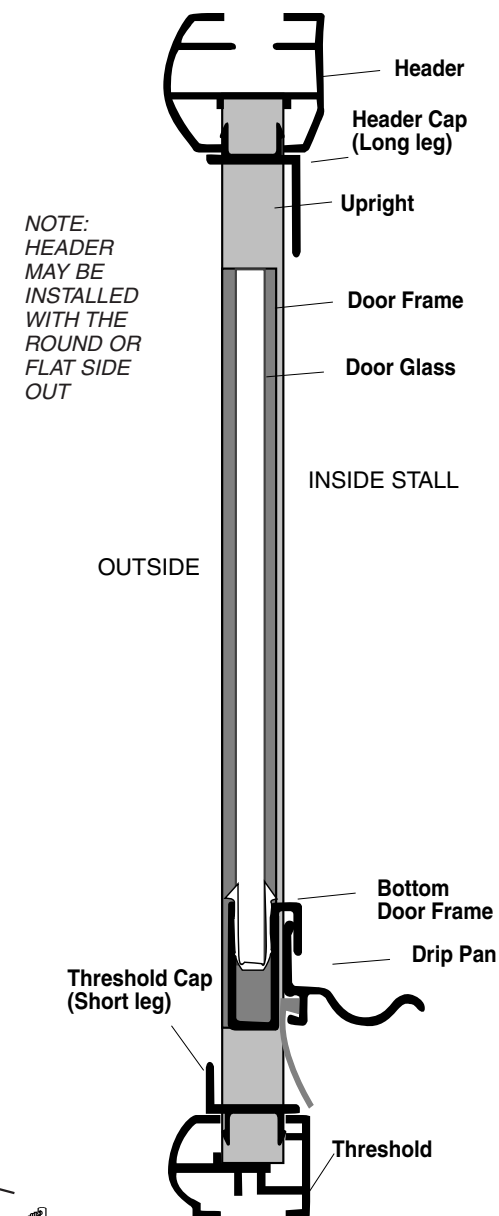
Step 8: Install Door with Pivot Assembly by sliding Inner Upright into the Outer Upright. Be sure the door swings out. (Pivot Assemblies, the Vinyl Tube and the Inner Pivot Upright are supplied assembled and installed on the Pivot Door Frame from the factory.) Do not screw into place until after final tests, step 9.)

Step 9: Test door. Adjust inner uprights if necessary. Drill and screw Uprights, Header and Threshold.

Step 10: Cut, fit and install Threshold caps. (Long leg is Header Cap). Horizontal Glazing --Measure the larger rubber glazing gaskets (ZH) for the horizontal seal. Insert between both the Threshold and Header to seal.

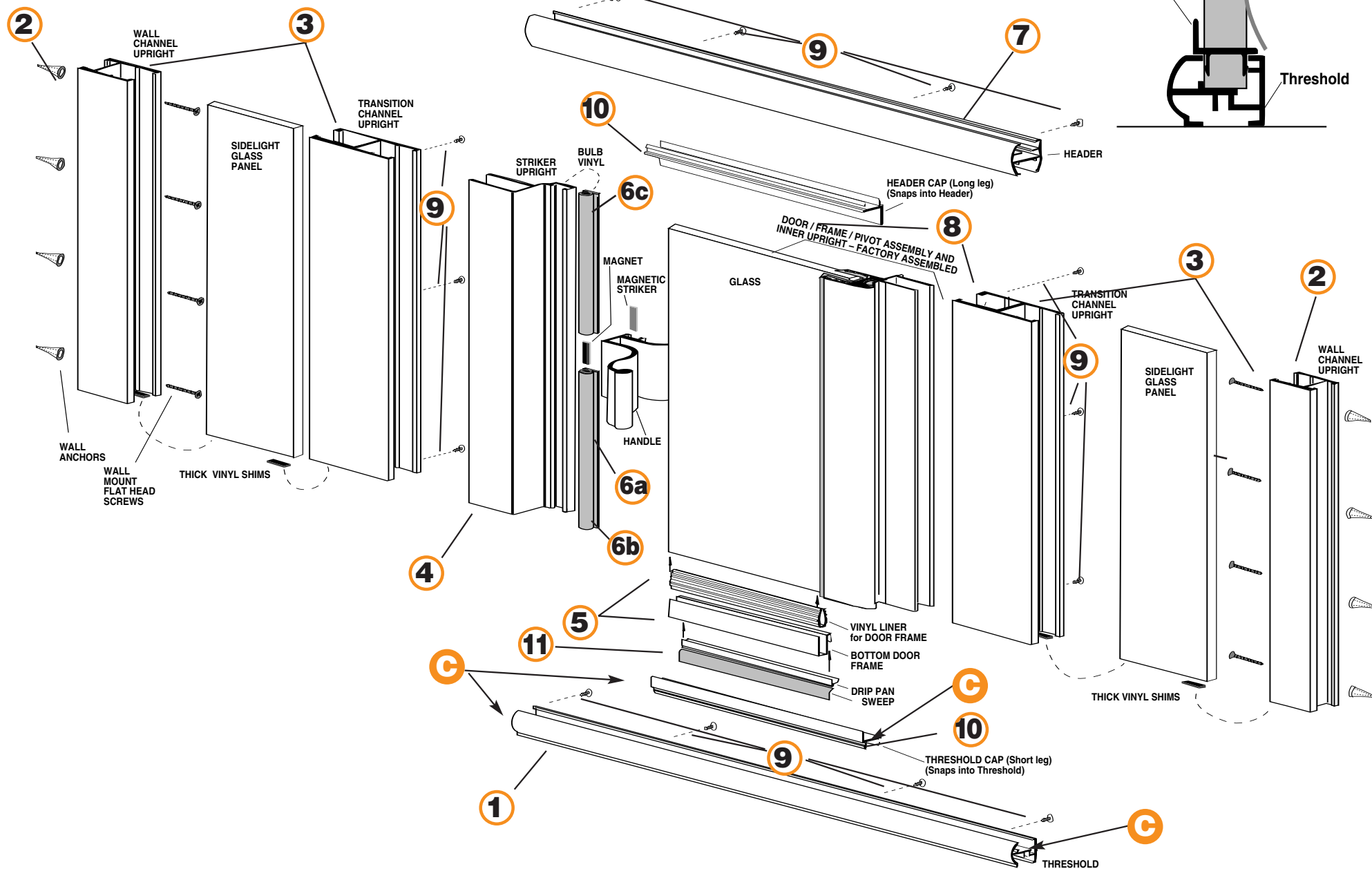
Step 11: Cut, file smooth and fit Drip Pan onto lower Door Frame. Install Sweep.

Step 12: FINAL CAULKING -- After installation is complete be sure to caulk all threshold and wall mounts from the inside of the unit where they contact walls or buttresses.

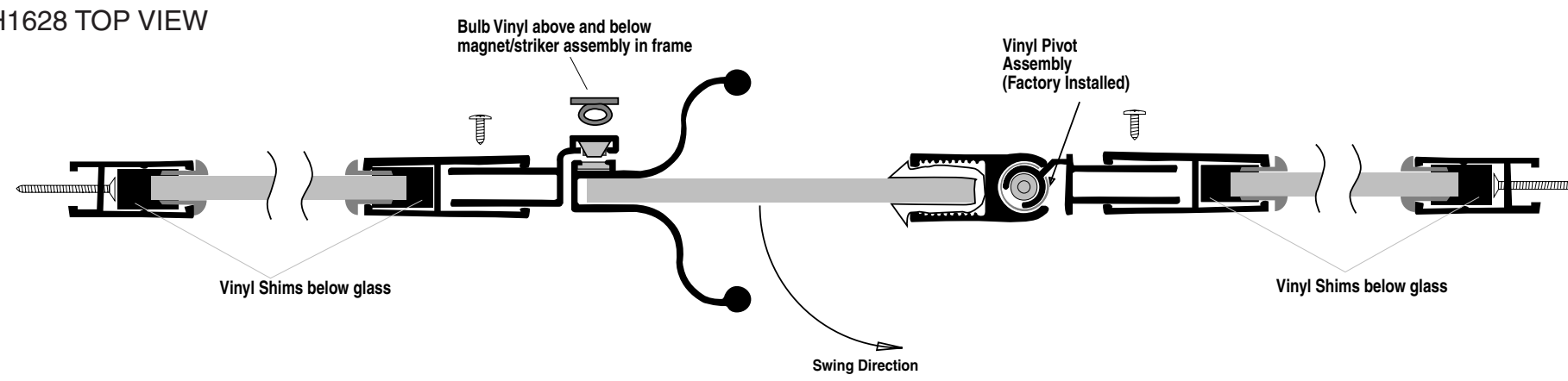


NOTE: HEADER MAY BE INSTALLED WITH THE ROUND OR FLAT SIDE OUT

Model -1628 SINGLE DOOR WITH TWO SIDELIGHTS

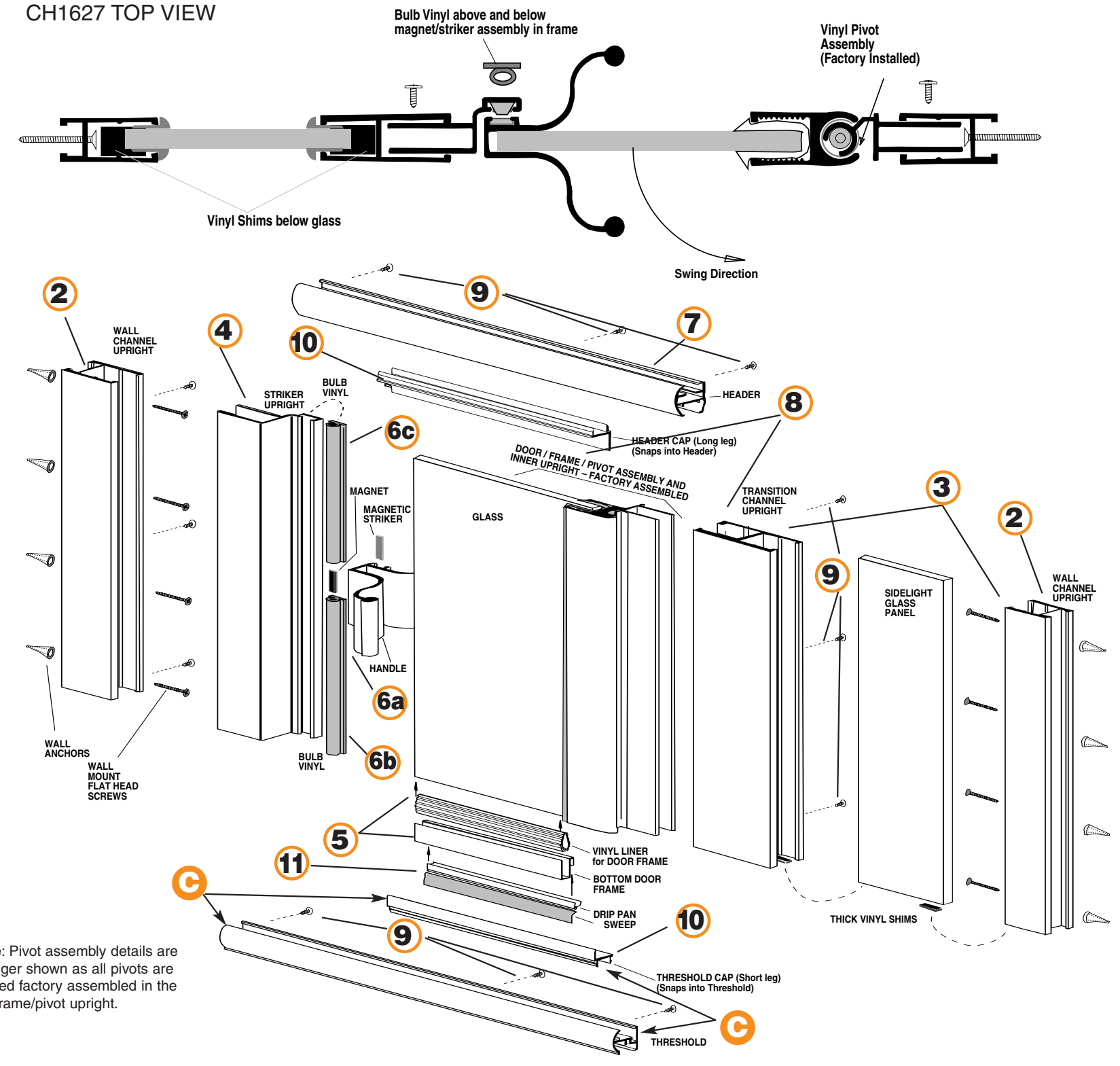


CH1628 TOP VIEW



Model -1627 SINGLE DOOR WITH ONE SIDELIGHT

CH1627 TOP VIEW



* Note: Pivot assembly details are no longer shown as all pivots are supplied factory assembled in the door frame/pivot upright.

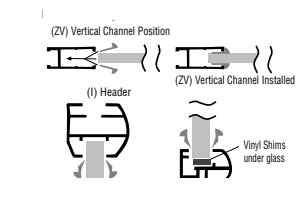
C IMPORTANT: Caulk here during installation as noted

IMPORTANT: To insure complete customer satisfaction Century Shower Door recommends installation by a professional installer.

Section or side view

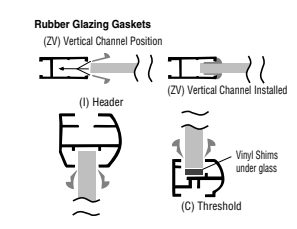
3 Step 3 vertical glazing

GLAZING INSTALLATION : Measure the thin Rubber Glazing Gaskets (ZV) for the vertical sides of the sidelight glass with a inch or two extra. From the top, insert between glass and channel. Trim at bottom.

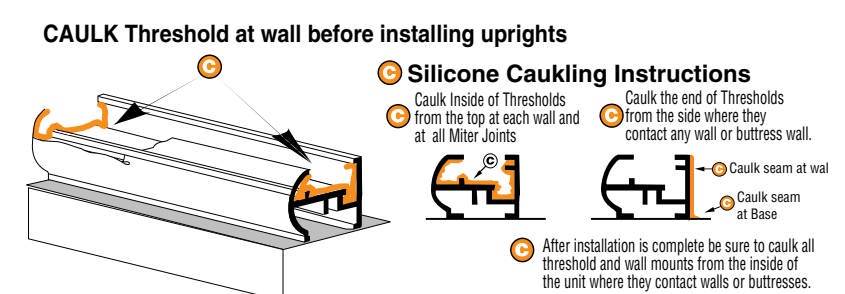


10 Step 10 Horizontal glazing

Measure the larger rubber glazing gaskets (ZH) for the horizontal seal. Insert between both the Threshold and Header to seal.



1 Step 1: Special Threshold Caulking



Tools Required: Ruler, Level, Phillips Head Screwdriver, Hack Saw, Electric Drill, 3/16" Carbide Tipped Masonry Drill Bit, No. 32 Metal Cutting Drill Bit.

****important:** Before starting, please read instructions carefully and thoroughly; then proceed step by step.

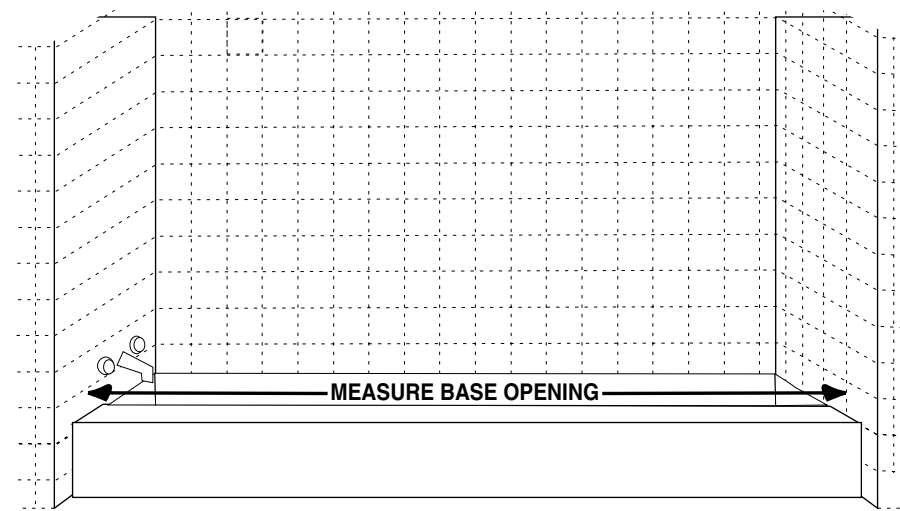
Please carefully unpack all parts for your unit and check that you have all the hardware as listed on back. If any parts are missing or damaged, please refer to the item letter and description as shown below when contacting Century or your dealer for replacements.

CAUTION: When drilling through tile, carefully break through glazed surface only with sharp tool or center punch, then drill slowly with 3/16" carbide tipped drill.

NOTICE: Please wear safety glasses whenever drilling or cutting tile or metal parts.

IMPORTANT NOTE: Wall Uprights must be installed level and plumb. Do not follow grout lines.

STEP 1 Check & Fit Threshold to opening. Caulk Ends.



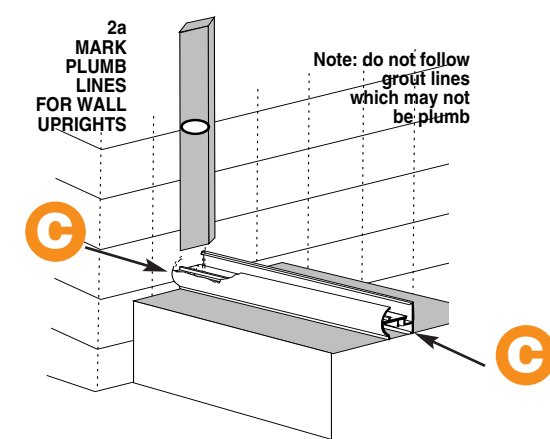
Step 1: Installation of Threshold

These installation instructions are based on the typical requirements for an enclosure with the usual tile and wall conditions. All parts are to the dimensions that you have submitted. The out of plumb variable for this unit is 1/4" maximum for out of plumb and out of level.

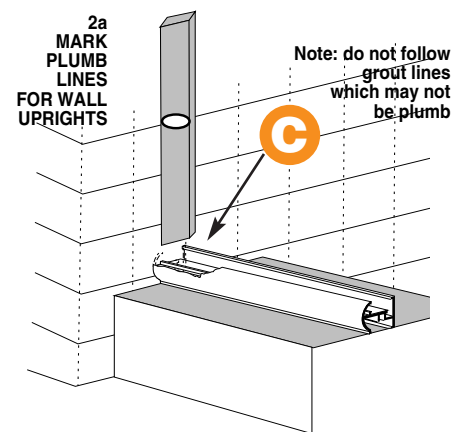
Measure shower door opening at base and cut Threshold (C) to fit snugly. Check fit. After drilling mounting holes for uprights Silicone Caulk bottom and ends of Threshold and place on base.

Caution: The round side of threshold must face to the outside of shower; this permits water to drain back into the shower.

STEP 2 Measure, mark and drill uprights.



Caulk Uprights

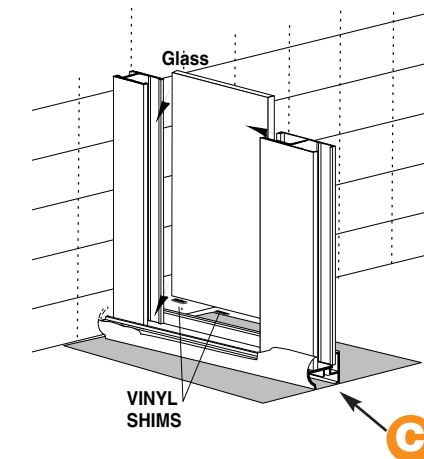


Step 2: Outer Wall Mounts: After the Threshold (C) is installed, place the Outer Wall Channel Uprights (A) (left and right) against wall resting on Threshold. You must align both Uprights vertically plumb and parallel. When the wall channel is plumb (use a level) mark the holes on wall. When setting the position, rest uprights on the Threshold.

Remove Uprights and drill holes in the wall with 3/16" carbide-tipped masonry bit. Insert plastic wall anchors into holes. Lightly tap them flush to the tile; this will help eliminate cracking the tile when screws expand the anchors. Caulk threshold / tile seam and the base of the Outer Wall Channel Uprights where they meet the threshold before screw mounting these upright to the wall. Screw Outer Wall Channel Uprights into position with your predrilled holes and mount to wall with 1 1/4" x 8 flathead screw (R).

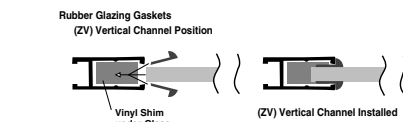
Step by Step Installation Instructions Centec Pivot Shower Door

STEP 3 Install Sidelight Panel (s)

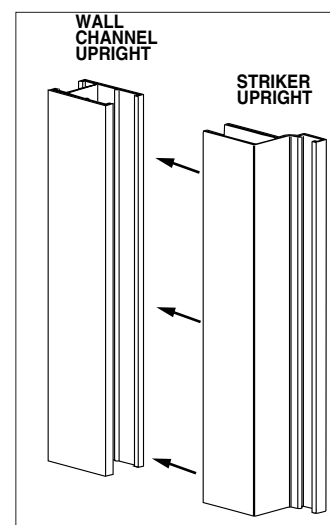


Step 3: Place Thick Vinyl Shims (X) in position on Threshold completely inside the Wall Channel and/or Corner Channel to cushion the bottom of the Glass sidelight panel. Place glass on on shims on threshold not more than halfway inside the wall channel. Insert Corner Channel (A2) over the glass halfway into channel - **NOTE** Glass sidelights should only insert halfway into any upright..

Vertical Glazing - Measure the thin Rubber Glazing Gaskets (ZV) for the vertical sides of the sidelight glass with a inch or two extra. From the top, insert between glass and channel. Trim at bottom. **DO NOT STRETCH RUBBER**, leave long so it won't contract after installation.

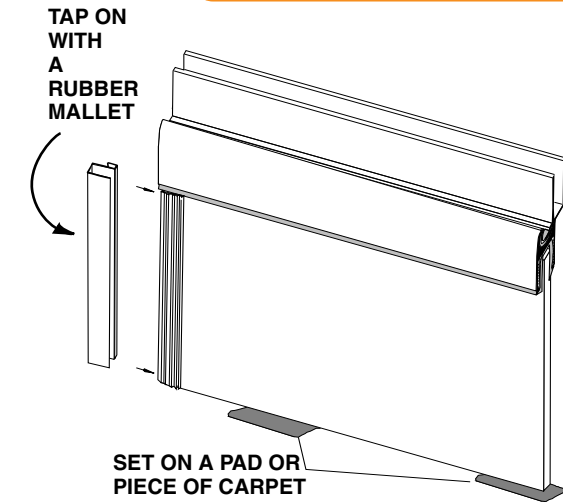


STEP 4 Install Pivot Upright



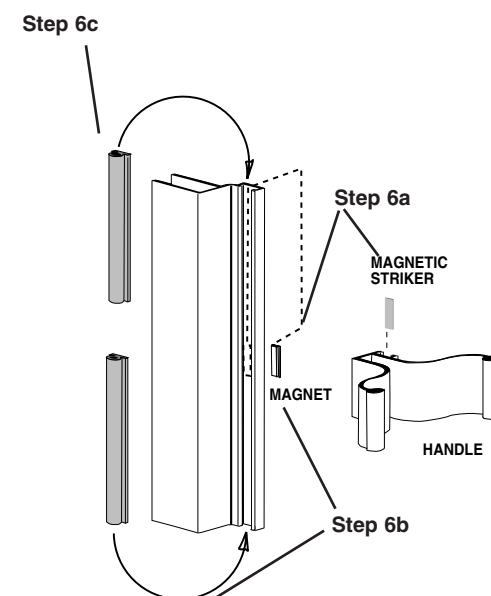
Step 4: Insert the inner Striker Upright (B) into the proper Outer Wall Channel Upright as determined by the door swing. Tape into place. (Do not screw into place until last step.)

STEP 5 Install Bottom Door Frame



Step 5: After confirming the swing of the door label outside of door. Slide Vinyl Liner (M) on bottom of door. Tap Bottom Door Frame (J) gently onto vinyl making sure lip for the Drip Pan is on inside of door. (Drip Pan is installed as Step 11.)

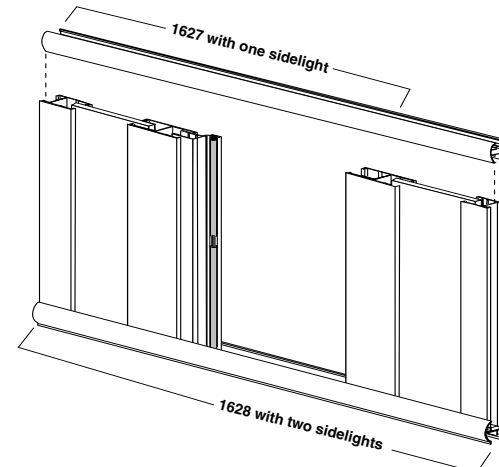
STEP 6 Assemble Handle



Step 6: Slide Magnet (W) into extrusion channel on the Striker Upright and magnetic striker into Handle (E). Slip Handle onto door without rubber gasket and tape into place. Align Magnet and Striker and mark position (6a). Cut bottom piece of Bulb Vinyl Strip (P) to fit below. Reinsert Magnet and Bulb Vinyl into Inner Striker Channel (B) (Step 6b). Cut Bulb Vinyl (P) to fit above Magnet (W) and slide in from top of the Upright (6c). Final installation of Handle onto the door is completed using the Black Rubber Gasket (O) that creates a very tight fit to hold it in place. Wrap Black Rubber Gasket over edge of glass door in marked handle location. Place handle over it and tap onto door. Trim any gasket that shows. Test magnetic contact and if too strong adjust by moving the magnetic striker to decrease pull. Put a small amount of silicone on the bottom of the handle to fix magnetic striker in place.

NOTE: magnets are fragile and breakable. Do Not Drop.

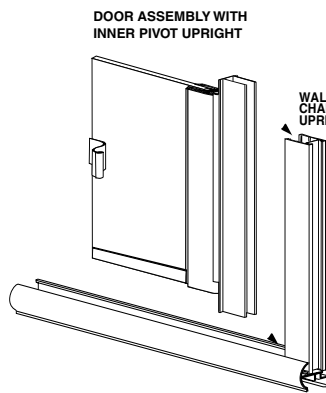
STEP 7 Measure and Cut Header



Step 7: Cut Header to fit and put on top of unit and attach with 2 1/2 x 6 pan-head screws. Once door is fully adjusted and working, screw Threshold (C) to both uprights from rear of unit with 1/2 x 6 panhead screws. (**Note:** Header offers the option of installation with round or flat side out.)

(NOTE: for the CH1627 unit there will only be one sidelight.)

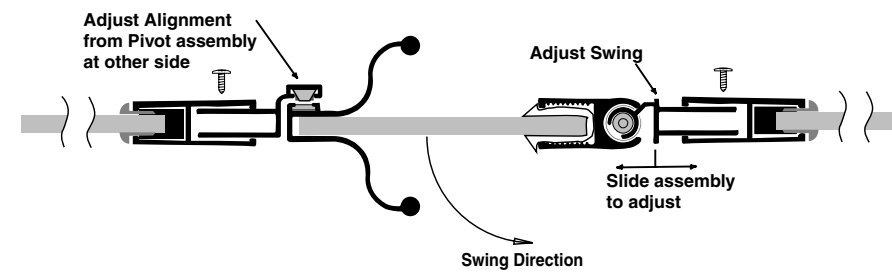
STEP 8 Install Pivot Upright



Step 8: Install Door/Pivot Upright Assembly into the Channel Upright. Be sure door swings out. Clamp or Tape into place. (Do not screw into place until last step.)

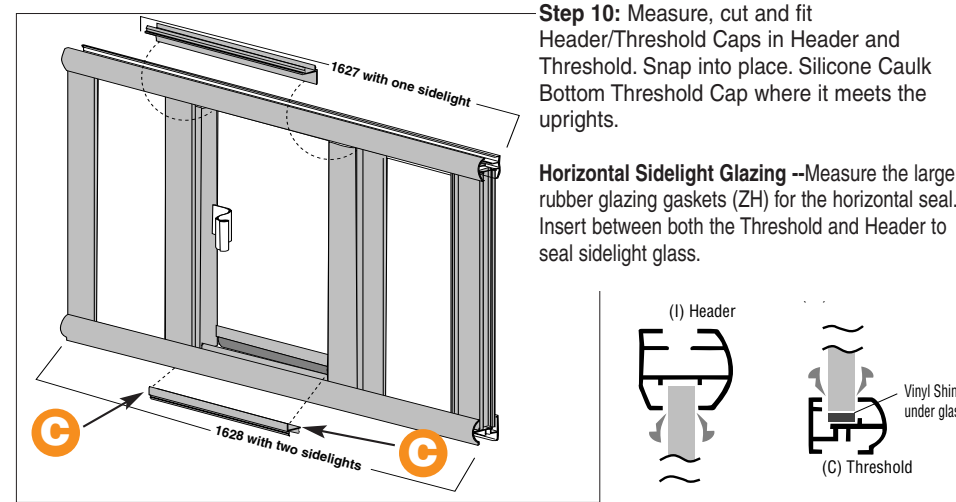
Note: The Vinyl Tube (Q), Pivot Assembly (G), Inner Pivot Upright (D) are supplied factory assembled and inserted into the Door Frame extrusion (D).

STEP 9 Test Door Swing and Adjust



Step 9: With the Header in place test door swing and adjust from the Inner Striker Upright (B) and/or the Door/Pivot Upright Assembly (D/F) to obtain the proper clearance. Once the door is fully adjusted and working fix the pivot and striker Uprights by drilling mounting holes through the Channel Uprights into the Inner Uprights with #32 drill bit. Fix assembly using 3/8 x 6 pan head screws. After the vertical members are fixed attach Header (flat side) and Threshold to these uprights with 1/2 x 6 Panhead Screws.

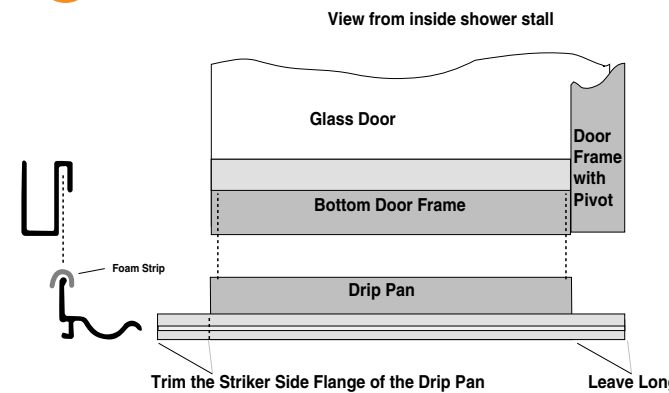
STEP 10 Measure and Cut Header/Threshold Caps



Step 10: Measure, cut and fit Header/Threshold Caps in Header and Threshold. Snap into place. Silicone Caulk Bottom Threshold Cap where it meets the uprights.

Horizontal Sidelight Glazing - Measure the larger rubber glazing gaskets (ZH) for the horizontal seal. Insert between both the Threshold and Header to seal sidelight glass.

STEP 11 Measure, Cut and Install the Drip Pan & Sweep



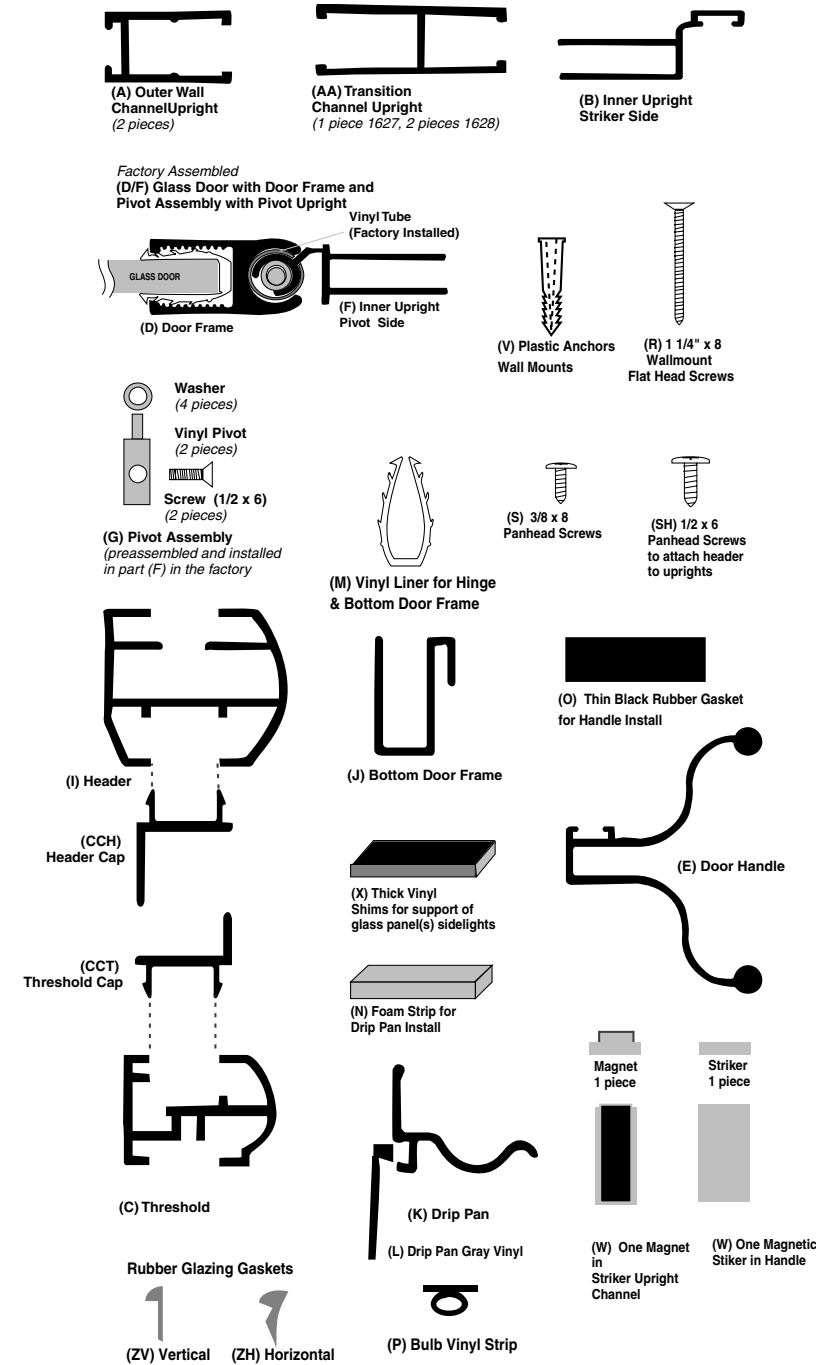
Step 11: Drip Pan is supplied for either door swing. Trim the extra length of Drip Pan (K) that would be on the striker side of the door when installed (as viewed from the inside of the stall). Leave Drip Pan long on the pivot side of door. File the cut smooth and round the cut edge. Cut small piece of Foam Strip (N) into 2 pieces and place over the top of the vertical leg of the drip pan. Slide Drip Pan Vinyl Sweep (L) into drip pan as shown. Slide drip pan into lip on Bottom Door Frame (J) section of door and adjust as needed to provide a slight horizontal tilt to the drip pan (with the low side toward the hinge side of the door) so that the water runs back into the shower. Run a bead of silicone on back edge of drip pan to secure drip pan to door.

STEP 12: FINAL CAULKING
On Completion of Assembly and Installation Additional Caulking:

Caution: Silicone entire inside of the unit where it meets the wall and the base to prevent water leakage.

Century Bathworks, Inc., Model CH 1627/CH1628
Installation Parts Inventory for Centec Pivot Shower Door

Please carefully unpack all parts for your unit and check that you have all the hardware as listed below. If any parts are missing or damaged, please refer to the item letter and description as shown below when contacting Century or your dealer for replacements.



Letter	Part Name	Quantity
(A)	Outer Wall Channel Upright	2
(AA)	Transition Channel -- Model 1627	1
	Model 1628	2
(B)	Striker Side Inner Upright	1
(C)	Threshold	1
(CCH)	Header Cap	1
(CCT)	Threshold Cap	1
(D/F)	Factory Installed Door /Frame & Pivot Upright	1
	(D) Door Frame Pivot Side (1)	
	(F) Pivot Side Inner Upright (1)	
	(G) Pivot Assembly (Factory Installed) (2)	
	Vinyl Uprights (2), Washers (4), Screws (2)	
	(Q) Vinyl Tube for Pivot (1)	
(E)	Door Handle	1
(I)	Header	1
(J)	Bottom Door Frame	1
(K)	Drip Pan	1
(L)	Drip pan Vinyl Sweep	1
(M)	Vinyl Liner for Door Frame	1
(N)	Foam Strip for Drip Pan	1
(O)	Black Rubber Gasket (Handle)	1
(P)	Bulb Vinyl	1
(R)	1 1/4 x 8 Flathead Screws	6
(S)	3/8 x 8 Panhead Screws	3 or 6
(SH)	1/2 x 6 Panhead Screws (for Header)	6 or 8
(V)	Plastic Wall mount Anchors	6
(W)	Magnet/Striker for Handle and Frame	2
(X)	One Magnet and One Magnetic Striker	1 or 2
(ZV)	Thick Vinyl Shims for Vertical Glazing Gaskets	roll
(ZH)	Glazing Gaskets for Horizontal Sides Glass	roll

Tools required for this job:

- Tape measure
- 3/16" carbide tipped masonry drill bit
- #32 drill bit
- Drill
- Level
- Flat head screwdriver
- Phillips head screwdriver
- Hacksaw
- File for removal of burrs
- Silicone caulk (clear provided)
- Caulking gun (optional)
- Mineral spirits or turpentine

Also recommended:

- Low tack or masking tape for holding parts in place for preassembly
- Center punch or awl for marking parts
- Pencil